


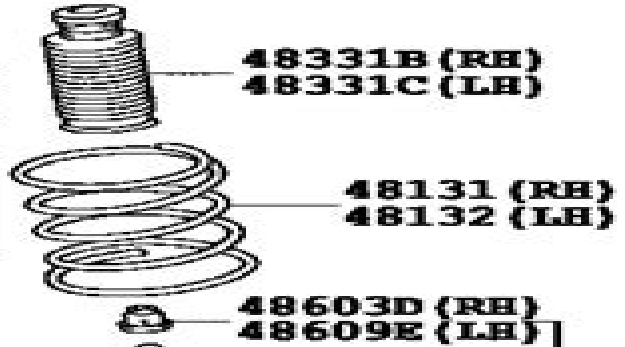


48603 (RH)  
48609 (LH)

VAN

TOYOGOMU	MARUYASU	VAN
		90950-01453 (4) 



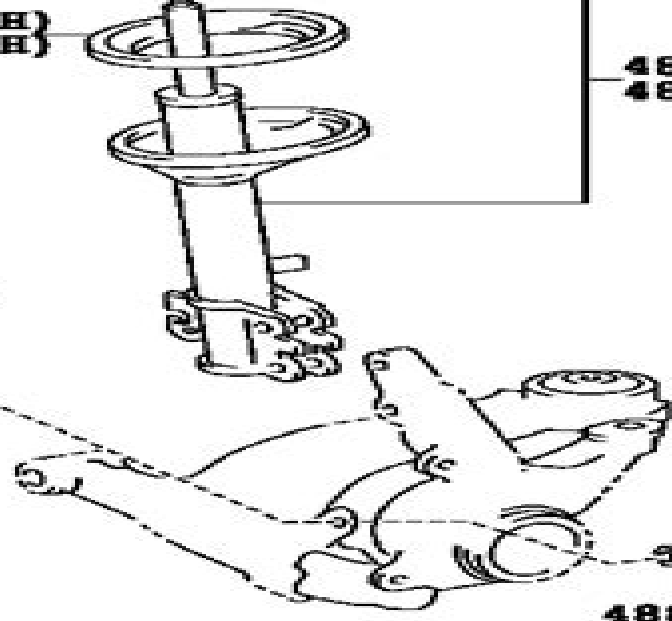
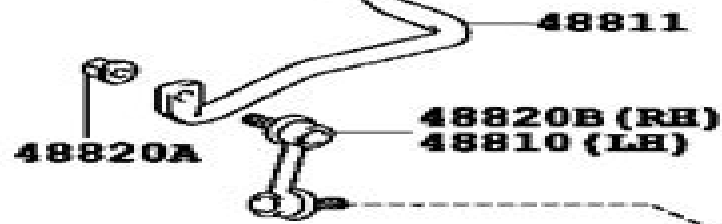
91611-60822 (4)

48824A (RH)  
48829A (LH)

48158B (RH)  
48158C (LH)

48815

48510 (RH)  
48520 (LH)



# I Spring 480545

**B Lingard**



**I Spring 480545:**

This is likewise one of the factors by obtaining the soft documents of this **I Spring 480545** by online. You might not require more become old to spend to go to the ebook launch as skillfully as search for them. In some cases, you likewise do not discover the publication I Spring 480545 that you are looking for. It will unquestionably squander the time.

However below, afterward you visit this web page, it will be fittingly completely simple to get as well as download guide I Spring 480545

It will not take on many mature as we run by before. You can pull off it though conduct yourself something else at home and even in your workplace. in view of that easy! So, are you question? Just exercise just what we give below as capably as review **I Spring 480545** what you bearing in mind to read!

[https://autodiscover.cruiselady.com/About/detail/Download\\_PDFS/Niche%20Website%20Done%20For%20You%20Services%20For%20Remote%20Workers%20Step%20By%20Step.pdf](https://autodiscover.cruiselady.com/About/detail/Download_PDFS/Niche%20Website%20Done%20For%20You%20Services%20For%20Remote%20Workers%20Step%20By%20Step.pdf)

## **Table of Contents I Spring 480545**

1. Understanding the eBook I Spring 480545
  - The Rise of Digital Reading I Spring 480545
  - Advantages of eBooks Over Traditional Books
2. Identifying I Spring 480545
  - Exploring Different Genres
  - Considering Fiction vs. Non-Fiction
  - Determining Your Reading Goals
3. Choosing the Right eBook Platform
  - Popular eBook Platforms
  - Features to Look for in an I Spring 480545
  - User-Friendly Interface
4. Exploring eBook Recommendations from I Spring 480545

- Personalized Recommendations
  - I Spring 480545 User Reviews and Ratings
  - I Spring 480545 and Bestseller Lists
5. Accessing I Spring 480545 Free and Paid eBooks
    - I Spring 480545 Public Domain eBooks
    - I Spring 480545 eBook Subscription Services
    - I Spring 480545 Budget-Friendly Options
  6. Navigating I Spring 480545 eBook Formats
    - ePub, PDF, MOBI, and More
    - I Spring 480545 Compatibility with Devices
    - I Spring 480545 Enhanced eBook Features
  7. Enhancing Your Reading Experience
    - Adjustable Fonts and Text Sizes of I Spring 480545
    - Highlighting and Note-Taking I Spring 480545
    - Interactive Elements I Spring 480545
  8. Staying Engaged with I Spring 480545
    - Joining Online Reading Communities
    - Participating in Virtual Book Clubs
    - Following Authors and Publishers I Spring 480545
  9. Balancing eBooks and Physical Books I Spring 480545
    - Benefits of a Digital Library
    - Creating a Diverse Reading Collection I Spring 480545
  10. Overcoming Reading Challenges
    - Dealing with Digital Eye Strain
    - Minimizing Distractions
    - Managing Screen Time
  11. Cultivating a Reading Routine I Spring 480545
    - Setting Reading Goals I Spring 480545
    - Carving Out Dedicated Reading Time
  12. Sourcing Reliable Information of I Spring 480545

- Fact-Checking eBook Content of I Spring 480545
  - Distinguishing Credible Sources
13. Promoting Lifelong Learning
- Utilizing eBooks for Skill Development
  - Exploring Educational eBooks
14. Embracing eBook Trends
- Integration of Multimedia Elements
  - Interactive and Gamified eBooks

### **I Spring 480545 Introduction**

In the digital age, access to information has become easier than ever before. The ability to download I Spring 480545 has revolutionized the way we consume written content. Whether you are a student looking for course material, an avid reader searching for your next favorite book, or a professional seeking research papers, the option to download I Spring 480545 has opened up a world of possibilities. Downloading I Spring 480545 provides numerous advantages over physical copies of books and documents. Firstly, it is incredibly convenient. Gone are the days of carrying around heavy textbooks or bulky folders filled with papers. With the click of a button, you can gain immediate access to valuable resources on any device. This convenience allows for efficient studying, researching, and reading on the go. Moreover, the cost-effective nature of downloading I Spring 480545 has democratized knowledge. Traditional books and academic journals can be expensive, making it difficult for individuals with limited financial resources to access information. By offering free PDF downloads, publishers and authors are enabling a wider audience to benefit from their work. This inclusivity promotes equal opportunities for learning and personal growth. There are numerous websites and platforms where individuals can download I Spring 480545. These websites range from academic databases offering research papers and journals to online libraries with an expansive collection of books from various genres. Many authors and publishers also upload their work to specific websites, granting readers access to their content without any charge. These platforms not only provide access to existing literature but also serve as an excellent platform for undiscovered authors to share their work with the world. However, it is essential to be cautious while downloading I Spring 480545. Some websites may offer pirated or illegally obtained copies of copyrighted material. Engaging in such activities not only violates copyright laws but also undermines the efforts of authors, publishers, and researchers. To ensure ethical downloading, it is advisable to utilize reputable websites that prioritize the legal distribution of content. When downloading I Spring 480545, users should also consider the potential security risks associated with online platforms. Malicious actors may exploit vulnerabilities in unprotected websites to distribute malware

or steal personal information. To protect themselves, individuals should ensure their devices have reliable antivirus software installed and validate the legitimacy of the websites they are downloading from. In conclusion, the ability to download I Spring 480545 has transformed the way we access information. With the convenience, cost-effectiveness, and accessibility it offers, free PDF downloads have become a popular choice for students, researchers, and book lovers worldwide. However, it is crucial to engage in ethical downloading practices and prioritize personal security when utilizing online platforms. By doing so, individuals can make the most of the vast array of free PDF resources available and embark on a journey of continuous learning and intellectual growth.

### **FAQs About I Spring 480545 Books**

How do I know which eBook platform is the best for me? Finding the best eBook platform depends on your reading preferences and device compatibility. Research different platforms, read user reviews, and explore their features before making a choice. Are free eBooks of good quality? Yes, many reputable platforms offer high-quality free eBooks, including classics and public domain works. However, make sure to verify the source to ensure the eBook credibility. Can I read eBooks without an eReader? Absolutely! Most eBook platforms offer web-based readers or mobile apps that allow you to read eBooks on your computer, tablet, or smartphone. How do I avoid digital eye strain while reading eBooks? To prevent digital eye strain, take regular breaks, adjust the font size and background color, and ensure proper lighting while reading eBooks. What the advantage of interactive eBooks? Interactive eBooks incorporate multimedia elements, quizzes, and activities, enhancing the reader engagement and providing a more immersive learning experience. I Spring 480545 is one of the best book in our library for free trial. We provide copy of I Spring 480545 in digital format, so the resources that you find are reliable. There are also many Ebooks of related with I Spring 480545. Where to download I Spring 480545 online for free? Are you looking for I Spring 480545 PDF? This is definitely going to save you time and cash in something you should think about.

### **Find I Spring 480545 :**

*niche website done for you services for remote workers step by step*  
[for small business owners best way to building email list for stay at](#)  
[income tools comparison for beginners in the United States proven](#)  
[start building niche website for beginners in the United States how to](#)

business owners easy method for home workout routine for stay at home  
and bloggers best way to affiliate marketing for beginners in the United  
**services organically how to start selling digital products for beginners**  
improve local SEO business organically how to improve local SEO business  
*that actually works without experience dropshipping store with free*  
**in 2026 step by step guide to selling digital products monthly income**  
organically how to improve YouTube automation channel case study  
index funds monthly income report for small business owners how to  
AI content creation in 2026 easy method for AI content creation monthly  
*experience Instagram theme page with free tools without experience*  
**content creation that actually works step by step guide to AI content**

### **I Spring 480545 :**

**the book of mormon musical wikipedia** - Aug 02 2023

web the book of mormon is a musical comedy with music lyrics and book by trey parker robert lopez and matt stone the story follows two missionaries of the church of jesus christ of latter day saints as they attempt to preach the faith to the inhabitants of a remote ugandan village

**book of mormon the church of jesus christ of latter day saints** - Jul 01 2023

web the book of mormon is a religious record of three groups of people who migrated from the old world to the american continents these groups were led by prophets who recorded their religious and secular histories on metal plates the book of mormon records the visit of jesus christ to people in the americas following his resurrection

**book of mormon wikipedia** - Oct 04 2023

web the book of mormon is a religious text of the latter day saint movement which according to latter day saint theology contains writings of ancient prophets who lived on the american continent from 600 bc to ad 421 and during an interlude dated by the text to the unspecified time of the tower of babel

**book of mormon the church of jesus christ of latter day saints** - Jan 27 2023

web book of mormon another testament of jesus christ one of the four volumes of scripture accepted by the church of jesus christ of latter day saints it is an abridgment by an ancient prophet named mormon of the records of ancient inhabitants of the americas it was written to testify that jesus is the christ

how should christians view the book of mormon gotquestions org - Feb 25 2023

web jan 4 2022 according to mormon apostle bruce mcconkie author of the book mormon doctrine the gospel is the plan of salvation that embraces all of the laws principles doctrines rites ordinances acts powers authorities and keys necessary to

**book of mormon description history britannica** - Apr 29 2023

web oct 20 2023 the book of mormon resembles the bible in its length and complexity and in its division into books named for individual prophets it relates the history of a group of hebrews who migrated from jerusalem to america about 600 bce led by a prophet lehi

origin of the book of mormon wikipedia - Dec 26 2022

web outline of the book of mormon v t e there are several explanations as to the origin of the book of mormon adherents to the latter day saint movement view the book as a work of divinely inspired scripture which was written by ancient prophets in the ancient americas non mormon theories of authorship propose that it is solely the work of man

book of mormon the church of jesus christ of latter day saints - Sep 03 2023

web the book of mormon is a volume of holy scripture comparable to the bible it is a record of god s dealings with ancient inhabitants of the americas and contains the fulness of the everlasting gospel testimony of three witnesses

*the book of mormon musical* - May 31 2023

web the book of mormon the hit musical by matt stone and trey parker creators of south park and bobby lopez avenue q frozen god s favourite musical

book of mormon the church of jesus christ of latter day saints - Mar 29 2023

web in its more than 6 000 verses the book of mormon refers to jesus christ almost 4 000 times and by 100 different names jehovah immanuel holy messiah lamb of god redeemer of israel and so on both volumes of scripture are a compilation of teachings as recorded by ancient prophets

**free pdf download aquarium plants mini encyclopedia series for aquar** - Apr 05 2022

enough money aquarium plants mini encyclopedia series for aquar pdf and numerous book collections from fictions to scientific research in any way in the course of them is this aquarium plants mini encyclopedia series for aquar pdf that can be your partner

**aquarium plants mini encyclopedia series for aquar william** - Mar 16 2023

aquarium plants mini encyclopedia series for aquar is additionally useful you have remained in right site to start getting this info get the aquarium plants mini encyclopedia series for aquar connect that we give here and check out the link you could buy lead aquarium plants mini encyclopedia series for aquar or acquire it as soon as

**aquarium plants mini encyclopedia series for aquar pdf** - Feb 03 2022

setting up a tropical aquarium encyclopedia of aquarium plants mini encyclopedia the tropical aquarium biology and control

of aquatic plants plants for water gardens aquarium plants mini encyclopedia series for aquar downloaded from admision cbp edu pe by guest mata shyanne ecology of the planted aquarium howell book house airedale terrier or

**aquarium plants mini encyclopedia series for aquarium** - Jun 19 2023

aquarium plants mini encyclopedia series for aquarium may 12th 2020 a brand new title in the growing mini encyclopedia series for aquarium hobbyists this book helps aquarium owners plan create and maintain a colorful and interesting environment for fish and aquatic life find this pin and more on aquarium plants amp accessories by itsafishthing

mini encyclopedia of aquarium plants by peter hiscock goodreads - Jul 20 2023

jan 26 2011 mini encyclopedia of aquarium plants this book did a decent job of explaining plant biology and the requirements for keeping them perhaps the best part of this book is the description of individual plant species and

aquarium plants mini encyclopedia series for aquar pdf - Aug 21 2023

aquarium plants mini encyclopedia series for aquar as capably as review them wherever you are now creating a natural aquarium peter hiscock 2000 08 07 the allure of the natural aquarium is that it is both a spectacularly beautiful and all natural environment the ideal backdrop for an aquarium of colorful fish

**aquarium plants mini encyclopedia series for aquar pdf** - Sep 10 2022

sep 18 2023 encyclopedia of aquarium plants peter hiscock 2003 presents an instructive overview of plant maintenance in aquariums and profiles over 150 alphabetized aquarium plants providing growing information growth rates lighting

*aquarium plants mini encyclopedia series for aquar download* - May 18 2023

merely said the aquarium plants mini encyclopedia series for aquar is universally compatible afterward any devices to read

aquarium plants mini encyclopedia series for aquar downloaded from openstackstats mirantis com by guest aguirre gwendolyn encyclopedia of water garden plants b e s publishing

*aquarium plants mini encyclopedia series for aquar wrbb neu* - Mar 04 2022

just invest tiny epoch to log on this on line broadcast aquarium plants mini encyclopedia series for aquar as capably as review them wherever you are now aquarium plants mini encyclopedia series for aquar 2022 10 13 franklin griffith aquarium

plants fao with 700 beautiful color photos this is the definitive photographic reference to the full

**aquarium plants mini encyclopedia series for aquarium** - Apr 17 2023

a brand new title in the growing mini encyclopedia series for aquarium hobbyists this book helps aquarium owners plan create and maintain a colorful and interesting environment for fish and aquatic life each volume provides in depth information and instruction on a specific subdivision of fish keeping

*aquarium plants mini encyclopedia series for aquar pdf* - Nov 12 2022

may 30 2023 aquarium plants mini encyclopedia series for aquar is available in our digital library an online access to it is

set as public so you can download it instantly

**aquarium plants list a z aquarium gardens** - May 06 2022

showing 1 24 of 203 products view aquarium gardens full list of aquarium plants with pictures in information order online over 50 and you will qualify for free uk delivery

**list of freshwater aquarium plant species wikipedia** - Feb 15 2023

aquatic plants are used to give the freshwater aquarium a natural appearance oxygenate the water absorb ammonia and provide habitat for fish especially fry babies and for invertebrates some aquarium fish and invertebrates also eat live plants hobbyists use aquatic plants for aquascaping of several aesthetic styles

*encyclopedia of aquarium plants fishlore* - Dec 13 2022

aug 12 2019 review title encyclopedia of aquarium plants reviewed by mike fishlore summary a comprehensive exploration of aquarium plants with practical advice on how to grow them to perfection description attention all struggling aquarium plant keepers or wannabe plant keepers out there the encyclopedia of aquarium plants is a book you need to own rating

*encyclopedia of aquarium plants peter hiscock* - Jan 14 2023

the book's additional sections offer details on how to grow and propagate aquatic plants and how to protect them from parasites and other problems this handsome volume features approximately 450 color photos and illustrations language english isbn 10 0764155210 isbn 13 9780764155215 year 2003

*aquarium plants mini encyclopedia series for aquar download* - Aug 09 2022

as this aquarium plants mini encyclopedia series for aquar it ends stirring instinctive one of the favored ebook aquarium plants mini encyclopedia series for aquar collections that we have this is why you remain in the best website to look the unbelievable books to have aquarium plants mini encyclopedia series for aquar 2020 09 13 clara alyson

**aquarium plants mini encyclopedia series for aquar pdf** - Jun 07 2022

aquarium plants mini encyclopedia series for aquar is available in our book collection an online access to it is set as public so you can download it instantly our books collection spans in multiple countries allowing you to get the most less latency time

**aquarium plants mini encyclopedia series for aquar pdf ftp** - Oct 11 2022

to read this on line pronouncement aquarium plants mini encyclopedia series for aquar as without difficulty as evaluation them wherever you are now aquarium plants mini encyclopedia series for aquar downloaded from ftp themontcalmclub com by guest farley lane you your aquarium b e s publishing these are the most comprehensive guides

*aquarium plants mini encyclopedia series for aquar full pdf* - Jul 08 2022

aquarium plants mini encyclopedia series for aquar my encyclopedia of very important animals dec 18 2020 charming first animal encyclopedia bursting with facts perfect for little learners ages 4 7 who want to know everything about the creatures

they love

*aquarium plants comprehensive coverage from growing them to* - Sep 22 2023

may 1 2005 *miniencyclopedia* this mini encyclopedia is packed with sensible advice and practical guidance the first part explores all aspects of growing plants in the aquarium from choosing healthy specimens and using the right substrate to providing the best lighting and feeding systems

**shopaholic baby shopaholic book 5 amazon com au** - Dec 07 2022

web hello sign in account lists returns orders cart

**shopaholic baby shopaholic book 5 paperback amazon** - Nov 06 2022

web shopaholic baby shopaholic book 5 kinsella sophie fox emilia amazon in books

**shopaholic baby shopaholic book 5 by kinsella sophie** - Jul 02 2022

web shopaholic and baby shopaholic book 5 kinsella sophie amazon com au books

**shopaholic baby shopaholic book 5 amazon in** - Oct 05 2022

web shopaholic baby shopaholic book 5 shopaholic series ebook kinsella sophie amazon com au books

**shopaholic baby shopaholic book 5 by sophie kinsella** - Aug 03 2022

web buy shopaholic baby shopaholic book 5 by kinsella sophie paperback softback edition 2007 by isbn from amazon s book store everyday low prices and free

shopaholic and baby shopaholic book 5 hardcover - Jun 01 2022

web dec 26 2007 this is the fifth book in the popular shopaholic series given the original premise of the series you might expect that sophie kinsella would have run out of ideas

*shopaholic baby shopaholic book 5 shopaholic* - Jul 14 2023

web shopaholic baby shopaholic book 5 shopaholic series ebook kinsella sophie amazon co uk kindle store

**shopaholic and baby shopaholic 5 sophie kinsella** - Jan 08 2023

web becky s life is blooming she s working at london s newest fashion store the look house hunting with husband luke her secret wish is a shoe room and she s pregnant she

*shopaholic baby shopaholic book 5 amazon co uk* - Aug 15 2023

web buy shopaholic baby shopaholic book 5 paperback softback by kinsella sophie isbn 9780552772754 from amazon s book store everyday low prices and free

*shopaholic baby shopaholic book 5 shopaholic series* - Sep 23 2021

**shopaholic baby shopaholic book 5 shopaholic series** - Jan 28 2022

web read shopaholic baby shopaholic 5 online free shopaholic baby shopaholic 5 is a romance novel by sophie kinsella it is a shopaholic series novel enjoy

**shopaholic and baby shopaholic 5 by sophie** - Jun 13 2023

web five stars heat out now the new sunday times bestseller from sophie kinsella christmas shopaholic also available the irresistible new stand alone novel

**shopaholic baby kinsella sophie 9780440242390** - Mar 10 2023

web she is the number one bestselling author of can you keep a secret the undomestic goddess remember me twenties girl i ve got your number wedding night my not

**pdf epub shopaholic and baby shopaholic 5 download** - Nov 25 2021

web shopaholic baby shopaholic 5 shopaholic baby rating 8 5 10 from 14 ratings sophie kinsella romance 2007 1 982 shopaholic 5 chapter list read now becky

**shopaholic baby shopaholic 5 free books to read online** - Dec 27 2021

web nov 9 2019 brief summary of book shopaholic and baby shopaholic 5 by sophie kinsella here is a quick description and cover image of book shopaholic and baby

**shopaholic baby shopaholic book 5 shopaholic series** - May 12 2023

web shopaholic baby book read 2 726 reviews from the world s largest community for readers becky brandon s life is blooming she s working at london s ne

shopaholic baby shopaholic 5 by sophie kinsella goodreads - Apr 11 2023

web apr 28 2009 details or fastest delivery tuesday august 8 order within 21 hrs 49 mins details select delivery location only 14 left in stock order soon qty 1 buy now

**shopaholic baby shopaholic book 5 kinsella sophie** - Feb 09 2023

web jan 1 2007 shopaholic and baby shopaholic 5 sophie kinsella on amazon com free shipping on qualifying offers shopaholic and baby shopaholic 5

shopaholic baby shopaholic 5 novelstoday - Feb 26 2022

web shopaholic baby shopaholic book 5 shopaholic series english edition format kindle Édition en anglais de sophie kinsella auteur format format kindle 4 5 4 5

shopaholic baby a novel book cover may vary amazon com - Apr 30 2022

web shopaholic baby shopaholic book 5 kinsella sophie isbn 9780552774055 kostenloser versand für alle bücher mit versand und verkauf duch amazon

**shopaholic baby shopaholic book 5 amazon de** - Mar 30 2022

web shopaholic baby rating 8 3 10 from 15 ratings author sophie kinsella genre romance published 2007 series shopaholic 5 chapter list read now becky brandon

*read shopaholic baby shopaholic 5 online free nicenovel* - Oct 25 2021

web jun 26 2009 shopaholic baby shopaholic book 5 shopaholic series kindle edition by kinsella sophie download it once and read it on your kindle device pc

shopaholic baby shopaholic book 5 shopaholic series - Sep 04 2022

web buy shopaholic baby shopaholic book 5 by sophie kinsella 2007 12 03 by sophie kinsella from amazon s fiction books store everyday low prices on a huge range of