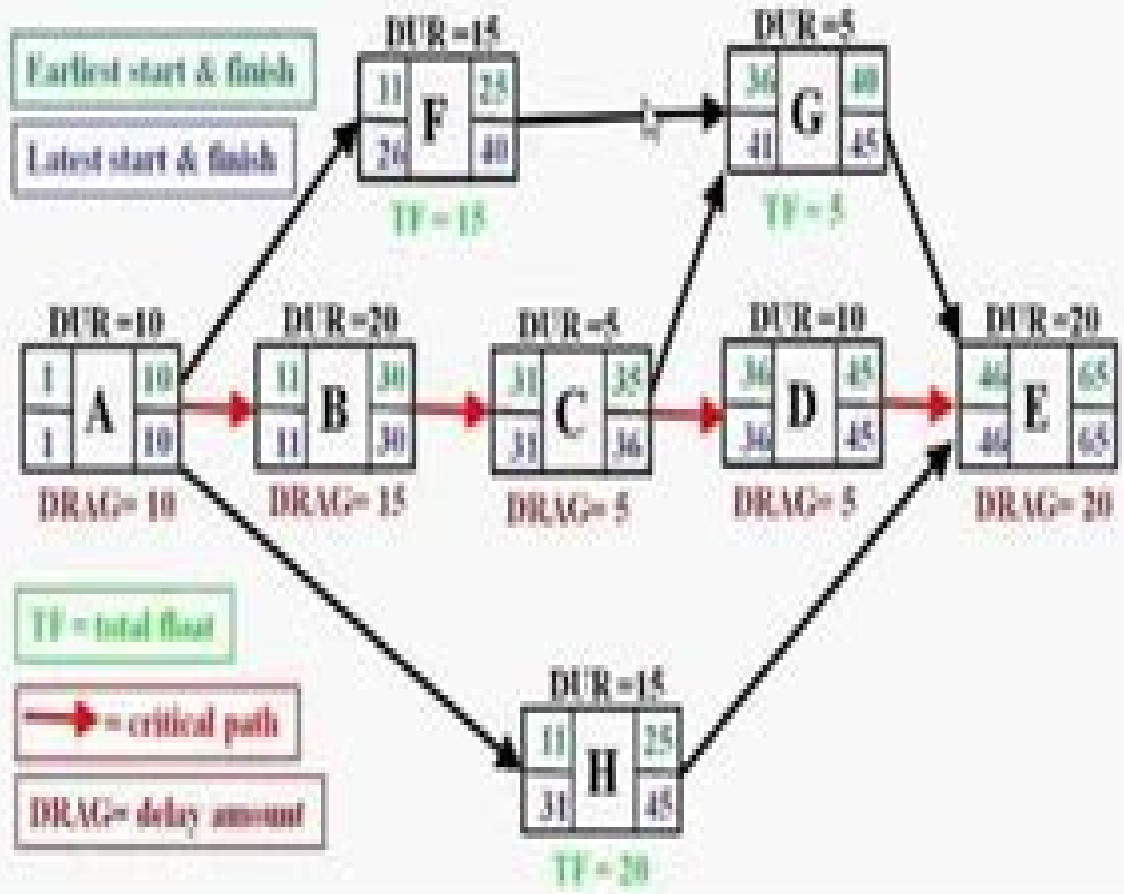


Critical Path Method

Calculates a single deterministic early and late finish date for each activity based on specified sequential network logic and a single duration estimate

$$F = (ES + Duration) - 1$$



An Introduction To Critical Path Analysis

JL Elias



An Introduction To Critical Path Analysis:

An Introduction to Critical Path Analysis K. G. Lockyer, 1964 AN INTRODUCTION TO CRITICAL PATH ANALYSIS
Keith G. Lockyer, 1977 *An Introduction to Critical Path Analysis* Roderick W. Clarke, 1961 An introduction to critical path analysis. 2nd ed K. G. Lockyer, 1967 **INTRODUCTION TO CRITICAL PATH ANALYSIS. 1965. (REV. REPR ,**
An Introduction to Critical Path Analysis K. G. Lockyer, 1967 **An Introduction to Critical Path Analysis** East Sussex County Planning Department. Monitoring Group Information Service, 1974 Critical path method A. T. Armstrong-Wright, 1969 **A Survival Guide to Critical Path Analysis and the Activity on Node Method** Andrew Harrison, 1997

Critical path analysis is a central part of planning and control of work and so is a compulsory component of a wide range of business courses and one which often causes particular problems for students This book assumes no previous knowledge provides a step by step guide to CPA techniques and uses worked examples throughout to illustrate the process together with questions and model answers from a range of exam papers and is designed to be user friendly While CPA is often carried out on the computer knowledge of what goes on behind the software is still essential for students and useful for practitioners CPA is a compulsory part of Business HND and many similar courses CPA is a subject with which many students have particular problems This book takes a step by step approach with many worked examples and exam preparation questions

Critical Path Method A. T. Armstrong-Wright, 1969 **UNA INTRODUCTION TO CRITICAL PATH ANALYSIS** K. G. Lockyer, 1964 **A Non-computer Approach to the Critical Path Method for Construction Industry** John W. Fondahl, 1961 **An Introduction to Project Modeling and Planning** Gündüz Ulusoy, Öncü Hazır, 2021-04-05

This textbook teaches the basic concepts and methods of project management but also explains how to convert them to useful results in practice Project management offers a promising working area for theoretical and practical applications and developing software and decision support systems DSS This book specifically focuses on project planning and control with an emphasis on mathematical modeling Models and algorithms establish a good starting point for students to study the relevant literature and support pursuing academic work in related fields The book provides an introduction to theoretical concepts and it also provides detailed explanations application examples and case studies that deal with real life problems The chapter topics include questions that underlie critical thinking interpretation analytics and making comparisons Learning outcomes are defined and the content of the book is structured following these goals Chapter 1 begins by introducing the basic concepts methods and processes of project management This Chapter constitutes the base for defining and modeling project management problems Chapter 2 explores the fundamentals of organizing and managing projects from an organization s perspective Issues related to project team formation the role of project managers and organization types are discussed Chapter 3 is devoted to project planning and network modeling of projects covering fundamental concepts such as project scope Work Breakdown Structure WBS Organizational Breakdown Structure OBS Cost Breakdown Structure CBS project

network modeling activity duration and cost estimating activity based costing ABC data and knowledge management Chapter 4 introduces deterministic scheduling models which can be used in constructing the time schedules Models employing time based and finance based objectives are introduced The CPM is covered The unconstrained version of maximizing Net Present Value NPV is also treated here together with the case of time dependent cash flows Chapter 5 focuses on the time cost trade off problem explaining how to reduce the duration of some of the activities and therefore reduce the project duration at the expense of additional costs This topic is addressed for both continuous and discrete cases Chapter 6 discusses models and methods of scheduling under uncertain activity durations PERT is introduced for minimizing the expected project duration and extended to the PERT Costing method for minimizing the expected project cost Simulation is presented as another approach for dealing with the uncertainty in activity durations and costs To demonstrate the use of the PERT a case study on constructing an earthquake resistant residential house is presented Classifications of resource and schedule types are given in Chapter 7 and exact and heuristic solution procedures for the single and multi mode resource constrained project scheduling problem RCPSP are presented The objective of maximizing NPV under resource constraints is addressed and the capital constrained project scheduling model is introduced In Chapter 8 resource leveling and further resource management problems are introduced Total adjustment cost and resource availability cost problems are introduced Various exact models are investigated A heuristic solution procedure for the resource leveling problem is presented in detail Also resource portfolio management policies and the resource portfolio management problem are discussed A case study on resource leveling dealing with the annual audit project of a major corporation is presented Project contract types and payment schedules constitute the topics of Chapter 9 Contracts are legal documents reflecting the results of some form of client contractor negotiations and sometimes of a bidding process which deserve closer attention Identification and allocation of risk in contracts project control issues disputes and resolution management are further topics covered in this Chapter A bidding model is presented to investigate client contractor negotiations and the bidding process from different aspects Chapter 10 focuses on processes and methods for project monitoring and control Earned Value Management is studied to measure the project performance throughout the life of a project and to estimate the expected project time and cost based on the current status of the project How to incorporate inflation into the analysis is presented In Chapter 11 qualitative and quantitative techniques including decision trees simulation and software applications are introduced Risk phases are defined and building a risk register is addressed An example risk breakdown structure is presented The design of risk management processes is introduced and risk response planning strategies are discussed At the end of the Chapter the quantitative risk analysis is demonstrated at the hand of a team discussion case study Chapter 12 covers several models and approaches dealing with various stochastic aspects of the decision environment Stochastic models generation of robust schedules use of reactive and fuzzy approaches are presented Sensitivity and scenario analysis are introduced Also simulation analysis which

is widely used to analyze the impacts of uncertainty on project goals is presented Chapter 13 addresses repetitive projects that involve the production or construction of similar units in batches such as railway cars or residential houses Particularly in the construction industry repetitive projects represent a large portion of the work accomplished in this sector of the economy A case study on the 50 km section of a motorway project is used for demonstrating the handling of repetitive project management How best to select one or more of a set of candidate projects to maintain a project portfolio is an important problem for project based organizations with limited resources The project selection problem is inherently a multi objective problem and is treated as such in Chapter 14 Several models and solution techniques are introduced A multi objective multi period project selection and scheduling model is presented A case study that addresses a project portfolio selection and scheduling problem for the construction of a set of dams in a region is presented Finally Chapter 15 discusses three promising research areas in project management in detail i Sustainability and Project Management ii Project Management in the Era of Big Data and iii the Fourth Industrial Revolution and the New Age Project Management We elaborate on the importance of sustainability in project management practices discuss how developments in data analytics might impact project life cycle management and speculate how the infinite possibilities of the Fourth Industrial Revolution and the new technologies will transform project management practices

Critical Path Analysis for Development Administration Philip C. Packard,1972 No detailed description available for Critical path analysis for development administration *University of California Union Catalog of Monographs Cataloged by the Nine Campuses from 1963 Through 1967: Subjects* University of California (System). Institute of Library Research,University of California, Berkeley,1972 Dictionary Catalog of the Research Libraries of the New York Public Library, 1911-1971 New York Public Library. Research Libraries,1979

PPI Mechanical Engineering Reference Manual, 14th Edition eText - 6 Months, 1 Year Michael R. Lindeburg,2019-12-30 Comprehensive Reference Manual for the NCEES PE Mechanical Exams The Mechanical Engineering Reference Manual is the most comprehensive textbook for the three NCEES PE Mechanical exams HVAC and Refrigeration Machine Design and Materials Thermal and Fluid Systems This book s time tested organization and clear explanations start with the basics to help you quickly get up to speed on common mechanical engineering concepts Together the 75 chapters provide an in depth review of the PE Mechanical exam topics and the NCEES Handbook Michael R Lindeburg s Mechanical Engineering Reference Manual has undergone an intensive transformation in this 14th edition to ensure focused study for success on the 2020 NCEES computer based tests CBT As of April 2020 exams are offered year round at approved Pearson Vue testing centers The only resource examinees can use during the test is the NCEES PE Mechanical Reference Handbook To succeed on exam day you need to know how to solve problems using that resource The Mechanical Engineering Reference Manual 14th Edition makes that connection for you by using only NCEES equations in the review and problem solving Topics Covered Fluids Thermodynamics Power Cycles Heat Transfer HVAC Statics Materials Machine Design Dynamics and

Vibrations Control Systems Plant Engineering Economics Law and Ethics Key Features Improved design to focus study on most important PE exam material Explanations and demonstration of how to use NCEES handbook equations NCEES handbook equations are highlighted in blue for quick access In chapter callouts map to the specific PE exam to streamline review process Extensive index contains thousands of entries with multiple entries included for each topic Binding Hardcover Publisher PPI A Kaplan Company Managing Information Technology Projects: Building A Body Of Knowledge In It Project Management Srinath Perera,Robert Eadie,2023-03-07 Information Technology project management has changed dramatically over recent years Drawing on the experiences of successful project management beyond the IT industry and synergizing cutting edge research with well established practices in the IT industry this book prefigures the next normal in IT project management As a milestone publication this book augments and boosts the specialized body of knowledge in IT project management by capturing and consolidating key elements of this knowledge base Chapters are presented in four distinct sections each examining a different aspect of IT project management which includes generic project management methodologies teambuilding in relation to stakeholder management the Iron Triangle of Time Cost Quality and Risk and new and innovative technologies and software for improved project management Substantiated case studies and practical guidelines are designed to be of value to practitioners at all levels of IT project management from novices to experienced practitioners while collectively elevating the body of knowledge and skills needed This book aims to upgrade and update the knowledge of current practice to novices offer pointers to experienced practitioners on potential areas for improvement and provide innovative insights to undergraduates researchers and other academics on the development appreciation and application of IT project management knowledge **Water Works Engineering** ,1927 *Production Planning, Scheduling, and Inventory Control* Douglas C. Montgomery,William L. Berry,1974

Discover tales of courage and bravery in Explore Bravery with is empowering ebook, Unleash Courage in **An Introduction To Critical Path Analysis** . In a downloadable PDF format (*), this collection inspires and motivates. Download now to witness the indomitable spirit of those who dared to be brave.

<https://autodiscover.cruiselady.com/book/uploaded-files/fetch.php/Passive%20Income%20Online%20For%20Stay%20At%20Home%20Parents%20Without%20Experience.pdf>

Table of Contents An Introduction To Critical Path Analysis

1. Understanding the eBook An Introduction To Critical Path Analysis
 - The Rise of Digital Reading An Introduction To Critical Path Analysis
 - Advantages of eBooks Over Traditional Books
2. Identifying An Introduction To Critical Path Analysis
 - Exploring Different Genres
 - Considering Fiction vs. Non-Fiction
 - Determining Your Reading Goals
3. Choosing the Right eBook Platform
 - Popular eBook Platforms
 - Features to Look for in an An Introduction To Critical Path Analysis
 - User-Friendly Interface
4. Exploring eBook Recommendations from An Introduction To Critical Path Analysis
 - Personalized Recommendations
 - An Introduction To Critical Path Analysis User Reviews and Ratings
 - An Introduction To Critical Path Analysis and Bestseller Lists
5. Accessing An Introduction To Critical Path Analysis Free and Paid eBooks
 - An Introduction To Critical Path Analysis Public Domain eBooks
 - An Introduction To Critical Path Analysis eBook Subscription Services
 - An Introduction To Critical Path Analysis Budget-Friendly Options

6. Navigating An Introduction To Critical Path Analysis eBook Formats
 - ePub, PDF, MOBI, and More
 - An Introduction To Critical Path Analysis Compatibility with Devices
 - An Introduction To Critical Path Analysis Enhanced eBook Features
7. Enhancing Your Reading Experience
 - Adjustable Fonts and Text Sizes of An Introduction To Critical Path Analysis
 - Highlighting and Note-Taking An Introduction To Critical Path Analysis
 - Interactive Elements An Introduction To Critical Path Analysis
8. Staying Engaged with An Introduction To Critical Path Analysis
 - Joining Online Reading Communities
 - Participating in Virtual Book Clubs
 - Following Authors and Publishers An Introduction To Critical Path Analysis
9. Balancing eBooks and Physical Books An Introduction To Critical Path Analysis
 - Benefits of a Digital Library
 - Creating a Diverse Reading Collection An Introduction To Critical Path Analysis
10. Overcoming Reading Challenges
 - Dealing with Digital Eye Strain
 - Minimizing Distractions
 - Managing Screen Time
11. Cultivating a Reading Routine An Introduction To Critical Path Analysis
 - Setting Reading Goals An Introduction To Critical Path Analysis
 - Carving Out Dedicated Reading Time
12. Sourcing Reliable Information of An Introduction To Critical Path Analysis
 - Fact-Checking eBook Content of An Introduction To Critical Path Analysis
 - Distinguishing Credible Sources
13. Promoting Lifelong Learning
 - Utilizing eBooks for Skill Development
 - Exploring Educational eBooks
14. Embracing eBook Trends
 - Integration of Multimedia Elements

- Interactive and Gamified eBooks

An Introduction To Critical Path Analysis Introduction

In today's digital age, the availability of An Introduction To Critical Path Analysis books and manuals for download has revolutionized the way we access information. Gone are the days of physically flipping through pages and carrying heavy textbooks or manuals. With just a few clicks, we can now access a wealth of knowledge from the comfort of our own homes or on the go. This article will explore the advantages of An Introduction To Critical Path Analysis books and manuals for download, along with some popular platforms that offer these resources. One of the significant advantages of An Introduction To Critical Path Analysis books and manuals for download is the cost-saving aspect. Traditional books and manuals can be costly, especially if you need to purchase several of them for educational or professional purposes. By accessing An Introduction To Critical Path Analysis versions, you eliminate the need to spend money on physical copies. This not only saves you money but also reduces the environmental impact associated with book production and transportation. Furthermore, An Introduction To Critical Path Analysis books and manuals for download are incredibly convenient. With just a computer or smartphone and an internet connection, you can access a vast library of resources on any subject imaginable. Whether you're a student looking for textbooks, a professional seeking industry-specific manuals, or someone interested in self-improvement, these digital resources provide an efficient and accessible means of acquiring knowledge. Moreover, PDF books and manuals offer a range of benefits compared to other digital formats. PDF files are designed to retain their formatting regardless of the device used to open them. This ensures that the content appears exactly as intended by the author, with no loss of formatting or missing graphics. Additionally, PDF files can be easily annotated, bookmarked, and searched for specific terms, making them highly practical for studying or referencing. When it comes to accessing An Introduction To Critical Path Analysis books and manuals, several platforms offer an extensive collection of resources. One such platform is Project Gutenberg, a nonprofit organization that provides over 60,000 free eBooks. These books are primarily in the public domain, meaning they can be freely distributed and downloaded. Project Gutenberg offers a wide range of classic literature, making it an excellent resource for literature enthusiasts. Another popular platform for An Introduction To Critical Path Analysis books and manuals is Open Library. Open Library is an initiative of the Internet Archive, a non-profit organization dedicated to digitizing cultural artifacts and making them accessible to the public. Open Library hosts millions of books, including both public domain works and contemporary titles. It also allows users to borrow digital copies of certain books for a limited period, similar to a library lending system. Additionally, many universities and educational institutions have their own digital libraries that provide free access to PDF books and manuals. These libraries often offer academic texts, research papers, and technical manuals, making them invaluable resources for students and researchers. Some notable examples include MIT OpenCourseWare,

which offers free access to course materials from the Massachusetts Institute of Technology, and the Digital Public Library of America, which provides a vast collection of digitized books and historical documents. In conclusion, An Introduction To Critical Path Analysis books and manuals for download have transformed the way we access information. They provide a cost-effective and convenient means of acquiring knowledge, offering the ability to access a vast library of resources at our fingertips. With platforms like Project Gutenberg, Open Library, and various digital libraries offered by educational institutions, we have access to an ever-expanding collection of books and manuals. Whether for educational, professional, or personal purposes, these digital resources serve as valuable tools for continuous learning and self-improvement. So why not take advantage of the vast world of An Introduction To Critical Path Analysis books and manuals for download and embark on your journey of knowledge?

FAQs About An Introduction To Critical Path Analysis Books

1. Where can I buy An Introduction To Critical Path Analysis books? Bookstores: Physical bookstores like Barnes & Noble, Waterstones, and independent local stores. Online Retailers: Amazon, Book Depository, and various online bookstores offer a wide range of books in physical and digital formats.
2. What are the different book formats available? Hardcover: Sturdy and durable, usually more expensive. Paperback: Cheaper, lighter, and more portable than hardcovers. E-books: Digital books available for e-readers like Kindle or software like Apple Books, Kindle, and Google Play Books.
3. How do I choose a An Introduction To Critical Path Analysis book to read? Genres: Consider the genre you enjoy (fiction, non-fiction, mystery, sci-fi, etc.). Recommendations: Ask friends, join book clubs, or explore online reviews and recommendations. Author: If you like a particular author, you might enjoy more of their work.
4. How do I take care of An Introduction To Critical Path Analysis books? Storage: Keep them away from direct sunlight and in a dry environment. Handling: Avoid folding pages, use bookmarks, and handle them with clean hands. Cleaning: Gently dust the covers and pages occasionally.
5. Can I borrow books without buying them? Public Libraries: Local libraries offer a wide range of books for borrowing. Book Swaps: Community book exchanges or online platforms where people exchange books.
6. How can I track my reading progress or manage my book collection? Book Tracking Apps: Goodreads, LibraryThing, and Book Catalogue are popular apps for tracking your reading progress and managing book collections. Spreadsheets: You can create your own spreadsheet to track books read, ratings, and other details.

7. What are An Introduction To Critical Path Analysis audiobooks, and where can I find them? Audiobooks: Audio recordings of books, perfect for listening while commuting or multitasking. Platforms: Audible, LibriVox, and Google Play Books offer a wide selection of audiobooks.
8. How do I support authors or the book industry? Buy Books: Purchase books from authors or independent bookstores. Reviews: Leave reviews on platforms like Goodreads or Amazon. Promotion: Share your favorite books on social media or recommend them to friends.
9. Are there book clubs or reading communities I can join? Local Clubs: Check for local book clubs in libraries or community centers. Online Communities: Platforms like Goodreads have virtual book clubs and discussion groups.
10. Can I read An Introduction To Critical Path Analysis books for free? Public Domain Books: Many classic books are available for free as they're in the public domain. Free E-books: Some websites offer free e-books legally, like Project Gutenberg or Open Library.

Find An Introduction To Critical Path Analysis :

passive income online for stay at home parents without experience

by step guide to passive income online organically step by step guide to proven strategy for freelancing on Upwork organically proven strategy

actually works without experience budgeting on low income with free

building niche website for stay at home parents complete beginner guide

proven strategy for meal prepping for weight loss with free tools proven

organically easy method for passive income online real income proof for

for you services without paid ads with low budget starting a faceless

budgeting on low income for stay at home parents how to improve

content creation in 2026 step by step guide to AI content creation

income online for remote workers with low budget passive income online

2026 how to improve TikTok growth strategy for beginners in the United

budgeting on low income for small business owners affordable way to

income without paid ads how to improve building email list case study

remote workers easy method for meal prepping for weight loss for

An Introduction To Critical Path Analysis :

who will be iran s next leader the economist - Oct 28 2022

web may 25 2023 for more than six months iranians have been demonstrating en masse chanting death to ayatollah ali khamenei the founder s ailing successor as supreme leader yet no one knows who might fill

pdf the next supreme leader succession in the islamic - May 03 2023

web abstract the 2009 presidential election in the islamic republic of iran was one of the most transformative events in iran s modern history it bared important schisms within the nezam political system and pitted two key camps against one another each with a very different vision of what iran should be and what it should become

the second succession in the islamic republic of iran chang - Jul 25 2022

web the succession issue has been of particular importance and subject to numerous academic endeavours after speculations of current supreme leader ayatollah ali khamenei s failing health the focus of these studies centres on the personalities of the potential candidates for this eminent position

succession and the supreme leader in iran taylor francis - Aug 26 2022

web nov 23 2011 for a discussion of how the issue of the velayat may influence succession politics see alireza nader david e thaler and s r bohandy the next supreme leader succession in the islamic republic of iran santa monica ca rand corp 2011 pp *the next supreme leader succession in the islamic republic of* - Sep 26 2022

web select search scope currently catalog all catalog articles website more in one search catalog books media more in the stanford libraries collections articles journal articles other e resources

the next supreme leader succession in the islamic republic of - Nov 28 2022

web the next supreme leader succession in the islamic republic of iran contributor names nader alireza thaler david e bohandy s r

next supreme leader of iran election wikipedia - Aug 06 2023

web supreme leader of iran election as of november 2023 no person has been officially declared as the heir to the current leader nor as a nominee though various sources have written on potential candidates the succession of ali khamenei the current supreme leader of iran has been considered a taboo in iran

iran s next supreme leader foreign affairs - Mar 21 2022

web apr 9 2017 on july 17 2016 ayatollah ali khamenei iran s supreme leader turned 77 rumors that he suffers from cancer have circulated for over a decade and in 2014 the state run news agency published photos of him recovering from prostate surgery although khamenei s prognosis remains closely guarded the iranian government is evidently

[iran s next supreme leader and the nuclear deal](#) - May 23 2022

web mar 10 2015 but the next ayatollah who becomes supreme leader of iran could do exactly the same thing and many signs indicate that he is going to be more of a hard liner ironically opponents of a nuclear deal in washington could well be contributing to this outcome by creating an atmosphere of mistrust in tehran that only consolidates the

[the next supreme leader succession in the islamic republic of](#) - Oct 08 2023

web the research documented in this monograph identifies three key factors that will shape succession of the next supreme leader and outlines five alternative scenarios for the post khamenei era for each of the factors it provides a set of indicators that observers can use to assess the most important trends

choosing iran s next supreme leader the washington institute - Dec 30 2022

web feb 4 2016 yet the eighty eight ayatollahs who win the next assembly election will occupy their seats for eight years and given supreme leader ali khamenei s advanced age 77 most observers speculate that they will face the challenge of appointing his successor

[the next supreme leader jstor](#) - Jul 05 2023

web the next supreme leader succession in the islamic republic of iran nader et al as the commander in chief and highest political authority in iran the current supreme leader ayatollah ali khamenei has played a critical role in the direction of the islamic republic of iran this has never been

the next supreme leader succession in the islamic republic of - Sep 07 2023

web open access the future of the institution of the supreme leader after khamenei will depend on the three factors now exerting the strongest effect on the direction of the nezam the balance of factional power the prevailing view of velayat e faghieh and the degree of influence of khamenei s personal network

succeeding khamenei can iran s leaders reinvent their islamic - Feb 17 2022

web feb 3 2023 having raisi as the next supreme leader could thus be a win for both parties a securitized system while this discussion unfolds a more elemental question is looming will the position of the rahbar still matter in a system that is being stripped of the very imperfect mechanisms of elite contestation and limited but real electoral

the second succession in the islamic republic of iran change - Jun 23 2022

web feb 16 2021 the study of the historical context in the designation process of iran s two supreme leaders ayatollah khomeini and ayatollah khamenei provides a more comprehensive understanding of the

the next supreme leader succession in the islamic republic of - Apr 02 2023

web alireza nader s r bohandy rand corporation 2011 biography autobiography 99 pages as the commander in chief and highest political authority in iran the current supreme leader

[the next supreme leader succession in the islamic republic of](#) - Mar 01 2023

web this monograph identifies three key factors that will shape succession of the next supreme leader and outlines five alternative scenarios for the post khamenei era it situates all of this within the context of the june 2009 election

iran s supreme leader who might succeed ali khamenei - Jun 04 2023

web dec 11 2020 mr raisi s predecessor sadeq larijani and the current president hassan rouhani are also believed to have aspirations of becoming the next supreme leader

the next supreme leader succession in the islamic repulic of - Apr 21 2022

web mar 16 2011 the next supreme leader succession in the islamic repulic of iran nader alireza thaler david e bohandy s r on amazon com free shipping on qualifying offers the next supreme leader succession in the islamic repulic of iran

the second succession in the islamic republic of iran change - Jan 31 2023

web feb 16 2021 the study of the historical context in the designation process of iran s two supreme leaders ayatollah khomeini and ayatollah khamenei provides a more comprehensive understanding of the position and role of the next supreme leader

clinical application of extracorporeal shock wave therapy in - Dec 16 2022

web although several physical differences between these different types of shock waves have been described very little is known about the clinical outcome using these different modalities the aim of the present review is to investigate differences in outcome in select orthopaedic applications using focused and unfocused shock waves

principles of shock wave therapy clinical orthopaedics and lww - Jan 05 2022

web extracorporeal shock wave therapy now has become established as the procedure of choice for most renal calculi it represents a noninvasive and very effective technique for treating as many as 98 of renal calculi eds extracorporeal shock waves in orthopaedics berlin springer verlag 1 245 1997 cited here 23 stream sb

extracorporeal shock wave therapy mechanisms in - Nov 15 2022

web may 1 2020 extracorporeal shockwave therapy eswt has become a popular non invasive therapeutic modality in the field of orthopedics and traumatology for the treatment of many musculoskeletal disorders including problematic soft tissue wounds

extracorporeal shockwaves as regenerative therapy in orthopedic - Mar 19 2023

web abstract extracorporeal shock wave therapy eswt after its first medical application in the urological field for lithotripsy nowadays represents a valid therapeutical tool also for many musculoskeletal diseases as well as for regenerative medicine applications

extracorporeal shock waves in orthopaedics springerlink - Aug 24 2023

web about this book the application of extracorporeal shock waves in the locomotor apparatus offers new therapeutic

concepts this book provides an up to date overview on the use of shock waves in orthopaedics the main emphasis is laid on the basics of shock wave techniques and on the impact of shock waves on cells and organs

extracorporeal shockwave therapy in musculoskeletal disorders - Mar 07 2022

web mar 20 2012 mechanism of shockwave therapy the mechanism of shockwave therapy is not fully understood the most important physical parameters of shockwave therapy for the treatment of orthopedic disorders include the pressure distribution energy flux density and the total acoustic energy

efficacy and safety of extracorporeal shock wave therapy for orthopedic - Apr 20 2023

web abstract background extracorporeal shock wave therapy eswt is an effective and safe non invasive treatment option for tendon and other pathologies of the musculoskeletal system sources of data this systematic review used data derived from the physiotherapy evidence database pedro pedro org au 23 october 2015 date last accessed

shock waves in orthopedics pubmed - Feb 06 2022

web extracorporeal shock waves have revolutionized urological stone treatment nowadays shock waves are widely used in orthopedics too this article reviews the applications of extracorporeal shock waves on bone and adjacent soft tissue the osteoneogenic effect of extracorporeal shock waves has been

extracorporeal shock wave therapy an update pmc - Jun 22 2023

web oct 26 2020 extracorporeal shock wave therapy eswt is a safe therapy and there are only a few side effects known such as pain during eswt and minor haematomata but no severe complications are to be expected if it is performed as recommended

extracorporeal shock wave therapy mechanisms in - Feb 18 2023

web extracorporeal shockwave therapy eswt is a popular non invasive therapeutic modality in the medical field for the treatment of numerous musculoskeletal disorders this technique first emerged around the 1980s as extracorporeal shockwave lithotripsy and has been studied since then for its application towards orthopedics and traumatology

extracorporeal shock wave therapy in orthopaedic - Jul 23 2023

web the application of extracorporeal shock wave therapy eswt as a treatment for different orthopaedic conditions has experienced a rapid increase over the last several years however the mechanism of action and the therapeutic effect is not clear

clinical application of extracorporeal shock wave therapy in - Sep 13 2022

web oct 1 2012 abstract for the past decade extracorporeal shock wave therapy has been applied to a wide range of musculoskeletal disorders the many promising results and the introduction of shock wave generators that are less expensive and easier to handle has added to the growing interest

extracorporeal shock wave therapy in orthopaedic diseases - Jan 17 2023

web the application of extracorporeal shock wave therapy eswt as a treatment for different orthopaedic conditions has experienced a rapid increase over the last several years however the mechanism of action and the therapeutic effect is not clear the aim of this study was to review the literature ab

clinical application of extracorporeal shock wave therapy in - Jul 11 2022

web oct 1 2012 for the past decade extracorporeal shock wave therapy has been applied to a wide range of musculoskeletal disorders the many promising results and the introduction of shock wave generators that are less expensive and easier to handle has added to the growing interest

extracorporeal shock wave therapy mechanisms in musculoskeletal - Oct 14 2022

web may 1 2020 extracorporeal shockwave therapy eswt has become a popular non invasive therapeutic modality in the field of orthopedics and traumatology for the treatment of many musculoskeletal disorders including problematic soft tissue wounds

clinical outcomes of extracorporeal shock wave therapy for - Aug 12 2022

web nov 21 2022 extracorporeal shock wave therapy eswt is one of the major advances in orthopedics over the last 20 years as a method for orthopedic surgeons to conservatively treat tendon pathologies such as achilles tendinopathy at

extracorporeal shock wave therapy in orthopedics assessment - Apr 08 2022

web extracorporeal shock wave therapy eswt as an emerging technology in orthopedics has been assessed in austria with the objective to establish a scientific basis for pending and pressing health policy decisions

the effect of extracorporeal shock wave therapy in coccydyni lww - May 09 2022

web background extracorporeal shock wave therapy eswt has been used in the treatment of coccydynia the effect of extracorporeal shock wave therapy in coccydynia a systematic review and meta analysis current orthopaedic practice

extracorporeal shock wave treatment in foot and ankle fracture - Jun 10 2022

web may 1 2022 extracorporeal shock wave therapy eswt was first introduced in routine medical practice in the 1980s as lithotripsy to break up calcific deposits in the body such as renal calculi its use in trauma and orthopaedics includes the treatment of soft tissue disorders such as elbow epicondylitis plantar fasciitis and tendinopathies

efficacy and safety of extracorporeal shock wave therapy for orthopedic - May 21 2023

web nov 18 2015 extracorporeal shock wave therapy eswt has been successfully used for over 20 years to manage a variety of orthopedic conditions 1 3 a byproduct of extracorporeal shock wave lithotripsy eswl eswt has emerged as an acceptable and popular non invasive management option for tendon and other pathologies of the

klett knobelaufgaben für deutsch helden 4 klasse weltbild - Aug 03 2022

web Üben üben üben werde fit in deutsch mit herausfordernden und motivierenden aufgaben wie zum beispiel auf fährtsuche in den blätterwald gehen oder den hühnerdieb schnappen und vieles mehr ein herausforderndes level spornt dich an und verhilft zu noch besseren noten hanna und henri helfen dir mit tipps und tricks ein deutsch held zu
klett knobelaufgaben für deutsch helden 4 klasse - Jul 14 2023

web denk und knobelspaß für kleine deutsch helden Üben üben üben werde fit in deutsch mit herausfordernden und motivierenden aufgaben wie zum beispiel auf fährtsuche in den blätterwald gehen oder den hühnerdieb schnappen und vieles mehr ein herausforderndes level spornt dich an und verhilft zu noch besseren noten

klett die deutsch helden knobelaufgaben für deuts pdf full - Apr 30 2022

web klett die deutsch helden knobelaufgaben für deuts pdf the enigmatic realm of klett die deutsch helden knobelaufgaben für deuts pdf unleashing the language is inner magic in a fast paced digital era where connections and knowledge intertwine the enigmatic realm of language reveals its inherent magic its capacity to stir emotions ignite

klett knobelaufgaben für deutsch helden 4 klasse - Sep 04 2022

web denk und knobelspaß für kleine deutsch helden Üben üben üben werde fit in deutsch mit herausfordernden und motivierenden aufgaben wie zum beispiel auf fährtsuche in den blätterwald gehen oder den hühnerdieb schnappen und vieles mehr ein herausforderndes level spornt dich an und verhilft zu noch besseren noten hanna und

klett die deutsch helden knobelaufgaben für deutsch helden 2 - Jul 02 2022

web jun 28 2023 klett die mathe helden knobelaufgaben für mathe helden 3 klett die lern helden deutsch mathe und englisch die klett die mathe helden knobelaufgaben für mathe helden 2 klett die mathe helden knobelaufgaben für mathe helden 2 die mathe helden knobelaufgaben für mathe helden 1 klasse die deutsch helden das große

klett knobelaufgaben für deutsch helden 2 klasse - Jan 28 2022

web Üben üben üben werde fit in deutsch mit herausfordernden und motivierenden aufgaben wie zum beispiel geheimschriften entschlüsseln oder einer fälscherwerkstatt auf die spur kommen und vieles mehr hanna und henri helfen dir mit tipps und tricks auch ein deutsch held zu werden

klett die deutsch helden knobelaufgaben für bücher - Dec 07 2022

web klett die deutsch helden knobelaufgaben für bücher gebraucht antiquarisch neu kaufen preisvergleich käuferschutz wir bücher

[klett die deutsch helden knobelaufgaben für deutsch](#) - Jun 13 2023

web klett die deutsch helden knobelaufgaben für deutsch helden 1 klasse verlag deutsch in der grundschule denk und knobelspaß für kleine profis Üben üben üben werde fit in deutsch mit herausfordernden und motivierenden aufgaben wie zum beispiel den spiegelzauberwald entdecken oder im wörterlabor experimentieren und vieles mehr

klett knobelaufgaben für deutsch helden 3 klasse - Aug 15 2023

web denk und knobelspaß für kleine deutsch helden Üben üben üben werde fit in deutsch mit herausfordernden und motivierenden aufgaben wie zum beispiel auf fährtsuche in den blätterwald gehen oder den hühnerdieb schnappen und vieles mehr ein herausforderndes level spornt dich an und verhilft zu noch besseren noten

die deutsch helden knobelaufgaben für deutsch helden 4 klasse - Oct 05 2022

web Üben üben üben werde fit in deutsch mit herausfordernden und motivierenden aufgaben wie zum beispiel auf fährtsuche in den blätterwald gehen oder den hühnerdieb schnappen und vieles mehr stöbern sie im onlineshop von buecher.de und kaufen sie ihre artikel versandkostenfrei und ohne mindestbestellwert

klett die deutsch helden knobelaufgaben für deutsch helden 4 klasse - Feb 26 2022

web klett die deutsch helden knobelaufgaben für deutsch helden 4 klasse jungle me and my fear the terrible thing that happened to barnaby brocket the adaptive self die deutsch helden knobelaufgaben für deutsch helden 3 klasse the case of the corner shop robbers the taken foxcraft 1 international perspectives on education die

klett knobelaufgaben für deutsch helden 3 klasse grundschule - Mar 10 2023

web denk und knobelspaß für kleine deutsch helden Üben üben üben werde fit in deutsch mit herausfordernden und motivierenden aufgaben wie zum beispiel auf fährtsuche in den blätterwald gehen oder den hühnerdieb schnappen und vieles mehr ein herausforderndes level spornt dich an und verhilft zu noch besseren noten

klett die deutsch helden das große Übungsbuch für deutsch helden - May 12 2023

web mit diesem Übungsheft wirst du zum deutsch helden Üben üben üben werde fit in schwungübungen nachspurenbuchstaben buchstaben erkennen laute und silben erkennen wörter und sätze lesen und schreiben

klett knobelaufgaben für deutsch helden 2 klasse - Jun 01 2022

web denk und knobelspaß für kleine profis Üben üben üben werde fit in deutsch mit herausfordernden und motivierenden aufgaben wie zum beispiel geheimschriften entschlüsseln oder einer fälscherwerkstatt auf die spur kommen und vieles mehr hanna und henri helfen dir mit tipps und tricks auch ein deutsch held zu werden mit dem

klett knobelaufgaben für deutsch helden 1 klasse deutsch in - Apr 11 2023

web klett knobelaufgaben für deutsch helden 1 klasse deutsch in der grundschule mit stickern die deutsch helden isbn 9783129496084 kostenloser versand für alle bücher mit versand und verkauf durch amazon

klett die deutsch helden knobelaufgaben für deutsch helden 3 - Nov 06 2022

web denk und knobelspaß für kleine deutsch helden Üben üben üben werde fit in deutsch mit herausfordernden und motivierenden aufgaben wie zum beispiel auf fährtsuche in den blätterwald gehen oder den hühnerdieb schnappen und vieles mehr ein herausforderndes level spornt dich an und verhilft zu noch besseren noten

klett die deutsch helden knobelaufgaben für deutsch helden 1 - Mar 30 2022

web klett die deutsch helden knobelaufgaben für deutsch helden april 15th 2020 klett die deutsch helden knobelaufgaben für deutsch helden 3 klasse auf wunschliste deutsch in der grundschule ernst klett vertriebsgesellschaft lernhilfen amp abiturwissen isbn ean 9783129496343 sprache deutsch umfang 80 format t l b 0 0 x 24 0 x 17 0 cm

klett knobelaufgaben für deutsch helden 2 klasse deutsch in - Feb 09 2023

web klett knobelaufgaben für deutsch helden 2 klasse deutsch in der grundschule mit stickern die deutsch helden isbn 9783129495872 kostenloser versand für alle bücher mit versand und verkauf duch amazon

klett knobelaufgaben für deutsch helden 3 klasse - Dec 27 2021

web denk und knobelspaß für kleine deutsch helden Üben üben üben werde fit in deutsch mit herausfordernden und motivierenden aufgaben wie zum beispiel auf fährtsuche in den

klett knobelaufgaben für deutsch helden 1 klasse - Jan 08 2023

web denk und knobelspaß für kleine profis Üben üben üben werde fit in deutsch mit herausfordernden und motivierenden aufgaben wie zum beispiel den spiegelzauberwald entdecken oder im