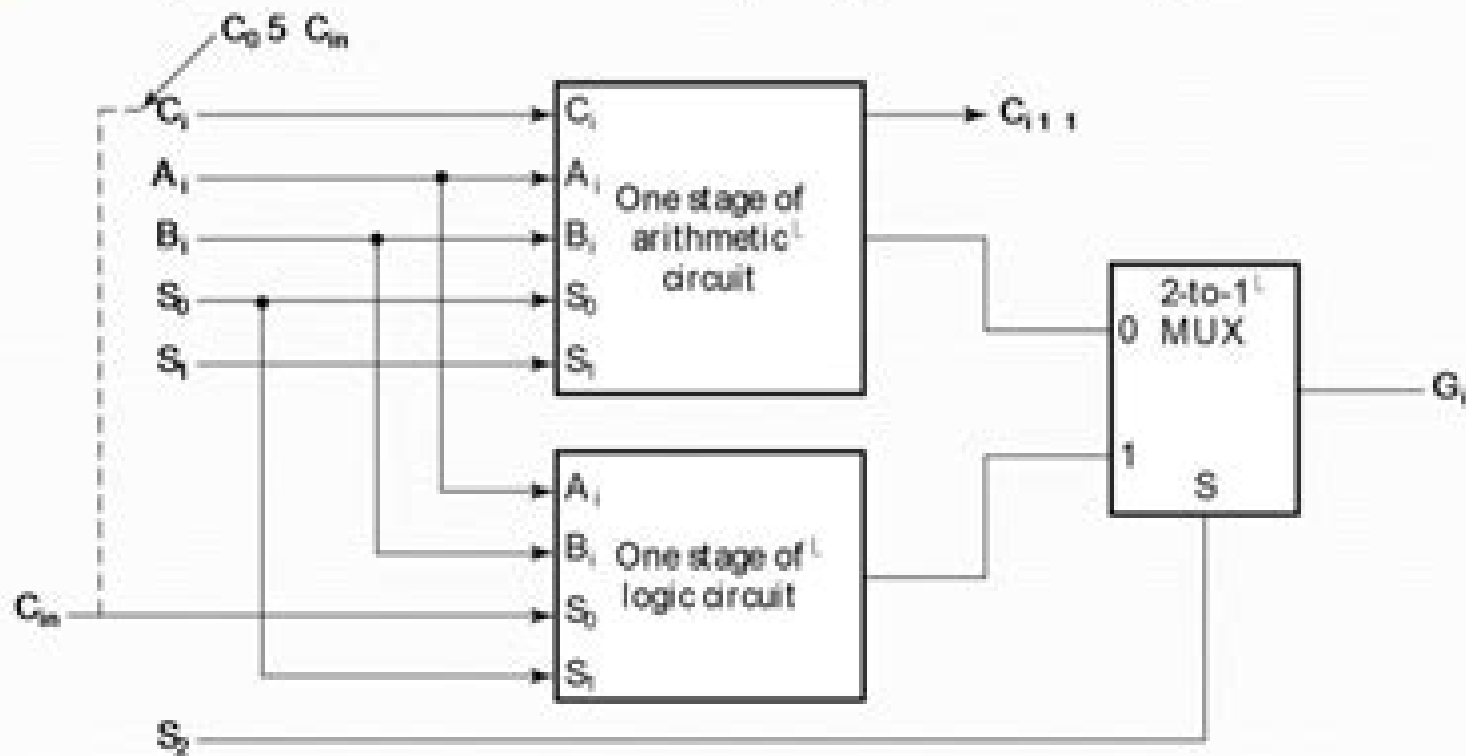


# The Arithmetic/Logic Unit

- ALU performs arithmetic/logic micro-operations.



# Computer Arithmetic Logic And Design

**N Colangelo**



## **Computer Arithmetic Logic And Design:**

**Computer Arithmetic** Otto Spaniol,1981 Good No Highlights No Markup all pages are intact Slight Shelfwear may have the corners slightly dented may have slight color changes slightly damaged spine Logic Design Wai-Kai Chen,2003-03-19 In this volume drawn from the VLSI Handbook the focus is on logic design and compound semiconductor digital integrated circuit technology Expert discussions cover topics ranging from the basics of logic expressions and switching theory to sophisticated programmable logic devices and the design of GaAs MESFET and HEMT logic circuits Logic Design Digital Design and Fabrication Vojin G. Oklobdzija,2017-12-19 In response to tremendous growth and new technologies in the semiconductor industry this volume is organized into five information rich sections Digital Design and Fabrication surveys the latest advances in computer architecture and design as well as the technologies used to manufacture and test them Featuring contributions from leading experts the book also includes a new section on memory and storage in addition to a new chapter on nonvolatile memory technologies Developing advanced concepts this sharply focused book Describes new technologies that have become driving factors for the electronic industry Includes new information on semiconductor memory circuits whose development best illustrates the phenomenal progress encountered by the fabrication and technology sector Contains a section dedicated to issues related to system power consumption Describes reliability and testability of computer systems Pinpoints trends and state of the art advances in fabrication and CMOS technologies Describes performance evaluation measures which are the bottom line from the user s point of view Discusses design techniques used to create modern computer systems including high speed computer arithmetic and high frequency design timing and clocking and PLL and DLL design **Computers, Software Engineering, and Digital Devices** Richard C. Dorf,2018-10-03 In two editions spanning more than a decade The Electrical Engineering Handbook stands as the definitive reference to the multidisciplinary field of electrical engineering Our knowledge continues to grow and so does the Handbook For the third edition it has expanded into a set of six books carefully focused on a specialized area or field of study Each book represents a concise yet definitive collection of key concepts models and equations in its respective domain thoughtfully gathered for convenient access **Computers Software Engineering and Digital Devices** examines digital and logical devices displays testing software and computers presenting the fundamental concepts needed to ensure a thorough understanding of each field It treats the emerging fields of programmable logic hardware description languages and parallel computing in detail Each article includes defining terms references and sources of further information Encompassing the work of the world s foremost experts in their respective specialties **Computers Software Engineering and Digital Devices** features the latest developments the broadest scope of coverage and new material on secure electronic commerce and parallel computing **Fundamentals of Computer Organization and Architecture** Mostafa Abd-El-Barr,Hesham El-Rewini,2005-02-08 This is the first book in the two volume set offering comprehensive coverage of the field of computer organization and

architecture This book provides complete coverage of the subjects pertaining to introductory courses in computer organization and architecture including Instruction set architecture and design Assembly language programming Computer arithmetic Processing unit design Memory system design Input output design and organization Pipelining design techniques Reduced Instruction Set Computers RISCs The authors who share over 15 years of undergraduate and graduate level instruction in computer architecture provide real world applications examples of machines case studies and practical experiences in each chapter

**Engineering Digital Design** Richard F. Tinder,2000-01-07 The options include the lumped path delay LPD model or NESTED CELL model for asynchronous FSM designs and the use of D FLIP FLOPs for synchronous FSM designs The background for the use of ADAM is covered in Chapters 11 14 and 16 of the REVISED 2nd Edition 5 A OPS design software A OPS for Asynchronous One hot Programmable Sequencers is another very powerful productivity tool that permits the design of asynchronous and synchronous state machines by using a programmable sequencer kernel This software generates a PLA or PAL output file in Berkeley format or the VHDL code for the automated timing defect free designs of the following a Any 1 Hot programmable sequencer up to 10 states b The 1 Hot design of multiple asynchronous or synchronous state machines driven by either PLDs or RAM The input file is that of a state table for the desired state machine

**Arithmetic and Logic in Computer Systems** Mi Lu,2005-02-18 Arithmetic and Logic in Computer Systems provides a useful guide to a fundamental subject of computer science and engineering Algorithms for performing operations like addition subtraction multiplication and division in digital computer systems are presented with the goal of explaining the concepts behind the algorithms rather than addressing any direct applications Alternative methods are examined and explanations are supplied of the fundamental materials and reasoning behind theories and examples No other current books deal with this subject and the author is a leading authority in the field of computer arithmetic The text introduces the Conventional Radix Number System and the Signed Digit Number System as well as Residue Number System and Logarithmic Number System This book serves as an essential up to date guide for students of electrical engineering and computer and mathematical sciences as well as practicing engineers and computer scientists involved in the design application and development of computer arithmetic units

**Library of Congress Subject Headings** Library of Congress,2003

**Current Engineering Practice** ,1982 **Digital Systems and Hardware/Firmware Algorithms** Milos D. Ercegovic,Tomás Lang,1985-05-14 This modern treatment of digital system specification analysis and design covers all topics from gates and flip flops to complex hardware and system software algorithms An upper level undergraduate graduate text it uses two complementary approaches system model and algorithmic model in dealing with structured analysis and design and separates specification from implementation to allow for the ready application of concepts to practical system design Extensive illustrations and 500 exercises

**Scientific and Technical Books and Serials in Print** ,1984

**Computer arithmetic** ,1992 **Design of Arithmetic Units for Digital Computers** GOSLING,2013-11-11 The

original motivation for the development of digital computers was to make it possible to perform calculations that were too large to be attempted by a human being without serious likelihood of error. Once the users found that they could achieve their initial aims they then wanted to go into greater detail and to solve still bigger problems so that the demand for extra computing power has continued unabated and shows no sign of slackening. This book is an attempt to describe some of the more important techniques used today or likely to be used in the near future to perform arithmetic within the computing machine. There are at present few books in this field. Most books on computer design cover the more elementary methods and some go into detail on one or two more ambitious units. Space does not allow more. In this text the aim has been to fill this gap in the literature. In selecting the topics to be covered there have been two main aims: first to deal with the basic procedures of arithmetic and then to carry on to the design of more powerful units; second to maintain a strictly practical approach. The number of mathematical formulae has been kept to a minimum and the more complex ones have been eliminated since they merely serve to obscure the essential principles.

**Radio-electronics**, 1980    Subject Catalog, 1982  
Library of Congress, 1982    British Books in Print, 1985    **Information Processing Journal**, 1963    Courses Catalog - University of Illinois at Urbana-Champaign, University of Illinois at Urbana-Champaign, 1996  
Includes undergraduate and graduate courses    **Whitaker's Cumulative Book List**, 1981    *The British National Bibliography*, Arthur James Wells, 1979

## Reviewing **Computer Arithmetic Logic And Design**: Unlocking the Spellbinding Force of Linguistics

In a fast-paced world fueled by information and interconnectivity, the spellbinding force of linguistics has acquired newfound prominence. Its capacity to evoke emotions, stimulate contemplation, and stimulate metamorphosis is really astonishing. Within the pages of "**Computer Arithmetic Logic And Design**," an enthralling opus penned by a highly acclaimed wordsmith, readers attempt an immersive expedition to unravel the intricate significance of language and its indelible imprint on our lives. Throughout this assessment, we shall delve into the book's central motifs, appraise its distinctive narrative style, and gauge its overarching influence on the minds of its readers.

<https://autodiscover.cruiselady.com/About/Resources/default.aspx/custom%20diablo%20with%20moves%20card.pdf>

### **Table of Contents Computer Arithmetic Logic And Design**

1. Understanding the eBook Computer Arithmetic Logic And Design
  - The Rise of Digital Reading Computer Arithmetic Logic And Design
  - Advantages of eBooks Over Traditional Books
2. Identifying Computer Arithmetic Logic And Design
  - Exploring Different Genres
  - Considering Fiction vs. Non-Fiction
  - Determining Your Reading Goals
3. Choosing the Right eBook Platform
  - Popular eBook Platforms
  - Features to Look for in a Computer Arithmetic Logic And Design
  - User-Friendly Interface
4. Exploring eBook Recommendations from Computer Arithmetic Logic And Design
  - Personalized Recommendations
  - Computer Arithmetic Logic And Design User Reviews and Ratings
  - Computer Arithmetic Logic And Design and Bestseller Lists

5. Accessing Computer Arithmetic Logic And Design Free and Paid eBooks
  - Computer Arithmetic Logic And Design Public Domain eBooks
  - Computer Arithmetic Logic And Design eBook Subscription Services
  - Computer Arithmetic Logic And Design Budget-Friendly Options
6. Navigating Computer Arithmetic Logic And Design eBook Formats
  - ePub, PDF, MOBI, and More
  - Computer Arithmetic Logic And Design Compatibility with Devices
  - Computer Arithmetic Logic And Design Enhanced eBook Features
7. Enhancing Your Reading Experience
  - Adjustable Fonts and Text Sizes of Computer Arithmetic Logic And Design
  - Highlighting and Note-Taking Computer Arithmetic Logic And Design
  - Interactive Elements Computer Arithmetic Logic And Design
8. Staying Engaged with Computer Arithmetic Logic And Design
  - Joining Online Reading Communities
  - Participating in Virtual Book Clubs
  - Following Authors and Publishers Computer Arithmetic Logic And Design
9. Balancing eBooks and Physical Books Computer Arithmetic Logic And Design
  - Benefits of a Digital Library
  - Creating a Diverse Reading Collection Computer Arithmetic Logic And Design
10. Overcoming Reading Challenges
  - Dealing with Digital Eye Strain
  - Minimizing Distractions
  - Managing Screen Time
11. Cultivating a Reading Routine Computer Arithmetic Logic And Design
  - Setting Reading Goals Computer Arithmetic Logic And Design
  - Carving Out Dedicated Reading Time
12. Sourcing Reliable Information of Computer Arithmetic Logic And Design
  - Fact-Checking eBook Content of Computer Arithmetic Logic And Design
  - Distinguishing Credible Sources
13. Promoting Lifelong Learning

- Utilizing eBooks for Skill Development
  - Exploring Educational eBooks
14. Embracing eBook Trends
- Integration of Multimedia Elements
  - Interactive and Gamified eBooks

### **Computer Arithmetic Logic And Design Introduction**

In this digital age, the convenience of accessing information at our fingertips has become a necessity. Whether its research papers, eBooks, or user manuals, PDF files have become the preferred format for sharing and reading documents. However, the cost associated with purchasing PDF files can sometimes be a barrier for many individuals and organizations. Thankfully, there are numerous websites and platforms that allow users to download free PDF files legally. In this article, we will explore some of the best platforms to download free PDFs. One of the most popular platforms to download free PDF files is Project Gutenberg. This online library offers over 60,000 free eBooks that are in the public domain. From classic literature to historical documents, Project Gutenberg provides a wide range of PDF files that can be downloaded and enjoyed on various devices. The website is user-friendly and allows users to search for specific titles or browse through different categories. Another reliable platform for downloading Computer Arithmetic Logic And Design free PDF files is Open Library. With its vast collection of over 1 million eBooks, Open Library has something for every reader. The website offers a seamless experience by providing options to borrow or download PDF files. Users simply need to create a free account to access this treasure trove of knowledge. Open Library also allows users to contribute by uploading and sharing their own PDF files, making it a collaborative platform for book enthusiasts. For those interested in academic resources, there are websites dedicated to providing free PDFs of research papers and scientific articles. One such website is Academia.edu, which allows researchers and scholars to share their work with a global audience. Users can download PDF files of research papers, theses, and dissertations covering a wide range of subjects. Academia.edu also provides a platform for discussions and networking within the academic community. When it comes to downloading Computer Arithmetic Logic And Design free PDF files of magazines, brochures, and catalogs, Issuu is a popular choice. This digital publishing platform hosts a vast collection of publications from around the world. Users can search for specific titles or explore various categories and genres. Issuu offers a seamless reading experience with its user-friendly interface and allows users to download PDF files for offline reading. Apart from dedicated platforms, search engines also play a crucial role in finding free PDF files. Google, for instance, has an advanced search feature that allows users to filter results by file type. By specifying the file type as "PDF," users can find websites that offer free PDF downloads on a specific topic. While downloading Computer Arithmetic Logic And

Design free PDF files is convenient, its important to note that copyright laws must be respected. Always ensure that the PDF files you download are legally available for free. Many authors and publishers voluntarily provide free PDF versions of their work, but its essential to be cautious and verify the authenticity of the source before downloading Computer Arithmetic Logic And Design. In conclusion, the internet offers numerous platforms and websites that allow users to download free PDF files legally. Whether its classic literature, research papers, or magazines, there is something for everyone. The platforms mentioned in this article, such as Project Gutenberg, Open Library, Academia.edu, and Issuu, provide access to a vast collection of PDF files. However, users should always be cautious and verify the legality of the source before downloading Computer Arithmetic Logic And Design any PDF files. With these platforms, the world of PDF downloads is just a click away.

### **FAQs About Computer Arithmetic Logic And Design Books**

**What is a Computer Arithmetic Logic And Design PDF?** A PDF (Portable Document Format) is a file format developed by Adobe that preserves the layout and formatting of a document, regardless of the software, hardware, or operating system used to view or print it. **How do I create a Computer Arithmetic Logic And Design PDF?** There are several ways to create a PDF: Use software like Adobe Acrobat, Microsoft Word, or Google Docs, which often have built-in PDF creation tools. Print to PDF: Many applications and operating systems have a "Print to PDF" option that allows you to save a document as a PDF file instead of printing it on paper. Online converters: There are various online tools that can convert different file types to PDF. **How do I edit a Computer Arithmetic Logic And Design PDF?** Editing a PDF can be done with software like Adobe Acrobat, which allows direct editing of text, images, and other elements within the PDF. Some free tools, like PDFescape or Smallpdf, also offer basic editing capabilities. **How do I convert a Computer Arithmetic Logic And Design PDF to another file format?** There are multiple ways to convert a PDF to another format: Use online converters like Smallpdf, Zamzar, or Adobe Acrobats export feature to convert PDFs to formats like Word, Excel, JPEG, etc. Software like Adobe Acrobat, Microsoft Word, or other PDF editors may have options to export or save PDFs in different formats. **How do I password-protect a Computer Arithmetic Logic And Design PDF?** Most PDF editing software allows you to add password protection. In Adobe Acrobat, for instance, you can go to "File" -> "Properties" -> "Security" to set a password to restrict access or editing capabilities. Are there any free alternatives to Adobe Acrobat for working with PDFs? Yes, there are many free alternatives for working with PDFs, such as: LibreOffice: Offers PDF editing features. PDFsam: Allows splitting, merging, and editing PDFs. Foxit Reader: Provides basic PDF viewing and editing capabilities. How do I compress a PDF file? You can use online tools like Smallpdf, ILovePDF, or desktop software like Adobe Acrobat to compress PDF files without significant quality loss. Compression reduces the file size, making it easier to share and download. Can I fill out forms in a

PDF file? Yes, most PDF viewers/editors like Adobe Acrobat, Preview (on Mac), or various online tools allow you to fill out forms in PDF files by selecting text fields and entering information. Are there any restrictions when working with PDFs? Some PDFs might have restrictions set by their creator, such as password protection, editing restrictions, or print restrictions. Breaking these restrictions might require specific software or tools, which may or may not be legal depending on the circumstances and local laws.

### **Find Computer Arithmetic Logic And Design :**

#### **custom diablo with moves card**

*cursed in the blood*

custom-published u of h macroeconomics

custom-published wests business law 9e

#### **custom-published management chall for tomorrows leaders**

~~curriculum landscape and trends~~

*custom-published understanding intermediate algebra*

custom-published-bca quick start guide

#### **custom-published journey through astronomy-stars/galaxy-hill c**

#### **curriculum leadership case studies for program practitioners**

custom-published psychology in the new millennium 8e

custom-published debate and argument

#### **custom-published math 118-linear models and probability e michigan u**

*custe r terry and me*

custom-published sg/wp to accomp asa institute of business inter

### **Computer Arithmetic Logic And Design :**

*amazon com jahangir khan 555 the untold story behind squash - Dec 27 2021*

web nov 1 2016 in the 30th anniversary year to mark his unmatched run jahangir khan 555 the untold story behind squash s invincible champion and sport s greatest unbeaten run dissects his early upbringing how the then 17 year old embarked on the five year run following the tragic death of his brother the pressure he ultimately faced to succeed from

*jahangir khan 555 facebook - Jan 08 2023*

web jahangir khan 555 1 096 likes 1 talking about this the untold story behind squash s invincible champion and sport s greatest unbeaten run looking at jk s career through retro clips images and

[jahangir khan 555 the untold story behind squash s invincible](#) - May 12 2023

web jahangir khan 555 the untold story behind squash s invincible champion and sport s greatest unbeaten run rod gilmour amazon com tr kitap

**jahangir khan 555 the un yumpu** - Jan 28 2022

web even fiction guides from time to time need to have a little research to verify they can be factually suitable jahangir khan 555 the untold story behind squash s invincible champion and sport s greatest unbeaten run study can be achieved speedily on the web lately most libraries now have their reference publications on the web as well

*jahangir khan 555 by rod gilmour overdrive* - Jul 02 2022

web nov 1 2016 in the 30th anniversary year to mark his unmatched run jahangir khan 555 the untold story behind squash s invincible champion and sport s greatest unbeaten run dissects his early upbringing how the then 17 year old embarked on the five year run following the tragic death of his brother the pressure he ultimately faced to succeed from

**alan s blog jahangir khan 555 book reveals an amazing era in squash** - Sep 04 2022

web november 1 2016 2 ross norman and jahangir khan in action jahangir khan and geoff hunt geoff hunt ross norman and five years of total domination by the great jahangir khan by alan thatcher squash mad editor

*jahangir khan 555 the untold story behind squash s invincible* - Apr 11 2023

web in the 30th anniversary year to mark his unmatched run jahangir khan 555 the untold story behind squash s invincible champion and sport s greatest unbeaten run dissects his early upbringing

*jahangir khan 555 the untold story behind squash s invincible* - Aug 03 2022

web buy jahangir khan 555 the untold story behind squash s invincible champion and sport s greatest unbeaten run by gilmour rod online on amazon ae at best prices fast and free shipping free returns cash on delivery available on eligible purchase

**jahangir khan 555 the untold story behind squash s invincible** - Aug 15 2023

web feb 1 2017 from 1981 to 1986 pakistani squash great jahangir khan went undefeated to herald the longest unbeaten run in sport in the 30th anniversary of his incredible achievements the book dissects his five year run the extent his rivals went to even to win a game and tellingly brings to an end the long held belief that he went 555 matches

**conqueror of the world squash magazine** - Dec 07 2022

web dec 9 2016 the story of jahangir khan isn t really untold although gilmour thatcher call dicky rutnagur the doyen of the squash press of that era and slide in a supererogatory but funny tale about him they oddly don t list rutnagur s 1997 book

khans unlimited in their bibliography

[jahangir khan 555 the un yumpu](#) - Jun 01 2022

web jahangir khan 555 the un jahangir khan 555 the untold story behind squash s invincible champion and sport s greatest unbeaten runcopy link

**jahangir khan 555 the untold story behind squash s invincible** - Mar 10 2023

web in the 30th anniversary year to mark his unmatched run jahangir khan 555 the untold story behind squash s invincible champion and sport s greatest unbeaten run dissects his early upbringing how the then 17 year old embarked on the five year run following the tragic death of his brother the pressure he ultimately faced to succeed from an

*e book download jahangir khan 555 the untold story behind squash* - Mar 30 2022

web apr 6 2020 jahangir khan 555 the untold story behind squash s invincible champion and sports greatest unbeaten run book detail paperback 288 pages publisher pitch publishing february 1 2017 language english isbn 10 1785312189 isbn 13 978 1785312182

*jahangir khan 555 the untold story behind squash s invincible* - Nov 06 2022

web from 1981 to 1986 pakistani squash great jahangir khan went undefeated to herald the longest unbeaten run in world sports until his streak came to an end at the 1986 world championships in the 30th anniversary year to mark his unmatched run jahangir khan 555 the untold story behind squash s invincible champion and sport s greatest

**jahangir khan 555 the untold story behind squash s invincible** - Oct 05 2022

web abebooks com jahangir khan 555 the untold story behind squash s invincible champion and sport s greatest unbeaten run 9781785312182 by gilmour rod and a great selection of similar new used and collectible books available now at great prices

**jahangir khan 555 the untold story behind squash s invincible** - Apr 30 2022

web jahangir khan 555 the untold story behind squash s invincible champion and sport s greatest unbeaten run gilmour rod amazon sg books

*jahangir khan 555 the untold story behind squash s invincible* - Jun 13 2023

web nov 11 2016 jahangir khan s legendary run of unbeaten squash matches in the 1980s is chronicled in a new book jahangir khan 555 the untold story behind squash s invincible champion sport s greatest

**555 the untold story behind squash s invincible champion jahangir khan** - Jul 14 2023

web record breaking squash player jahangir khan who won 555 consecutive competitive matches joined the likes of sachin tendulkar mutiah muralitharan ms dhoni in receiving the honour of outstanding achievement in sport award at the 8th edition of the asian awards staged at london hilton park lane

**pdf read jahangir khan 555 the untold story behind squash** - Feb 26 2022

web link download agfile abebook cc b01mtmob46 description jahangir khan 555 the untold story behind squash s invincible champion and sport s

*jahangir khan 555 the untold story behind squash s invincible* - Feb 09 2023

web fascinating detailed account of the career of one of the greatest sportsmen in human history squash legend jahangir khan and his unbeaten run of 555 consecutive professional wins what drove him to the heights he achieved and

**does anyone know what the answers are for e2020 final exam spanish 1** - Feb 17 2023

web may 9 2023 answer try this it might help explanation spanish 1 final exam 2020 created by senoraditty

**spanish 1 final exam semester 1 flashcards quizlet** - Jun 21 2023

web a daniel le gustan los dinosaurios daniel likes dinosaurs Él dice me gustan los dinosaurios porque los dinosaurios son enormes he says i like dinosaurs because dinosaurs are enormous esta muchacha se llama sam this girl s name is sam sam es alta y responsable sam is tall and responsible

**chapter answers for e2020 spanish 1 mareybook blogspot com** - Apr 19 2023

web jun 21 2020 this chapter answers for e2020 spanish 1 pdf file start following intro brief outing until the index glossary page see at the table of content for additional information if provided it s going to discuss primarily something like the past mentioned topic in conjunction with much more instruction connected to it as per our directory this

*e2020 spanish 1 answer keys virtualevents straumann com* - Jun 09 2022

web sep 16 2023 title e2020 spanish 1 answer keys author virtualevents straumann com 2023 09 16 15 54 17 subject e2020 spanish 1 answer keys keywords e2020 spanish 1 answer keys

**e2020 spanish 1 answer keys zapmap nissan co** - Apr 07 2022

web 2 e2020 spanish 1 answer keys 2022 07 03 oppression with deadly precision enrique s journey courier corporation documents the journey of a honduran teen who braved hardship and peril to reunite with his mother after she was forced to leave him behind and seek migratory work in the united states

download e2020 spanish answers joseph minks - Mar 18 2023

web nov 7 2020 learn e spanish with free interactive flashcards choose from different sets of e spanish flashcards on quizlet e spanish 1 answer keys is available in our digital library an online access to it is set as public so you can download it instantly e spanish 1 answer keys pdf test1 ru e spanish 1 vocab flashcards quizlet

edgenuity answer key r edgenuity reddit - Jul 22 2023

web edgenuity answer key dm is preferable i m remaking this so it ll be more coherent i ve been adding the answer key to my world history and biology course i made this because i was having to do all the research and i would ve loved it if someone

had already done this so now that it s made i hope it helps a lot of people to get work done

**e2020 spanish flashcards and study sets quizlet** - Sep 24 2023

web learn e2020 spanish with free interactive flashcards choose from 5 000 different sets of e2020 spanish flashcards on quizlet

**e2020 spanish 1 answer keys pdf copy gccca eu** - Oct 13 2022

web apr 5 2023 connections if you intend to download and install the e2020 spanish 1 answer keys pdf it is no question simple then before currently we extend the associate to purchase and create bargains to download and install e2020 spanish 1 answer keys pdf fittingly simple discover debate michael h lubetsky 2007

*e2020 answers florida virtual school blogger* - Sep 12 2022

web feb 26 2015 e2020 answers are acquired through an external online repository of questions updated frequently this is the only way to get e2020 answers using a program version 2 1 update features auto pilot automatically goes through an entire e2020 course and fills in e2020 answers including direct instructions quizzes reviews

**e2020 spanish 1 vocab flashcards quizlet** - Aug 23 2023

web buenos días good day nos vemos see you later qué hay what s happening hola hello cómo estás how are you bien good y tú and you buenas noches

*e2020 spanish 1 answer keys online kptm edu my* - Mar 06 2022

web title e2020 spanish 1 answer keys author online kptm edu my 2023 09 14 06 28 22 subject e2020 spanish 1 answer keys keywords e2020 spanish 1 answer keys

*yds yabancı dil bilgisi seviye tespiti sınavı osym gov tr* - Jan 16 2023

web duyuru 12 temmuz 2020 12 temmuz 2020 tarihinde yapılan değerlendirme işlemleri tamamlanmıştır sınav sonuçları 12 temmuz 2020 tarihinde saat 18 20 de Ösym nin sonuc osym gov tr internet adresinden açıklandı adaylar sınav sonuçlarını belirtilen internet adresinden t c kimlik numaraları ve şifreleri ile öğrenebileceklerdir

**e2020 spanish 1 answers help discoveram** - Feb 05 2022

web may 27 2023 e2020 spanish 1 answers is at hand in our text gathering an online access to it is set as public so you can get it instantly we pay off for you this fitting as skillfully as basic arrogance to obtain those all

**edgenuity answer keys for spanish 1 secure4 khronos** - Aug 11 2022

web may 31 2023 e2020 spanish 2 answer key amy girbia loading edgenuity what is my grade spanish 1 speaking final read and download edgenuity answer keys for spanish 1 free ebooks in pdf format rendezvous with rama 1 arthur c clarke new nations emerge pearson quiz

e2020 spanish 1 answers copy - Jul 10 2022

web jul 8 2023 1 e2020 spanish 1 answers recognizing the pretentiousness ways to get this ebook e2020 spanish 1 answers is additionally useful you have remained in right site to begin getting this info get the e2020 spanish 1 answers member that we offer here and check out the link you could buy guide e2020 spanish 1 answers or acquire it as soon  
*download solutions e2020 spanish 1 answer keys* - Dec 15 2022

web 1 e2020 spanish 1 answer keys spanish grades 1 3 jan 09 2023 learn about spanish helps your child practice fundamental beginner level spanish vocabulary the activities in this workbook include counting numbers 0 20 reading sentences and action words identifying colors body parts family and places and writing spanish words

**span2360 edgenuity answers spanish 2 pdf course hero** - May 20 2023

web filesize 541 kb language english published june 26 2016 viewed 4 875 times e2020 spanish 1 semester 2 final answers booklection com other results edgenuity english 3 semester 2 answers pdf slideblast answers for edgenuity english 2 com download edgenuity english 3 semester 2 answers pdf best of all they are entirely

**answers for e2020 spanish 1 pdf ebook fromusawithlove ru** - May 08 2022

web choose from 500 different sets of flashcards about e2020 spanish 1 on quizlet 1 answer re e2020 trigonometric quiz the first decision is a choice between  $y = \cos b x + h$  and  $y = \sin b x + h$  starting at the green point which general pattern add your answer tips for a great answer answer the question

*e2020 semester 2 spanish 2 exam words flashcards quizlet* - Nov 14 2022

web usos de por the object or goal of action because of on behalf of to fetch por exchange duration of time motion manners or means usos de para in order to para the purpose of doing something comparison time or date destination as a place or recipient astrasada

**virtual lab series circuit phet interactive simulations** - Dec 20 2021

*phet simulation answer key answers for 2023 exams* - Jul 27 2022

web make waves with a dripping faucet audio speaker or laser adjust frequency and amplitude and observe the effects hear the sound produced by the speaker and discover what

**24 molarity phet lab answer key your ultimate chemistry lab** - May 25 2022

**phet ramp complete lab forces virtual lab** - Nov 30 2022

web apr 26 2023 24 molarity phet lab answer key your ultimate chemistry lab companion ideas april 26 2023 admin 24 molarity phet lab reply key your final

*waves on a string remote lab studocu* - Oct 10 2023

web phet is supported in part by and other supporters including educators like you free science and math simulations for teaching stem topics including physics chemistry

**phet acid base solutions chemistry libretexts** - Mar 03 2023

web mar 9 2017 guided activity lab duration 60 minutes answers included no language english keywords solute electrolyte non electrolyte solution solvent simulation s

**phet simulations chemistry libretexts** - Apr 04 2023

web apr 12 2017 properties of waves lab guide description activity guide for middle school students to explore the relationship between amplitude wavelength frequency and

**isotopes and atomic mass phet interactive simulations** - Feb 19 2022

**pdf answer key build an atom elle** - Aug 08 2023

web phet molecules and light do you ever wonder how a greenhouse gas affects the climate or why the ozone layer is important use the sim to explore how light interacts with

*lab phet investigation of acids bases studocu* - Jul 07 2023

web how do strong and weak acids differ use lab tools on your computer to find out dip the paper or the probe into solution to measure the ph or put in the electrodes to measure

*states of matter basics phet interactive simulations* - Jun 06 2023

web view answer key for universal gravitation phet lab pdf from english 102 at menchville high answer key for universal gravitation phet lab free pdf ebook download

**properties of waves lab guide phet contribution** - Sep 28 2022

web as this answer key to phet labs it ends taking place innate one of the favored books answer key to phet labs collections that we have this is why you remain in the best

**answer key to phet labs bing blog with pdf links pdf4pro** - Jun 25 2022

web build circuits with batteries resistors ideal and non ohmic light bulbs fuses and switches determine if everyday objects are conductors or insulators and take measurements with

**answer key to phet labs help environment harvard edu** - Mar 23 2022

**answer key for universal gravitation phet lab docplayer** - Oct 30 2022

web answer key to phet labs getting the books answer key to phet labs now is not type of challenging means you could not and no one else going taking into consideration books

[exploring projectile motion interactive phet lab and answer key](#) - May 05 2023

web this pdf book include universal gravitation answer key document to download free 8 law of universal gravitation you need to law of key law of key 3 if the gravitational force

**phet free online physics chemistry biology earth** - Sep 09 2023

web one of the key answers to the lab involves understanding the relationship between the angle of launch and the range or horizontal distance covered by the projectile as

**waves intro frequency amplitude wave speed phet** - Jan 21 2022

[introductions to solutions phet contribution](#) - Aug 28 2022

web are all atoms of an element the same how can you tell one isotope from another use the sim to learn about isotopes and how abundance relates to the average atomic mass of

[answer key for universal gravitation phet lab pdf answer](#) - Feb 02 2023

web phet simulation lab answer key mylibrary org phet simulation lab answer key 1104 kb s 7784 phet colorado eduphet free online physics chemistry biology earth

**ph et lab week 2 phet lab week 2 work** - Jan 01 2023

web faraday s electromagnetic lab answers diffraction phet lab answer key answer key torque moment of inertia and angular answer key to phet labs pdf free pdf

**answer key to phet labs help environment harvard edu** - Apr 23 2022