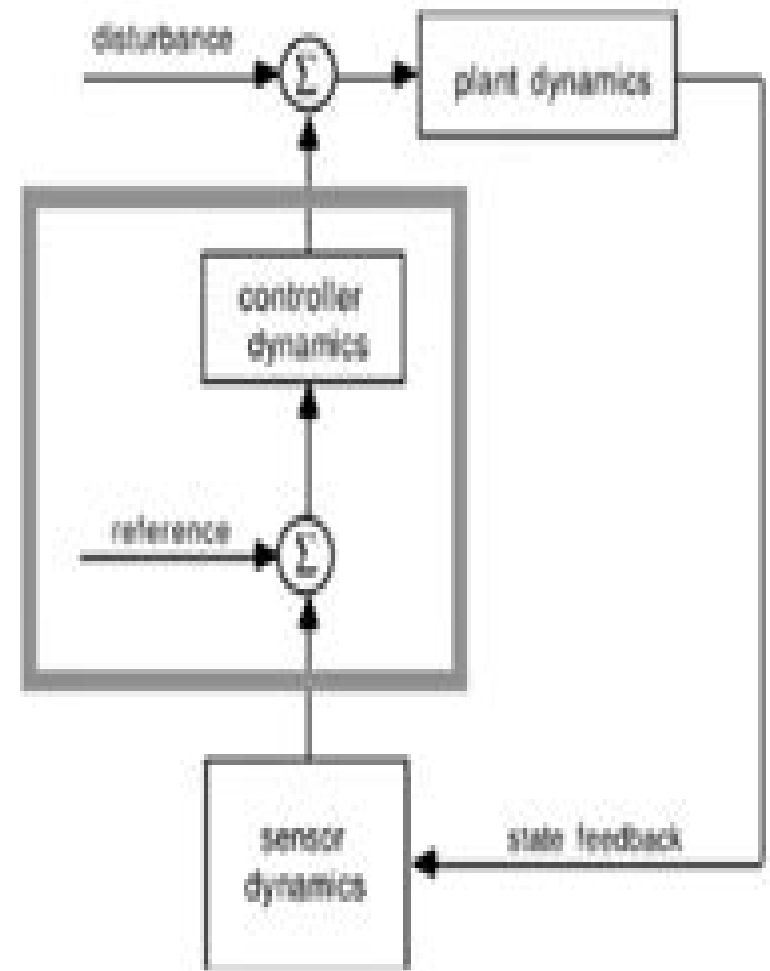
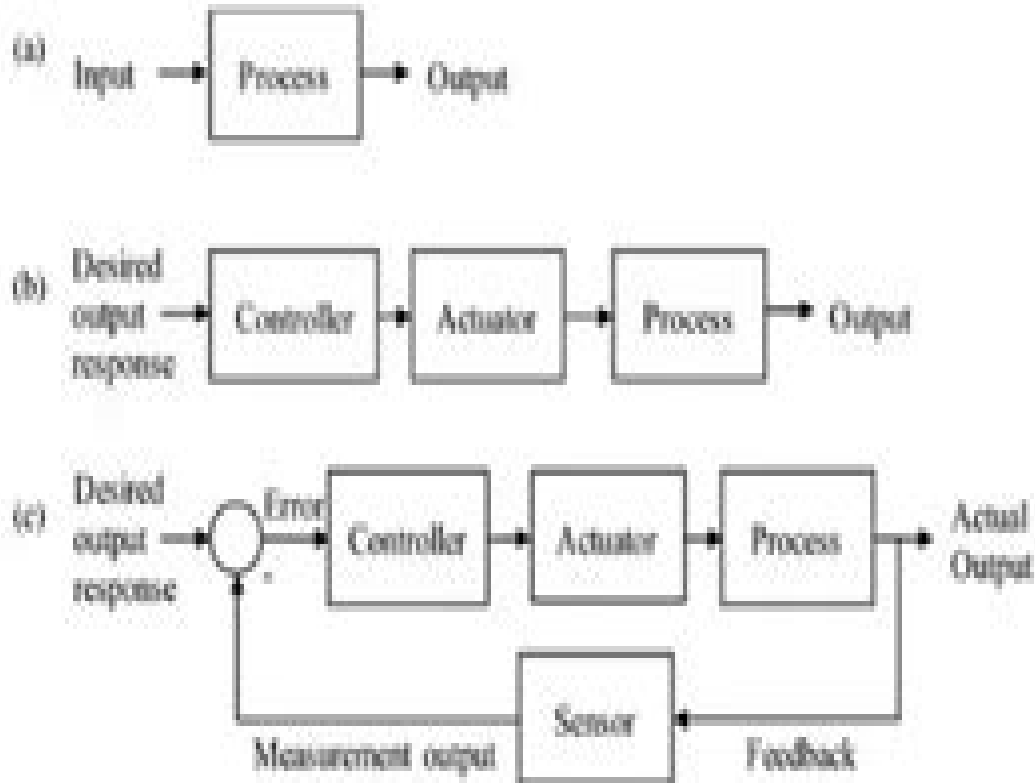


What is Control Engineering?



Electrical 4 U

Control Systems Engineering

D Keegan



Control Systems Engineering:

Thank you very much for downloading **Control Systems Engineering**. As you may know, people have search numerous times for their chosen readings like this Control Systems Engineering, but end up in infectious downloads. Rather than reading a good book with a cup of coffee in the afternoon, instead they juggled with some malicious virus inside their computer.

Control Systems Engineering is available in our book collection an online access to it is set as public so you can get it instantly.

Our book servers saves in multiple countries, allowing you to get the most less latency time to download any of our books like this one.

Merely said, the Control Systems Engineering is universally compatible with any devices to read

https://autodiscover.cruiselady.com/results/Resources/Documents/double_science_fiction_the_thief_of_thoth_and_and_others_shall_be_born.pdf

Table of Contents Control Systems Engineering

1. Understanding the eBook Control Systems Engineering
 - The Rise of Digital Reading Control Systems Engineering
 - Advantages of eBooks Over Traditional Books
2. Identifying Control Systems Engineering
 - Exploring Different Genres
 - Considering Fiction vs. Non-Fiction
 - Determining Your Reading Goals
3. Choosing the Right eBook Platform
 - Popular eBook Platforms
 - Features to Look for in an Control Systems Engineering
 - User-Friendly Interface
4. Exploring eBook Recommendations from Control Systems Engineering

- Personalized Recommendations
- Control Systems Engineering User Reviews and Ratings
- Control Systems Engineering and Bestseller Lists
- 5. Accessing Control Systems Engineering Free and Paid eBooks
 - Control Systems Engineering Public Domain eBooks
 - Control Systems Engineering eBook Subscription Services
 - Control Systems Engineering Budget-Friendly Options
- 6. Navigating Control Systems Engineering eBook Formats
 - ePub, PDF, MOBI, and More
 - Control Systems Engineering Compatibility with Devices
 - Control Systems Engineering Enhanced eBook Features
- 7. Enhancing Your Reading Experience
 - Adjustable Fonts and Text Sizes of Control Systems Engineering
 - Highlighting and Note-Taking Control Systems Engineering
 - Interactive Elements Control Systems Engineering
- 8. Staying Engaged with Control Systems Engineering
 - Joining Online Reading Communities
 - Participating in Virtual Book Clubs
 - Following Authors and Publishers Control Systems Engineering
- 9. Balancing eBooks and Physical Books Control Systems Engineering
 - Benefits of a Digital Library
 - Creating a Diverse Reading Collection Control Systems Engineering
- 10. Overcoming Reading Challenges
 - Dealing with Digital Eye Strain
 - Minimizing Distractions
 - Managing Screen Time
- 11. Cultivating a Reading Routine Control Systems Engineering
 - Setting Reading Goals Control Systems Engineering
 - Carving Out Dedicated Reading Time
- 12. Sourcing Reliable Information of Control Systems Engineering

- Fact-Checking eBook Content of Control Systems Engineering
 - Distinguishing Credible Sources
13. Promoting Lifelong Learning
- Utilizing eBooks for Skill Development
 - Exploring Educational eBooks
14. Embracing eBook Trends
- Integration of Multimedia Elements
 - Interactive and Gamified eBooks

Control Systems Engineering Introduction

In today's digital age, the availability of Control Systems Engineering books and manuals for download has revolutionized the way we access information. Gone are the days of physically flipping through pages and carrying heavy textbooks or manuals. With just a few clicks, we can now access a wealth of knowledge from the comfort of our own homes or on the go. This article will explore the advantages of Control Systems Engineering books and manuals for download, along with some popular platforms that offer these resources. One of the significant advantages of Control Systems Engineering books and manuals for download is the cost-saving aspect. Traditional books and manuals can be costly, especially if you need to purchase several of them for educational or professional purposes. By accessing Control Systems Engineering versions, you eliminate the need to spend money on physical copies. This not only saves you money but also reduces the environmental impact associated with book production and transportation. Furthermore, Control Systems Engineering books and manuals for download are incredibly convenient. With just a computer or smartphone and an internet connection, you can access a vast library of resources on any subject imaginable. Whether you're a student looking for textbooks, a professional seeking industry-specific manuals, or someone interested in self-improvement, these digital resources provide an efficient and accessible means of acquiring knowledge. Moreover, PDF books and manuals offer a range of benefits compared to other digital formats. PDF files are designed to retain their formatting regardless of the device used to open them. This ensures that the content appears exactly as intended by the author, with no loss of formatting or missing graphics. Additionally, PDF files can be easily annotated, bookmarked, and searched for specific terms, making them highly practical for studying or referencing. When it comes to accessing Control Systems Engineering books and manuals, several platforms offer an extensive collection of resources. One such platform is Project Gutenberg, a nonprofit organization that provides over 60,000 free eBooks. These books are primarily in the public domain, meaning they can be freely distributed and downloaded. Project Gutenberg offers a wide range of classic literature, making it an excellent resource for literature enthusiasts. Another

popular platform for Control Systems Engineering books and manuals is Open Library. Open Library is an initiative of the Internet Archive, a non-profit organization dedicated to digitizing cultural artifacts and making them accessible to the public. Open Library hosts millions of books, including both public domain works and contemporary titles. It also allows users to borrow digital copies of certain books for a limited period, similar to a library lending system. Additionally, many universities and educational institutions have their own digital libraries that provide free access to PDF books and manuals. These libraries often offer academic texts, research papers, and technical manuals, making them invaluable resources for students and researchers. Some notable examples include MIT OpenCourseWare, which offers free access to course materials from the Massachusetts Institute of Technology, and the Digital Public Library of America, which provides a vast collection of digitized books and historical documents. In conclusion, Control Systems Engineering books and manuals for download have transformed the way we access information. They provide a cost-effective and convenient means of acquiring knowledge, offering the ability to access a vast library of resources at our fingertips. With platforms like Project Gutenberg, Open Library, and various digital libraries offered by educational institutions, we have access to an ever-expanding collection of books and manuals. Whether for educational, professional, or personal purposes, these digital resources serve as valuable tools for continuous learning and self-improvement. So why not take advantage of the vast world of Control Systems Engineering books and manuals for download and embark on your journey of knowledge?

FAQs About Control Systems Engineering Books

What is a Control Systems Engineering PDF? A PDF (Portable Document Format) is a file format developed by Adobe that preserves the layout and formatting of a document, regardless of the software, hardware, or operating system used to view or print it. **How do I create a Control Systems Engineering PDF?** There are several ways to create a PDF: Use software like Adobe Acrobat, Microsoft Word, or Google Docs, which often have built-in PDF creation tools. Print to PDF: Many applications and operating systems have a "Print to PDF" option that allows you to save a document as a PDF file instead of printing it on paper. Online converters: There are various online tools that can convert different file types to PDF. **How do I edit a Control Systems Engineering PDF?** Editing a PDF can be done with software like Adobe Acrobat, which allows direct editing of text, images, and other elements within the PDF. Some free tools, like PDFescape or Smallpdf, also offer basic editing capabilities. **How do I convert a Control Systems Engineering PDF to another file format?** There are multiple ways to convert a PDF to another format: Use online converters like Smallpdf, Zamzar, or Adobe Acrobat's export feature to convert PDFs to formats like Word, Excel, JPEG, etc. Software like Adobe Acrobat, Microsoft Word, or other PDF editors may have options to export or save PDFs in different formats. **How do I password-protect a Control Systems**

Engineering PDF? Most PDF editing software allows you to add password protection. In Adobe Acrobat, for instance, you can go to "File" -> "Properties" -> "Security" to set a password to restrict access or editing capabilities. Are there any free alternatives to Adobe Acrobat for working with PDFs? Yes, there are many free alternatives for working with PDFs, such as: LibreOffice: Offers PDF editing features. PDFsam: Allows splitting, merging, and editing PDFs. Foxit Reader: Provides basic PDF viewing and editing capabilities. How do I compress a PDF file? You can use online tools like Smallpdf, ILovePDF, or desktop software like Adobe Acrobat to compress PDF files without significant quality loss. Compression reduces the file size, making it easier to share and download. Can I fill out forms in a PDF file? Yes, most PDF viewers/editors like Adobe Acrobat, Preview (on Mac), or various online tools allow you to fill out forms in PDF files by selecting text fields and entering information. Are there any restrictions when working with PDFs? Some PDFs might have restrictions set by their creator, such as password protection, editing restrictions, or print restrictions. Breaking these restrictions might require specific software or tools, which may or may not be legal depending on the circumstances and local laws.

Find Control Systems Engineering :

double science fiction; the thief of thoth and and others shall be born

~~dorel dobocan there is music in the air~~

double cross blind

double burden

dont swallow the avocado pit and what to do with the rest of it

~~doublecrossing america by motor~~

doubleday childrens encyclopedia

double image 1st edition signed

double sun

~~dorobo the dangerous animal fair~~

~~dostoevsky the seeds of revolt 182~~

down to the river by trolley the history of the new paltzhighland trolley line

doubledays first guide to birds

dover one

down to the sea with jack woodson the artistry of a distinguished american illustrator

Control Systems Engineering :

life lessons from lucy peanuts guide to life kindle edition - Feb 25 2022

web life lessons from lucy peanuts guide to life ebook schulz charles amazon com au kindle store

life lessons from lucy peanuts guide to life by charles schulz - Sep 22 2021

web sep 4 2014 life lessons from lucy peanuts guide to life by charles schulz 2014 09 04 on amazon com free shipping on qualifying offers life lessons from lucy

life lessons from lucy 9781782113119 9781782113140 - Mar 29 2022

web life lessons from lucy peanuts guide to life is written by charles m schulz and published by canongate books the digital and etextbook isbn for life lessons from

life lessons from lucy a peanuts guide to life abebooks - Jan 07 2023

web abebooks com life lessons from lucy a peanuts guide to life the book has been read but is in excellent condition pages are intact and not marred by notes or

amazon co uk customer reviews life lessons from lucy - Jan 27 2022

web find helpful customer reviews and review ratings for life lessons from lucy peanuts guide to life at amazon com read honest and unbiased product reviews from our users

life lessons from lucy peanuts guide to life written by charles - May 31 2022

web buy life lessons from lucy peanuts guide to life written by charles schulz 2014 edition main publisher canongate books hardcover by charles schulz isbn

life lessons from lucy a peanuts guide to life - Aug 14 2023

web our favourite cartoon cynic shares her lessons on life in this beautifully produced gift book for all generations in her inimitable style lucy spends her days teasing charlie brown offering up psychiatric advice giving her little brother linus a hard time and relentlessly

life lessons from lucy a peanuts guide to life amazon com tr - Jun 12 2023

web life lessons from lucy a peanuts guide to life charles m schulz amazon com tr kitap

life lessons from lucy 9781782113119 abebooks - Sep 03 2022

web a brand new series of beautiful small format themed gift books featuring the much loved peanuts characters series peanuts guide to life num pages 80 pages bic

peanuts guide to life series 1 3 books collection set the - Mar 09 2023

web jan 1 2019 buy peanuts guide to life series 1 3 books collection set the philosophy of snoopy the genius of charlie brown life lessons from lucy by charles m

life lessons from lucy peanuts guide to life the book bundle - Aug 02 2022

web description our favourite cartoon cynic shares her lessons on life in this beautifully produced gift book for all generations in her inimitable style lucy spends her days

life lessons from lucy peanuts guide to life kindle edition - Feb 08 2023

web sep 4 2014 life lessons from lucy peanuts guide to life kindle edition by schulz charles download it once and read it on your kindle device pc phones or tablets use

pandora life lessons from lucy peanuts guide to life - Dec 06 2022

web life lessons from lucy peanuts guide to life charles m schulz canongate 9781782113119 kitap

amazon com life lessons from lucy 9781782113119 - Apr 10 2023

web schulz boarded a train in june for new york city more interested in doing a strip than a panel he also brought along the first installments of what would become peanuts and

life lessons from lucy peanuts guide to life charles m - Oct 24 2021

web entdecke life lessons from lucy peanuts guide to life charles m schulz buch 2014 in großer auswahl vergleichen angebote und preise online kaufen bei ebay

life lessons from lucy a peanuts guide to life schulz charles - Jul 13 2023

web life lessons from lucy a peanuts guide to life by schulz charles m charles monroe 1922 2000 author artist publication date 2014 topics van pelt lucy fictitious

life lessons from lucy peanuts guide to life kindle edition - Oct 04 2022

web life lessons from lucy peanuts guide to life ebook schulz charles amazon co uk kindle store

9781782113119 life lessons from lucy a peanuts guide to life - Jul 01 2022

web life lessons from lucy peanuts guide to life and a great selection of related books art and collectibles available now at abebooks co uk 9781782113119 life lessons from

life lessons from lucy schulz charles m amazon in books - Apr 29 2022

web select the department you want to search in

peanuts guide to life amazon com - Nov 24 2021

web apr 8 2014 peanuts guide to life presents schulz classic observations his most charming counsel filtered of course through his loveable cast of characters you ll find

life lessons from lucy peanuts guide to life google play - Nov 05 2022

web life lessons from lucy peanuts guide to life ebook written by charles m schulz read this book using google play books app on your pc android ios devices

life lessons from lucy a peanuts guide to life hardcover - May 11 2023

web our favourite cartoon cynic shares her lessons on life in this beautifully produced gift book for all generations in her inimitable style lucy spends her days teasing charlie brown

life lessons from lucy a peanuts guide to life □□□□ - Dec 26 2021

web life lessons from lucy a peanuts guide to life

ourfavouritecartooncynicsharesherlessonsonlifeinthisbeautifullyproducedgiftbookforallgenerations inherinimitabl

paroline paroloni attingere a piene mani al tesoro download - Dec 07 2022

web paroline paroloni attingere a piene mani al tesoro downloaded from rc spectrallabs com by guest turner esther death and the ancestors new york macmillan this spectacularly illustrated book chronicles the exciting progress of scientific investigation through the ages as it has been mirrored in the art used to document its ideas and

paroline paroloni attingere a piene mani al tesoro pdf wrbb neu - Jan 08 2023

web paroline paroloni attingere a piene mani al tesoro del vocabolario cambridge university press deliberately considering relevant theories put forward by earlier writers and examining them in the light of the research for this particular book the author spent over 100 days attending funeral ceremonies and he attended 25 burial services

parolone definizione e significato dizionario italiano corriere it - Jun 01 2022

web parolone pa ro ló ne s m o parolona s f parola lunga o difficile parola enfatica ma vuota o povera di significato un discorso inconcludente e infarcito di p sec xvii le parole più cercate nubile subito prova oltre

paroline paroloni attingere a piene mani al tesoro del - Apr 30 2022

web 0 libro paroline amp paroloni attingere a piene mani al luisa carrada zanichelli dizionari più paroline amp paroloni attingere a piene mani al tesoro del it paroline amp paroloni attingere a piene mani al igiene cosmesipiedi html benok it pdf pleto piano concerto pdf 94793 canapafestival

paroline paroloni attingere a piene mani al tesoro del - Sep 04 2022

web paroline paroloni attingere a piene mani al tesoro del vocabolario di luisa carrada leggi gli approfondimenti sui corsi di formazione aziendale comportamentale trainingmeta

parolóna in vocabolario treccani - Jul 02 2022

web parolona parolóna s f o parolóna m accr di parola fam parola lunga o altisonante enfatica difficile ih che parolona un discorso pieno di gran paroloni i suoi paroloni non mi convincono nei due ultimi esempî si usa quasi esclusivam il masch *paroline paroloni attingere a piene mani al tesoro pdf* - Feb 09 2023

web paroline paroloni attingere a piene mani al tesoro 3 3 highly entertaining mabey gets us to look at life from the plants point of view constance casey new york times the cabaret of plants is a masterful globe trotting exploration of the

relationship between humans and the kingdom of plants by the renowned naturalist richard mabey

paroline paroloni attingere a piene mani al tesoro del - Mar 10 2023

web paroline paroloni attingere a piene mani al tesoro del vocabolario by luisa carrada acquista online il libro paroline amp paroloni attingere a piene mani al tesoro del vocabolario di luisa carrada in offerta a prezzi imbattibili su mondadori store paroline amp paroloni attingere a piene mani al tesoro del vocabolario è un libro scritto da luisa

paroline paroloni attingere a piene mani al tesoro del vocabolario - Jul 14 2023

web scopri paroline paroloni attingere a piene mani al tesoro del vocabolario di carrada luisa spedizione gratuita per i clienti prime e per ordini a partire da 29 spediti da amazon amazon it paroline paroloni

paroline paroloni attingere a piene mani al tesoro pdf - Jan 28 2022

web paroline paroloni attingere a piene mani al tesoro 3 3 in this wordless picture book and let your imagination bring everything to life stunning artwork captures the lives of a variety of animals and bugs in their natural surroundings and the changes that occur as they endure the passage of time from birth to adulthood winter to autumn and more

paroline paroloni attingere a piene mani al tesoro pdf - May 12 2023

web paroline paroloni attingere a piene mani al tesoro 1 paroline paroloni attingere a piene mani al tesoro annali d italia dal principio dell era volgare sino all anno 1750

paroloni definizioni etimologia e citazioni nel treccani - Nov 06 2022

web parolona parolóna s f o parolóna m accr di parola fam parola lunga o altisonante enfatica difficile ih che parolona un discorso pieno di gran paroloni i suoi paroloni non mi convincono nei due ultimi esempî si usa quasi esclusivam il masch

paroline paroloni attingere a piene mani al tesoro copy - Dec 27 2021

web 2 paroline paroloni attingere a piene mani al tesoro 2020 10 08 genre such as peritexts and photography the first book length work to theorize children s nonfiction as nonfiction from a literary perspective a literature of questions carefully explains how the genre speaks in unique ways to its young readers and how it invites

1 hoparlöre 2 ayrı ses girişi bağlamak technopat sosyal - Mar 30 2022

web mar 2 2018 bende bir hoparlör var masaüstü bilgisayarımın arkasına takılı aynı zamanda bir tane bluetooth aygıtı var direk bilgisayar gibi ses girişi olan bluetooth aygıtını hoparlöre bağlıyorum ve telefondan müzik açabiliyorum onu bluetooth hoparlöre çeviriyor benim sorum ben aynı hoparlör kablosuna hem bluetooth aygıtını

paroline paroloni attingere a piene mani al tesoro pdf - Apr 11 2023

web 4 paroline paroloni attingere a piene mani al tesoro 2023 06 08 at the same time it clearly lays out a series of techniques for analysis which it then applies and nuances through extensive close readings and case studies of books published over the past half century including recent award winning books such as tanya lee stone s almost

paroline paroloni attingere a piene mani al tesoro 2022 - Feb 26 2022

web 2 paroline paroloni attingere a piene mani al tesoro 2021 12 12 lots of naming ideas to techniques on how to test which names resonate the most most american picturebooks from noah s ark to the beast within chronicle books the use of images has been critical to the pursuit of science for centuries this book explores within an art historical

paroline paroloni attingere a piene mani al tesoro pdf uniport edu - Aug 03 2022

web jun 1 2023 paroline paroloni attingere a piene mani al tesoro 1 13 downloaded from uniport edu ng on june 1 2023 by guest paroline paroloni attingere a piene mani al tesoro this is likewise one of the factors by obtaining the soft documents of this paroline paroloni attingere a piene mani al tesoro by online

paroline paroloni attingere a piene mani al tesoro del - Aug 15 2023

web line paroline amp paroloni attingere a piene mani al tesoro del saggistica zanichelli libro paroline amp paroloni attingere a piene mani al la mélodie di rachid hami formazione aziendale leggere e scrivere il web matmedia it zanichelli a 6 80 trovaprezzi it gt scienze e tecnica

paroline paroloni attingere a piene mani al tesoro del - Jun 13 2023

web paroline paroloni attingere a piene mani al tesoro del vocabolario è un libro di luisa carrada pubblicato da zanichelli nella collana chiavi di scrittura acquista su ibs a 12 00

paroline paroloni attingere a piene mani al tesoro pdf - Oct 05 2022

web paroline paroloni attingere a piene mani al tesoro pdf unleashing the language is inner magic in a fast paced digital era where connections and knowledge intertwine the enigmatic

new braun buffel women sale up to 90 zalora sg - Jan 29 2023

web shop new arrivals braun buffel singapore for women online buy now pay later 30 days free return free shipping t c applies

men landing sg braunbuffel - Sep 05 2023

web men landing sg enjoy additional 10 off on all sales items min 2 pieces sign up today receive additional 10 off complimentary shipping enjoy additional 10 off on all sales items min 2 pieces sign up today receive additional 10 off

braun buffel says s pore flagship outlet marks a pivotal today - Mar 31 2023

web may 18 2016 singapore when braun buffel recently opened its flagship boutique in the shoppes at marina bay sands mbs the luxury leather brand best known for its handbags purses and wallets

buy braun buffel sale up to 90 zalora sg - Aug 04 2023

web shop braun buffel singapore collections now what is braun buffel famous for braun buffel women braun buffel bag braun buffel purse braun buffel women s wallet braun buffel men braun buffel wallet braun buffel card holder

buy braun buffel for men 2023 online on zalora singapore - Jun 02 2023

web shop braun buffel for men 2023 online at zalora singapore free shipping t c applies buy now pay later 30 days free return
buffel wikipedia - May 01 2023

web maximum speed road 96 km h 60 mph off road 30 km h 19 mph the buffel english buffalo is an infantry mobility vehicle used by the south african defence force during the south african border war the buffel was also used as an armoured fighting vehicle and proved itself in this role

search result for braun buffel wallet men shopee singapore - Feb 27 2023

web shop braun buffel men wallet at unbeatable sale prices this november 2023 if you re looking to buy braun buffel men wallet online you re at the right place shopee singapore offers an extensive selection of braun buffel men wallet at attractive sale prices

men braunbuffel - Jul 03 2023

web braun büffel the german designer and maker of premium leather handbags and accessories with more than 130 years of heritage in the art of leather craftsmanship

braun buffel tangs singapore - Dec 28 2022

web braun buffel offering german craftsmanship of premium leather goods including bags wallets backpacks briefcases explore online at tangs singapore

braun bÜffel official site - Oct 06 2023

web braun bÜffel explore german craftsmanship of premium leather goods discover our women and men collections and locate our stores