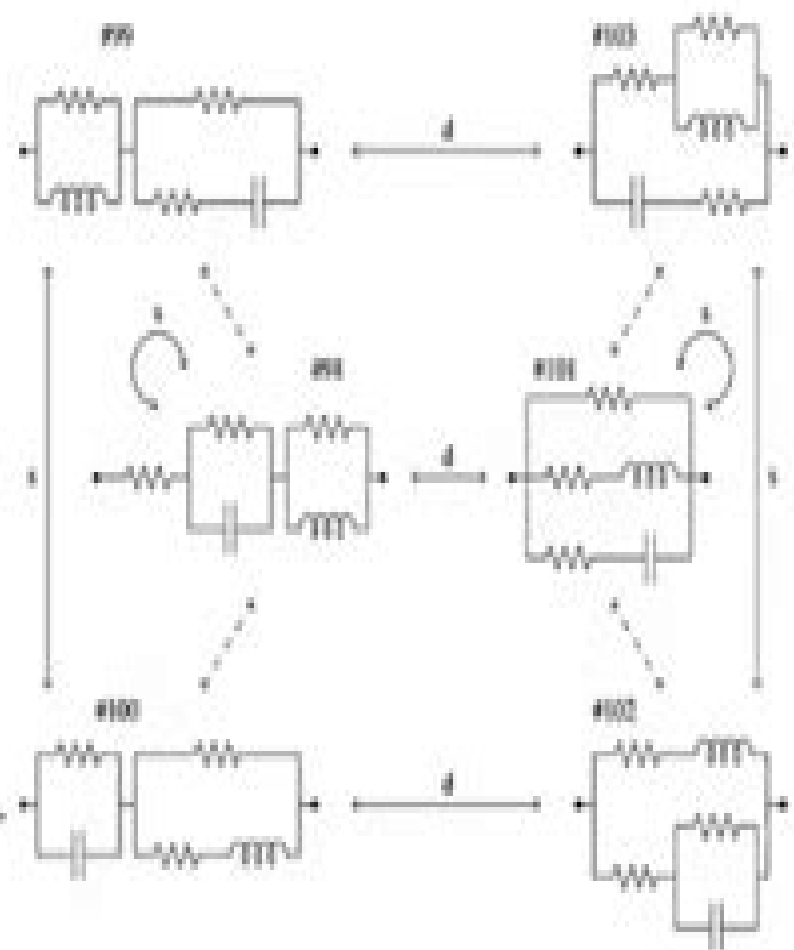


What is Network Synthesis?

$$Z(s) = \frac{a_0 + a_1 s^1 + a_2 s^2 + \dots + a_{n-1} s^{n-1}}{b_0 + b_1 s^1 + b_2 s^2 + \dots + b_n s^n}$$

On long division, we get...

$$Z(s) = \frac{a_0}{b_1 s} + \frac{c_1 + c_2 s^2 + \dots + c_n s^{n-1}}{b_1 s^1 + b_2 s^2 + \dots + b_n s^n}$$



Active Network Synthesis

IM Harris



Active Network Synthesis:

Decoding **Active Network Synthesis**: Revealing the Captivating Potential of Verbal Expression

In a period characterized by interconnectedness and an insatiable thirst for knowledge, the captivating potential of verbal expression has emerged as a formidable force. Its power to evoke sentiments, stimulate introspection, and incite profound transformations is genuinely awe-inspiring. Within the pages of "**Active Network Synthesis**," a mesmerizing literary creation penned with a celebrated wordsmith, readers set about an enlightening odyssey, unraveling the intricate significance of language and its enduring affect our lives. In this appraisal, we shall explore the book is central themes, evaluate its distinctive writing style, and gauge its pervasive influence on the hearts and minds of its readership.

https://autodiscover.cruiselady.com/About/uploaded-files/Documents/A_First_Dictionary_Of_Linguistics_And_Phonetics.pdf

Table of Contents Active Network Synthesis

1. Understanding the eBook Active Network Synthesis
 - The Rise of Digital Reading Active Network Synthesis
 - Advantages of eBooks Over Traditional Books
2. Identifying Active Network Synthesis
 - Exploring Different Genres
 - Considering Fiction vs. Non-Fiction
 - Determining Your Reading Goals
3. Choosing the Right eBook Platform
 - Popular eBook Platforms
 - Features to Look for in an Active Network Synthesis
 - User-Friendly Interface
4. Exploring eBook Recommendations from Active Network Synthesis
 - Personalized Recommendations
 - Active Network Synthesis User Reviews and Ratings
 - Active Network Synthesis and Bestseller Lists

5. Accessing Active Network Synthesis Free and Paid eBooks
 - Active Network Synthesis Public Domain eBooks
 - Active Network Synthesis eBook Subscription Services
 - Active Network Synthesis Budget-Friendly Options
6. Navigating Active Network Synthesis eBook Formats
 - ePub, PDF, MOBI, and More
 - Active Network Synthesis Compatibility with Devices
 - Active Network Synthesis Enhanced eBook Features
7. Enhancing Your Reading Experience
 - Adjustable Fonts and Text Sizes of Active Network Synthesis
 - Highlighting and Note-Taking Active Network Synthesis
 - Interactive Elements Active Network Synthesis
8. Staying Engaged with Active Network Synthesis
 - Joining Online Reading Communities
 - Participating in Virtual Book Clubs
 - Following Authors and Publishers Active Network Synthesis
9. Balancing eBooks and Physical Books Active Network Synthesis
 - Benefits of a Digital Library
 - Creating a Diverse Reading Collection Active Network Synthesis
10. Overcoming Reading Challenges
 - Dealing with Digital Eye Strain
 - Minimizing Distractions
 - Managing Screen Time
11. Cultivating a Reading Routine Active Network Synthesis
 - Setting Reading Goals Active Network Synthesis
 - Carving Out Dedicated Reading Time
12. Sourcing Reliable Information of Active Network Synthesis
 - Fact-Checking eBook Content of Active Network Synthesis
 - Distinguishing Credible Sources
13. Promoting Lifelong Learning

- Utilizing eBooks for Skill Development
 - Exploring Educational eBooks
14. Embracing eBook Trends
- Integration of Multimedia Elements
 - Interactive and Gamified eBooks

Active Network Synthesis Introduction

In this digital age, the convenience of accessing information at our fingertips has become a necessity. Whether its research papers, eBooks, or user manuals, PDF files have become the preferred format for sharing and reading documents. However, the cost associated with purchasing PDF files can sometimes be a barrier for many individuals and organizations. Thankfully, there are numerous websites and platforms that allow users to download free PDF files legally. In this article, we will explore some of the best platforms to download free PDFs. One of the most popular platforms to download free PDF files is Project Gutenberg. This online library offers over 60,000 free eBooks that are in the public domain. From classic literature to historical documents, Project Gutenberg provides a wide range of PDF files that can be downloaded and enjoyed on various devices. The website is user-friendly and allows users to search for specific titles or browse through different categories. Another reliable platform for downloading Active Network Synthesis free PDF files is Open Library. With its vast collection of over 1 million eBooks, Open Library has something for every reader. The website offers a seamless experience by providing options to borrow or download PDF files. Users simply need to create a free account to access this treasure trove of knowledge. Open Library also allows users to contribute by uploading and sharing their own PDF files, making it a collaborative platform for book enthusiasts. For those interested in academic resources, there are websites dedicated to providing free PDFs of research papers and scientific articles. One such website is Academia.edu, which allows researchers and scholars to share their work with a global audience. Users can download PDF files of research papers, theses, and dissertations covering a wide range of subjects. Academia.edu also provides a platform for discussions and networking within the academic community. When it comes to downloading Active Network Synthesis free PDF files of magazines, brochures, and catalogs, Issuu is a popular choice. This digital publishing platform hosts a vast collection of publications from around the world. Users can search for specific titles or explore various categories and genres. Issuu offers a seamless reading experience with its user-friendly interface and allows users to download PDF files for offline reading. Apart from dedicated platforms, search engines also play a crucial role in finding free PDF files. Google, for instance, has an advanced search feature that allows users to filter results by file type. By specifying the file type as "PDF," users can find websites that offer free PDF downloads on a specific topic. While downloading Active Network Synthesis free PDF files is convenient, its

important to note that copyright laws must be respected. Always ensure that the PDF files you download are legally available for free. Many authors and publishers voluntarily provide free PDF versions of their work, but it's essential to be cautious and verify the authenticity of the source before downloading Active Network Synthesis. In conclusion, the internet offers numerous platforms and websites that allow users to download free PDF files legally. Whether it's classic literature, research papers, or magazines, there is something for everyone. The platforms mentioned in this article, such as Project Gutenberg, Open Library, Academia.edu, and Issuu, provide access to a vast collection of PDF files. However, users should always be cautious and verify the legality of the source before downloading Active Network Synthesis any PDF files. With these platforms, the world of PDF downloads is just a click away.

FAQs About Active Network Synthesis Books

How do I know which eBook platform is the best for me? Finding the best eBook platform depends on your reading preferences and device compatibility. Research different platforms, read user reviews, and explore their features before making a choice. Are free eBooks of good quality? Yes, many reputable platforms offer high-quality free eBooks, including classics and public domain works. However, make sure to verify the source to ensure the eBook's credibility. Can I read eBooks without an eReader? Absolutely! Most eBook platforms offer web-based readers or mobile apps that allow you to read eBooks on your computer, tablet, or smartphone. How do I avoid digital eye strain while reading eBooks? To prevent digital eye strain, take regular breaks, adjust the font size and background color, and ensure proper lighting while reading eBooks. What's the advantage of interactive eBooks? Interactive eBooks incorporate multimedia elements, quizzes, and activities, enhancing the reader engagement and providing a more immersive learning experience. Active Network Synthesis is one of the best books in our library for free trial. We provide a copy of Active Network Synthesis in digital format, so the resources that you find are reliable. There are also many eBooks related to Active Network Synthesis. Where to download Active Network Synthesis online for free? Are you looking for Active Network Synthesis PDF? This is definitely going to save you time and cash in something you should think about. If you're trying to find them, search around for online. Without a doubt, there are numerous of these available and many of them have the freedom. However, without a doubt, you receive whatever you purchase. An alternate way to get ideas is always to check another Active Network Synthesis. This method for seeing exactly what may be included and adopting these ideas to your book. This site will almost certainly help you save time and effort, money and stress. If you are looking for free books, then you really should consider finding to assist you try this. Several of Active Network Synthesis are for sale to free while some are payable. If you're not sure if the books you would like to download work with for usage along with your computer, it is possible to download free trials. The free guides make it easy for

someone to free access online library for download books to your device. You can get free download on free trial for lots of books categories. Our library is the biggest of these that have literally hundreds of thousands of different products categories represented. You will also see that there are specific sites catered to different product types or categories, brands or niches related with Active Network Synthesis. So depending on what exactly you are searching, you will be able to choose e books to suit your own need. Need to access completely for Campbell Biology Seventh Edition book? Access Ebook without any digging. And by having access to our ebook online or by storing it on your computer, you have convenient answers with Active Network Synthesis To get started finding Active Network Synthesis, you are right to find our website which has a comprehensive collection of books online. Our library is the biggest of these that have literally hundreds of thousands of different products represented. You will also see that there are specific sites catered to different categories or niches related with Active Network Synthesis So depending on what exactly you are searching, you will be able to choose ebook to suit your own need. Thank you for reading Active Network Synthesis. Maybe you have knowledge that, people have search numerous times for their favorite readings like this Active Network Synthesis, but end up in harmful downloads. Rather than reading a good book with a cup of coffee in the afternoon, instead they juggled with some harmful bugs inside their laptop. Active Network Synthesis is available in our book collection an online access to it is set as public so you can download it instantly. Our digital library spans in multiple locations, allowing you to get the most less latency time to download any of our books like this one. Merely said, Active Network Synthesis is universally compatible with any devices to read.

Find Active Network Synthesis :

[a first dictionary of linguistics and phonetics](#)

a foundation course in drawing a complete program of techniques and skills

~~a guide to two guitar jamming learning to play well with others~~

[a friend like ed](#)

a guide to human parasitology for medical practitioners

a guide to the norton reader.

a history of american city government the conspicuous failure 1870-1900

[a glimpse beyond the veil the art of matthew brooks](#)

[a handbook of dyes from natural materials](#)

a heart full of diamonds

a guide to royal london

a functional language examination the modern language association examinations project language and language

learning 19

~~a fish named matroly~~

a guide to alternative medicine dolphins

a guide to parables

Active Network Synthesis :

Lifespan Development (6th Edition) by Boyd, Denise Provides strong applications, and integrated learning objectives and assessment. Students who want to know "What does current research say?" and "Why is this ... Lifespan Development (6th Edition) Edition: 6; Released: Sep 14th, 2023; Format: Paperback (648 pages). Lifespan Development (6th Edition); ISBN: 0205037526; Authors: Boyd, Denise - Bee, Helen ... Lifespan Development, Sixth Canadian Edition ... An exceptional pedagogical package that ties the textbook to online REVEL study tools complements the student-centered approach of the book and offers students ... Lifespan Development (6th Edition) - Boyd, Denise Lifespan Development (6th Edition) by Boyd, Denise; Bee, Helen - ISBN 10: 0205037526 - ISBN 13: 9780205037520 - Pearson - 2011 - Softcover. Lifespan Development (6th Edition) - Paperback By Boyd ... Lifespan Development (6th Edition) - Paperback By Boyd, Denise - ACCEPTABLE. Lifespan Development (6th Edition) - Paperback By Boyd, Denise - ACCEPTABLE. \$6.8 ... Lifespan Development (Lifespan Development Sixth ... Lifespan Development (Lifespan Development Sixth Edition) (6th Edition). by Denise G. Boyd, Helen L. Bee, Jessica Mosher (Editor). Paperback, 648 Pages ... Lifespan Development (6th Edition) by Boyd, Denise Boyd, Denise ; Title: Lifespan Development (6th Edition) ; Publisher: Pearson ; Publication Date: 2011 ; Binding: Paperback ; Condition: new. Lifespan Development (6th Edition) by Boyd, Denise, Bee ... We have 15 copies of Lifespan Development (6th Edition) for sale starting from \$6.44. Lifespan Development (6th Edition) by Denise Boyd and ... Number of Total Copies: 1. ISBN: 978-0205037520. Classes useful for: -PSY 220: Development across the Lifespan *Examination copy - see EHA to lend ... Lifespan Development (6th Edition) Title: Lifespan Development (6th Edition). Author Name: Boyd, Denise; Bee, Helen. Edition: 6. ISBN Number: 0205037526. ISBN-13: 9780205037520. Mazda F8 Engine 1800cc correct timing marks and setup ... Aug 22, 2009 — Hi,. From my information the timing procedure with that engine are as follows: The crankshaft is aligned at the 12 o'clock position where ... timing belt..The timing marks on the cam pulley is A or B Oct 6, 2008 — I replaced the timing belt on a 1800 Mazda F8 engine. The timing marks on the cam pulley is A or B or CX. Which of these are the correct ... Ignition Timing Ignition timing is adjusted by turning the distributor body in the engine. Ideally, the air/fuel mixture in the cylinder will be ignited by the spark plug ... 104RU25 Timing Belt F8 104RU25 Timing Belt F8 ; SKU: 104RU25 ; Brand. SORA ; Description · A390RU100 MAZDA Bongo 05.99~09.10 SK82M Eng: 1.8L F8 08.95~05.99 SE88T Eng: 1.8L F8 05.99~09.10 ... endurotec etkmaf61 timing belt kit mazda f8 sohc 8v 12/78 ... ENDUROTEC ETKMAF61 TIMING BELT KIT

MAZDA F8 SOHC 8V 12/78 TO 12/86 106 TOOTH BELT · Description. Includes 106 rund teeth timing belt (94003) · Compatible Engines. Discussion: need help with timing mazda 2.0fe engine Feb 8, 2015 — i have the cam sprocket with A at the mark on the head and the cylinder 1 at top dead center compression stroke. the lift will run poorly at ... F8, FE, F2 SOHC Start the engine and check as follows: (1) Engine coolant leakage. (2) Ignition timing. 3. Check the engine coolant level. 4. Check the drive belt ... The Unfinished Nation: A Concise History... by Brinkley, Alan In a concise but wide-ranging narrative, Brinkley shows the diversity and complexity of the nation and our understanding of its history--one that continues to ... The Unfinished Nation: A Concise History of the American ... The Unfinished Nation: A Concise History of the American People continues the evolution of Alan Brinkley's influential work as authors John M. Giggie and ... Brinkley, The Unfinished Nation: A Concise History of ... The Unfinished Nation: A Concise History of the American People is respected for the clear narrative voice of renowned historian Alan Brinkley and for its ... The Unfinished Nation: A Concise History of the American ... Known for its clear narrative voice, impeccable scholarship, and affordability, Alan Brinkley's The Unfinished Nation offers a concise but comprehensive ... The Unfinished Nation: A Concise History of the American ... Known for its clear narrative voice, impeccable scholarship, and affordability, Alan Brinkley's The Unfinished Nation offers a concise but comprehensive ... The Unfinished Nation, by Alan Brinkley (excerpt) THE UNFINISHED NATION: A CONCISE HISTORY OF THE AMERICAN PEOPLE. VOLUME II ... ALAN BRINKLEY is the Allan Nevins Professor of History and Provost at Columbia ... The unfinished nation : a concise history of the American ... Details · Title. The unfinished nation : a concise history of the American people · Creator. Brinkley, Alan, author. · Subject. United States -- History · Publisher. Alan Brinkley, The Unfinished Nation, Chapter 26 - YouTube The unfinished nation : a concise history of the American ... The unfinished nation : a concise history of the American people ; Authors: Alan Brinkley (Author), John M. Giggie (Author), Andrew Huebner (Author) ; Edition: ... unfinished nation concise history american - First Edition The Unfinished Nation : A Concise History of the American People by Brinkley, Alan and a great selection of related books, art and collectibles available ...