

5 m

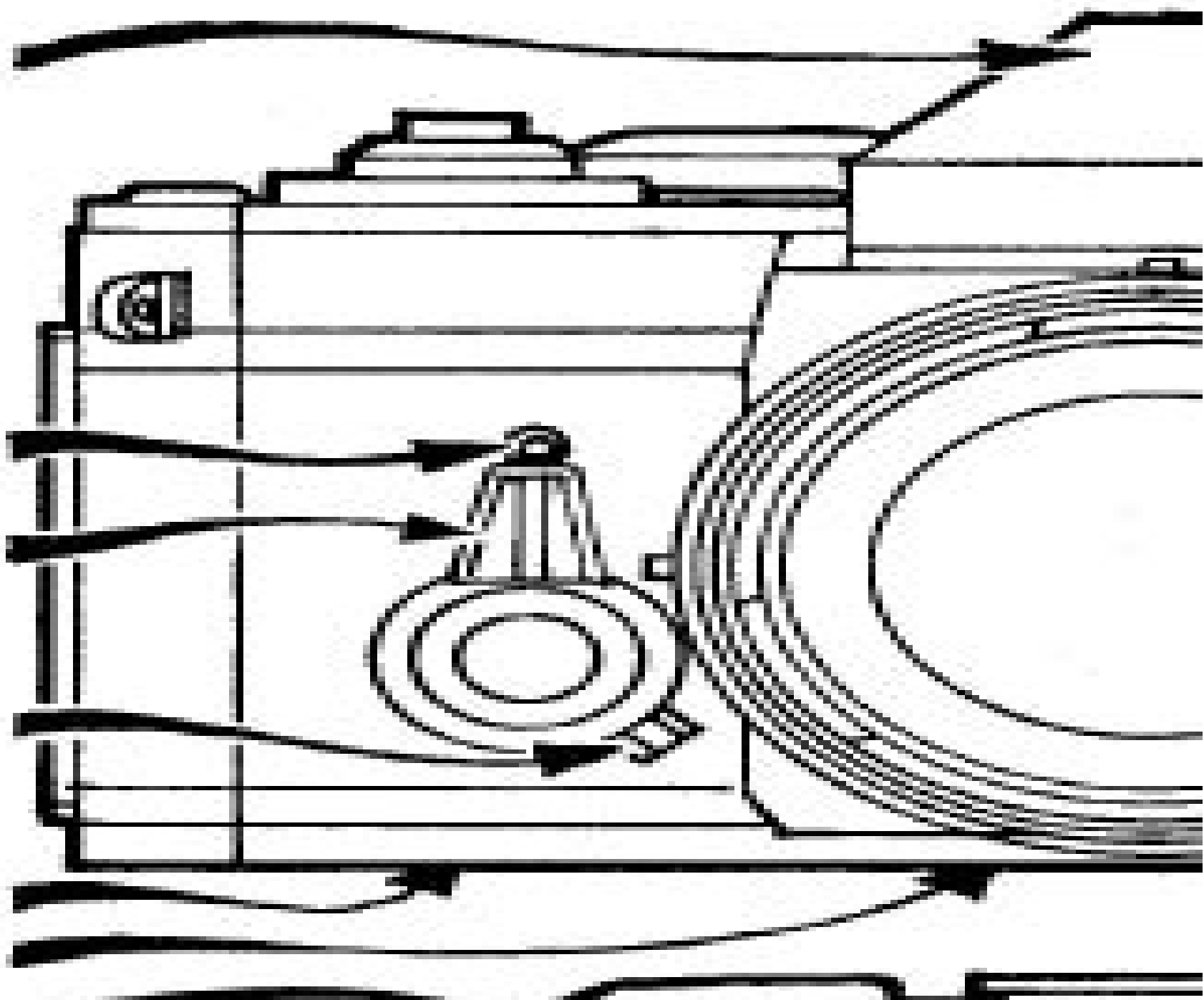
back

rose  
over

over

ion

ket



# Canon Reflex Guide

**M Mosston**



## **Canon Reflex Guide:**

Thank you very much for downloading **Canon Reflex Guide**. As you may know, people have search numerous times for their favorite books like this Canon Reflex Guide, but end up in malicious downloads.

Rather than enjoying a good book with a cup of coffee in the afternoon, instead they cope with some harmful virus inside their computer.

Canon Reflex Guide is available in our book collection an online access to it is set as public so you can get it instantly. Our books collection hosts in multiple locations, allowing you to get the most less latency time to download any of our books like this one.

Merely said, the Canon Reflex Guide is universally compatible with any devices to read

<https://autodiscover.cruiselady.com/public/publication/HomePages/cloudy%20bright.pdf>

## **Table of Contents Canon Reflex Guide**

1. Understanding the eBook Canon Reflex Guide
  - The Rise of Digital Reading Canon Reflex Guide
  - Advantages of eBooks Over Traditional Books
2. Identifying Canon Reflex Guide
  - Exploring Different Genres
  - Considering Fiction vs. Non-Fiction
  - Determining Your Reading Goals
3. Choosing the Right eBook Platform
  - Popular eBook Platforms
  - Features to Look for in an Canon Reflex Guide
  - User-Friendly Interface
4. Exploring eBook Recommendations from Canon Reflex Guide
  - Personalized Recommendations
  - Canon Reflex Guide User Reviews and Ratings

- Canon Reflex Guide and Bestseller Lists
- 5. Accessing Canon Reflex Guide Free and Paid eBooks
  - Canon Reflex Guide Public Domain eBooks
  - Canon Reflex Guide eBook Subscription Services
  - Canon Reflex Guide Budget-Friendly Options
- 6. Navigating Canon Reflex Guide eBook Formats
  - ePub, PDF, MOBI, and More
  - Canon Reflex Guide Compatibility with Devices
  - Canon Reflex Guide Enhanced eBook Features
- 7. Enhancing Your Reading Experience
  - Adjustable Fonts and Text Sizes of Canon Reflex Guide
  - Highlighting and Note-Taking Canon Reflex Guide
  - Interactive Elements Canon Reflex Guide
- 8. Staying Engaged with Canon Reflex Guide
  - Joining Online Reading Communities
  - Participating in Virtual Book Clubs
  - Following Authors and Publishers Canon Reflex Guide
- 9. Balancing eBooks and Physical Books Canon Reflex Guide
  - Benefits of a Digital Library
  - Creating a Diverse Reading Collection Canon Reflex Guide
- 10. Overcoming Reading Challenges
  - Dealing with Digital Eye Strain
  - Minimizing Distractions
  - Managing Screen Time
- 11. Cultivating a Reading Routine Canon Reflex Guide
  - Setting Reading Goals Canon Reflex Guide
  - Carving Out Dedicated Reading Time
- 12. Sourcing Reliable Information of Canon Reflex Guide
  - Fact-Checking eBook Content of Canon Reflex Guide
  - Distinguishing Credible Sources

13. Promoting Lifelong Learning
  - Utilizing eBooks for Skill Development
  - Exploring Educational eBooks
14. Embracing eBook Trends
  - Integration of Multimedia Elements
  - Interactive and Gamified eBooks

## **Canon Reflex Guide Introduction**

In this digital age, the convenience of accessing information at our fingertips has become a necessity. Whether its research papers, eBooks, or user manuals, PDF files have become the preferred format for sharing and reading documents. However, the cost associated with purchasing PDF files can sometimes be a barrier for many individuals and organizations. Thankfully, there are numerous websites and platforms that allow users to download free PDF files legally. In this article, we will explore some of the best platforms to download free PDFs. One of the most popular platforms to download free PDF files is Project Gutenberg. This online library offers over 60,000 free eBooks that are in the public domain. From classic literature to historical documents, Project Gutenberg provides a wide range of PDF files that can be downloaded and enjoyed on various devices. The website is user-friendly and allows users to search for specific titles or browse through different categories. Another reliable platform for downloading Canon Reflex Guide free PDF files is Open Library. With its vast collection of over 1 million eBooks, Open Library has something for every reader. The website offers a seamless experience by providing options to borrow or download PDF files. Users simply need to create a free account to access this treasure trove of knowledge. Open Library also allows users to contribute by uploading and sharing their own PDF files, making it a collaborative platform for book enthusiasts. For those interested in academic resources, there are websites dedicated to providing free PDFs of research papers and scientific articles. One such website is Academia.edu, which allows researchers and scholars to share their work with a global audience. Users can download PDF files of research papers, theses, and dissertations covering a wide range of subjects. Academia.edu also provides a platform for discussions and networking within the academic community. When it comes to downloading Canon Reflex Guide free PDF files of magazines, brochures, and catalogs, Issuu is a popular choice. This digital publishing platform hosts a vast collection of publications from around the world. Users can search for specific titles or explore various categories and genres. Issuu offers a seamless reading experience with its user-friendly interface and allows users to download PDF files for offline reading. Apart from dedicated platforms, search engines also play a crucial role in finding free PDF files. Google, for instance, has an advanced search feature that allows users to filter results by file type. By specifying the file type as "PDF," users can find websites that offer

free PDF downloads on a specific topic. While downloading Canon Reflex Guide free PDF files is convenient, its important to note that copyright laws must be respected. Always ensure that the PDF files you download are legally available for free. Many authors and publishers voluntarily provide free PDF versions of their work, but its essential to be cautious and verify the authenticity of the source before downloading Canon Reflex Guide. In conclusion, the internet offers numerous platforms and websites that allow users to download free PDF files legally. Whether its classic literature, research papers, or magazines, there is something for everyone. The platforms mentioned in this article, such as Project Gutenberg, Open Library, Academia.edu, and Issuu, provide access to a vast collection of PDF files. However, users should always be cautious and verify the legality of the source before downloading Canon Reflex Guide any PDF files. With these platforms, the world of PDF downloads is just a click away.

### **FAQs About Canon Reflex Guide Books**

How do I know which eBook platform is the best for me? Finding the best eBook platform depends on your reading preferences and device compatibility. Research different platforms, read user reviews, and explore their features before making a choice. Are free eBooks of good quality? Yes, many reputable platforms offer high-quality free eBooks, including classics and public domain works. However, make sure to verify the source to ensure the eBook credibility. Can I read eBooks without an eReader? Absolutely! Most eBook platforms offer web-based readers or mobile apps that allow you to read eBooks on your computer, tablet, or smartphone. How do I avoid digital eye strain while reading eBooks? To prevent digital eye strain, take regular breaks, adjust the font size and background color, and ensure proper lighting while reading eBooks. What the advantage of interactive eBooks? Interactive eBooks incorporate multimedia elements, quizzes, and activities, enhancing the reader engagement and providing a more immersive learning experience. Canon Reflex Guide is one of the best book in our library for free trial. We provide copy of Canon Reflex Guide in digital format, so the resources that you find are reliable. There are also many Ebooks of related with Canon Reflex Guide. Where to download Canon Reflex Guide online for free? Are you looking for Canon Reflex Guide PDF? This is definitely going to save you time and cash in something you should think about.

### **Find Canon Reflex Guide :**

*cloudy bright*

*coaching youth softball*

**cloud dancers portraits of north american mountaineers**

[cloak cipher](#)

*clues to american architecture*

**clive barker mythmaker for the millenium**

**coat of many cultures the story of joseph in spanish literature 1200-1492**

[coal preparation plant automation](#)

**club rules power money sex and fear - how it works in hollywood**

[cloudtop mosaics](#)

[clinical skills a system of clinical examination](#)

[clueless in the kitchen](#)

~~cobourg in celebration of its people and places~~

~~clinical psychiatry problems of treatment research & prevention~~

[clues a history of forensic detection uk title written in blood](#)

## **Canon Reflex Guide :**

**diy easy tutorials how to make loom bands k4 craft** - Nov 26 2022

web mar 22 2017 now take the first loom band and pull the ends over to the middle portion of the pencils the loom band gets collected in the middle of the second and third loom band now place the fourth loom band and do the same with the second one repeat the steps until you get the required length for your ring 2

[how to make loom bands for beginners gathered](#) - Dec 28 2022

web feb 25 2022 method 1 how to make a loom band bracelet with your fingers single chain bracelet in this easy method you ll use your fingers or two pencils to make a single chain loom band bracelet you will need about 25 loom bands depending on the size of

*5 ways to make loom bands wikipediainfo - Feb 27 2023*

web aug 25 2023 4 pull the bottom loom band on your middle finger over the top band bring it to the middle of the bands halfway between your fingers and release next pull the bottom loom band on your index finger over the top band bring it to the middle and release 5 slide the band that is now in the middle into the clip

*how to make loom bands for beginners everything you need to* - Oct 26 2022

web sep 15 2019 explore lilli cook s board loom bands instructions on pinterest understand more ideas about loom bands loom loom gang instructions step 2 take a second handloom band and slip she over you two fingers so that it sits slightly

above the first you don't need to twist this one just curl it straightly over both

**download de nederlandse rainbow loom handleiding loommania** - Jun 02 2023

web feb 26 2014 de nederlandse rainbow loom handleiding is af en je kunt hem hier downloaden hieronder een transcript van de teksten op de nederlandse rainbowloom handleiding rainbow loom gebruiksaanwijzing word zelf sieraden ontwerper en ontwerp zelf super coole sieraden met rainbow loom en mini rainbow loom je kunt je

**nederlands loom bands instructions** - Aug 24 2022

web now is nederlands loom bands instructions below repertorium für kunstwissenschaft franz schestag 2018 02 19 finger looping berna 2019 art in history history in art david freedberg 1996 07 11 historians and art historians provide a critique of existing methodologies and an interdisciplinary inquiry into seventeenth century dutch art and

[rainbow loom nederlands dragon scale loom bands rainbow loom](#) - Oct 06 2023

web may 30 2014 mijn loom bands rainbow loom dragon scale tutorial in het nederlands mijn nichtje wilde graag dat ik deze video zou maken dus bij deze ook hebben vele

**rainbow loom nederlands beginners basis armband youtube** - May 01 2023

web in deze video laten we je zien wat er in de doos van rainbow loom zit en hoe je meteen aan de slag kan voor je eerste basis armband

**loom bandjes maken de basis voor beginners loom armband nederlands** - Aug 04 2023

web jul 13 2014 loom band maken de basis voor beginners loom armband maken met utrechtse uitleg dit is een super makkelijke loom band met de basis techniek voor beginn

**nederlands loom bands instructions programma syriza gr** - May 21 2022

web 2 nederlands loom bands instructions 2023 05 06 your problems into your biggest advantages and along the way it will inspire you with dozens of true stories of the greats from every age and era repertorium für kunstwissenschaft schiffer craft with instructions for how to make wonderful projects and plain weave variations this user

[nederlands loom bands instructions magazine mediamarkt nl](#) - Jul 23 2022

web nederlands loom bands instructions first word of the year was chosen in 2010 t shirt wikipedia may 5th 2018 a t shirt or t shirt or tee is a style of unisex fabric shirt named after the t shape of its body and sleeves it normally has short sleeves and a round neckline known as a crew neck which lacks a collar united states of america wikitravel

[loom bands nederlands double single fishtail rainbow loom youtube](#) - Jul 03 2023

web de loom bands rainbow loom tutorial voor de double single fishtail armband laat me je rainbow loom en loom bands creaties zien op instagram mijn insta is

[rainbow loom nederlands easy minion loom bands rainbow loom](#) - Mar 31 2023

web aug 15 2014 dit is mijn loom bands rainbow loom tutorial voor een minion jullie hebben lang om een figuurtje gevraagd en hier is die dan bekijk en stuur rainbow loom

*loom bands instructions nederlands* - Mar 19 2022

web install the loom bands instructions nederlands it is agreed simple then back currently we extend the member to purchase and make bargains to download and install loom bands instructions nederlands thus simple sidewalk games around the world arlene erlbach 1998 04 01 describes various games played by children in countries around the

**nederlands loom bands instructions opendoors cityandguilds** - Apr 19 2022

web nederlands loom bands instructions 3 3 rich dad s guide to investing springer science business media describes various games played by children in countries around the world describing the places where the games are played and the directions and equipment needed for each game libraries a design manual cambridge university press

**nederlands loom bands instructions** - Jun 21 2022

web 2 nederlands loom bands instructions 2022 12 30 theoretical development but with profound encouragement for teachers and researchers to pay close attention to representations as they are generated and interpreted by students from the foreword by gerald a goldin sidewalk games around the world walter de gruyter gmbh co kg

**rainbow loom nederlands triple single armband wk voetbal loom** - Jan 29 2023

web mijn loom bands tutorial voor de triple single armband je kunt de officiële nederlandse rainbow loom producten het beste kopen bij rainbow loom n

*nederlands loom bands instructions* - Feb 15 2022

web nederlands loom bands instructions nederlands loom bands instructions book review unveiling the magic of language in an electronic era where connections and knowledge reign supreme the enchanting power of language has be more apparent than ever its ability to stir emotions provoke thought and instigate transformation is truly

*how to make loom bracelets with pictures wikihow* - Sep 24 2022

web jun 16 2019 2 take two loops and make an infinity loop on the lower left rungs of your loom your loom should be facing away from you and the direction of your bracelet making should run away from you up the loom 3 take four more loops and put them on top of the first loop without making them into infinity loops

[loom bands nederlands rotini tutorial rainbow loom how](#) - Sep 05 2023

web jul 18 2014 de loom bands rainbow loom tutorial voor de rotini armband deze is niet al te lastig om te maken maar wel super leuk laat me je rainbow loom en loom ban

*reincarnation unnecessary edgar cayce s a r e* - Dec 28 2021

web jan 25 2019 edgar cayce gave 18 readings which were labelled reincarnation unnecessary the cayce source perspective

on mastering the lessons of earth have more to do with the application of spiritual laws than with the tiring of worldly life  
*the reincarnation of edgar cayce penguin random house* - Apr 12 2023

web about the reincarnation of edgar cayce discover the legacy of the most famous psychic of the 20th century in this stirring exploration of psychic abilities reincarnation and other paranormal phenomena

**the reincarnation of edgar cayce interdimensional** - Oct 06 2022

web compiling some of wilcock s most inspirational and life transforming prophetic guidance from his channeled source this book conveys profound insights into topics such as earth changes secret cabals soul evolution death and reincarnation ascension crop circles and the theory of evolution explaining how energetic increases occurring in the

**the reincarnation of edgar cayce interdimensional** - Jul 03 2022

web the reincarnation of edgar cayce details the intriguing connection between cayce and wilcock and presents the case for both having the same source for their prophetic information through the inspirational life transforming words from wilcock s higher self part of a group known as soul readers can learn how the now obvious earth changes

november the biology of reincarnation edgar cayce s a r e - Jan 29 2022

web nov 2 2020 dr stevenson interviewed hundreds of children in cultures where reincarnation is an accepted occurrence india ceylon now sri lanka turkey druze burma now myanmar alaskan tlingit natives canadian gitksan tribe and others he found that young interviewees had clear past life memories and could explain their marks

*the reincarnation of edgar cayce penguin random house* - Nov 07 2022

web discover the legacy of the most famous psychic of the 20th century in this stirring exploration of psychic abilities reincarnation and other paranormal phenomena there are remarkable parallels between the work of david wilcock and edgar cayce the legendary clairvoyant sleeping prophet and father of holistic medicine

**edgar cayce s reincarnation views explore** - Sep 05 2022

web may 17 2013 cayce reconciles ideas about reincarnation with christianity when cayce was in a waking state this business about reincarnation was very troubling to him because he was a devout christian and reincarnation is not really a part of the belief system in the christian church

**david wilcock as the reincarnation of edgar cayce** - May 01 2022

web sep 27 2019 david wilcock as the reincarnation of edgar cayce david wilcock born march 8 1973 is a bestselling author a professional lecturer a tv host on the gaia tv network a filmmaker of metaphysical documentaries a popular figure appearing on numerous cable tv documentaries and internet shows a researcher and authority on

**reincarnation edgar cayce readings edgar cayce s a r e** - Aug 16 2023

web reincarnation was explored in nearly 2 000 edgar cayce life readings from 1923 to 1945 the cayce approach to

reincarnation focuses on practical ways of dealing with one's current life by living, growing and being of service in the present

*edgar cayce wikipedia* - May 13 2023

web edgar cayce 'keisi': march 18 1877 january 3 1945 was an american attributed clairvoyant who claimed to speak from his higher self while in a trance like state 1 his words were recorded by his friend al layne his wife gertrude evans and later by his secretary gladys davis turner

**the reincarnation of edgar cayce book by david wilcock thriftbooks** - Aug 04 2022

web book overview discover the legacy of the most famous psychic of the 20th century in this stirring exploration of psychic abilities reincarnation and other paranormal phenomena there are remarkable parallels between the work of david wilcock and edgar cayce the legendary clairvoyant sleeping prophet and father of holistic medicine

**the reincarnation of edgar cayce en apple books** - Feb 27 2022

web discover the legacy of the most famous psychic of the 20th century in this stirring exploration of psychic abilities reincarnation and other paranormal phenomena there are remarkable parallels between the work of david wilcock and edgar cayce the legendary clairvoyant sle

[the reincarnation of edgar cayce divine cosmos](#) - Jun 02 2022

web feb 5 2018 is it possible that cayce has actually reincarnated and walks among us today edgar cayce was born in 1877 and departed this plane in 1945 he left a legacy that has changed the lives of millions of people who are dedicated to spiritual awakening we live our mortal lives in this physical universe with our miniscule conscious awareness but

**the reincarnation of edgar cayce light technology** - Mar 31 2022

web an in depth look at the connections between david wilcock and edgar cayce and proof that david wilcock may be the reincarnation of edgar cayce interdimensional communication and global transformation edgar cayce 1877 1945 the sleeping prophet is widely considered to be the most documented and accurate psychic in the western world

**the reincarnation of edgar cayce e kitap david wilcock** - Jan 09 2023

web bir david wilcock eseri olan the reincarnation of edgar cayce e kitap olarak en cazip fiyat ile d r de keşfetmek için hemen tıklayınız

[the reincarnation of edgar cayce google books](#) - Mar 11 2023

web mar 11 2004 explaining how energetic increases occurring in the sun and planets can have scientifically measurable far reaching effects in a number of realms the reincarnation of edgar cayce presents new

*edgar cayce on reincarnation* - Jun 14 2023

web the subject of reincarnation was explored in nearly 2 000 edgar cayce life readings from 1923 to 1945 the cayce

approach to reincarnation focuses on practical ways of dealing with one's current life by living growing and being of service in the present

**reincarnation edgar cayce s a r e** - Dec 08 2022

web jan 10 2021 in 1901 at the age of twenty four edgar cayce gave one of his first readings on himself diagnosing a health condition but it wouldn't be until 1923 that the subject of reincarnation would be explored in a reading given to a printer from ohio

*the reincarnation of edgar cayce interdimensional* - Jul 15 2023

web mar 11 2004 explaining how energetic increases occurring in the sun and planets can have scientifically measurable far reaching effects in a number of realms the reincarnation of edgar cayce presents new evidence that this energy can transform dna potentially making esp telekinesis levitation and other paranormal activities as

**the reincarnation of edgar cayce interdimensional com** - Feb 10 2023

web mar 11 2004 discover the legacy of the most famous psychic of the 20th century in this stirring exploration of psychic abilities reincarnation and other paranormal phenomena there are remarkable parallels between the work of david wilcock and edgar cayce the legendary clairvoyant sleeping prophet and father of holistic medicine

*coaching girls lacrosse nfhs* - Jan 07 2023

web the sole dilemma with plr ebooks buy coaching girls lacrosse 50 drills every coach should know pdf is that if you are selling a minimal quantity of every one your revenue

**stream read pdf coaching girls lacrosse 50 drills every** - Mar 29 2022

web with the lacrosse drills sample practice plans book you will have over 30 proven effective lacrosse drills at your finger tips if you plan on coaching lacrosse these

[lacrosse coaching drills](#) - Nov 24 2021

web find helpful customer reviews and review ratings for coaching girls lacrosse 50 drills every coach should know at amazon com read honest and unbiased product reviews

**coaching girls lacrosse 50 drills every coach sho david** - May 31 2022

web coaching girls lacrosse 50 drills every coach should know by julie francis coaches in mind â it contains 50 different drills that are sure to help your girls master the

**introduction to coaching girls lacrosse grades 1 4** - Feb 08 2023

web coaching girls lacrosse course objectives history of lacrosse how the sport is played today resources tasks and responsibilities of a coach idea method 5 yard scoop

**pdf epub download coaching girls lacrosse 50 drills** - May 11 2023

web coaching girls lacrosse 50 drills every coach should know francis julie 9781502557728 books amazon ca  
**coaching girls lacrosse 50 drills every coach** - Aug 14 2023

web this book was designed with these coaches in mind it contains 50 different drills that are sure to help your girls master the fundamentals of catching throwing shooting ground

**coaching girls lacrosse 50 drills every coach should know by** - Apr 29 2022

web play read pdf coaching girls lacrosse 50 drills every coach should know from maureenheaney play audiobooks and excerpts on soundcloud desktop and mobile

coaching girls lacrosse 50 drills every coach should know - Jul 13 2023

web coaching girls lacrosse 50 drills every coach should know francis julie amazon com au books

pdf coaching girls lacrosse 50 drills every coach should - Nov 05 2022

web sep 14 2020 coaching girls lacrosse 50 drills every coach should know it can be getting that wish for the know how or gaining the entertainment price out on the ebook

amazon com customer reviews coaching girls lacrosse 50 - Sep 22 2021

**pdf epub download coaching girls lacrosse 50 drills** - Jan 27 2022

web coaching girls lacrosse 50 drills every coach sho 2 10 downloaded from uniport edu ng on may 6 2023 by guest all the information you need to coach effectively and help 6 to

coaching girls lacrosse 50 drills every coach should know - Mar 09 2023

web coaching girls lacrosse introductory concepts drills grades 1 4 drill focus offense achieve lacrosse coaches education thursday january 13 2022

download coaching girls lacrosse 50 drills every coach - Oct 04 2022

web this book was designed with these coaches in mind it contains 50 different drills that are sure to help your girls master the fundamentals of catching throwing shooting ground

**coaching girls lacrosse 50 drills every coach should know** - Jun 12 2023

web sep 30 2021 this book was designed with these coaches in mind â it contains 50 different drills that are sure to help your girls master the fundamentals of catching

**download coaching girls lacrosse 50 drills every coach** - Jul 01 2022

web coaching girls lacrosse 50 drills every coach sho as one of the most functional sellers here will certainly be in the midst of the best options to review the mental training

*coaching girls lacrosse 50 drills every coach should know* - Sep 03 2022

web sell coaching girls lacrosse 50 drills every coach should know 150255772x at booksrun ship for free and get fast cash back

[coaching girls lacrosse 50 drills every coach should know](#) - Apr 10 2023

web jun 10 2020 every coach should have this book to help them plan productive practices that teach essential lacrosse skills this book will help you accelerate your

**download coaching girls lacrosse 50 drills every coach** - Dec 06 2022

web be the first to like this show more 3 views 3 views

**coaching girls lacrosse 50 drills every coach sho pdf** - Dec 26 2021

web clipboard ready pre designed lacrosse practice plans including unique fun and effective lacrosse drills you can use tonight battle tested offensive strategies for key lacrosse

*sell buy or rent coaching girls lacrosse 50 drills every coach* - Aug 02 2022

web description with the rapid growth and increasing popularity of girls 8217 lacrosse in this country there are many new coaches being brought to the sport wit home explore

*coaching lacrosse* - Feb 25 2022

web copy link to download lies mehr über coaching drills knowread und download

[coaching girls lacrosse 50 drills every coach](#) - Oct 24 2021