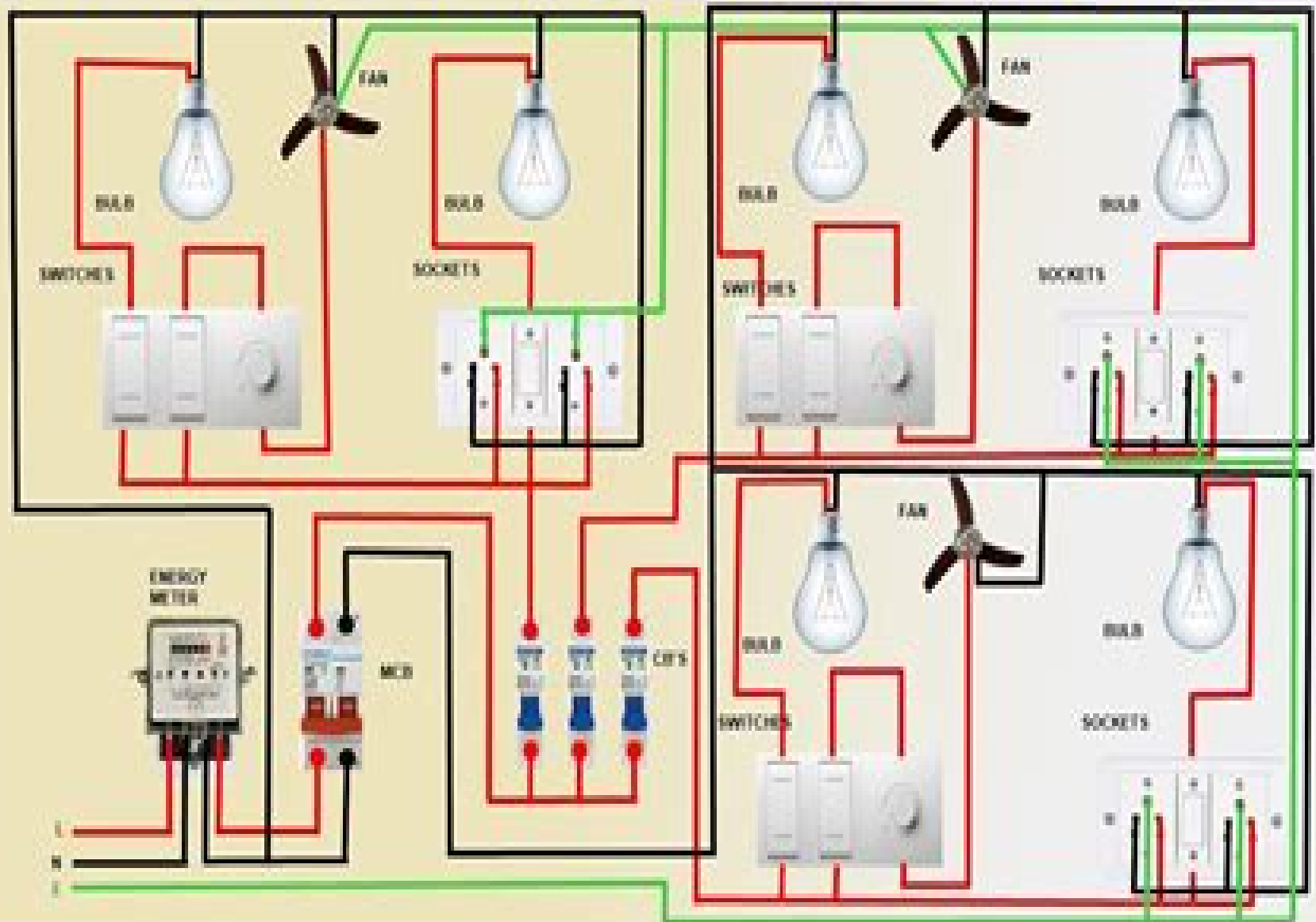


# 3 Room Electrical Wiring Full House Wiring Diagram



# E45 M Residential Wiring Introduction

**SA Dillow**



## **E45 M Residential Wiring Introduction:**

The Captivating Realm of Kindle Books: A Thorough Guide Unveiling the Benefits of E-book Books: A World of Ease and Flexibility E-book books, with their inherent portability and simplicity of availability, have liberated readers from the limitations of hardcopy books. Gone are the days of carrying bulky novels or meticulously searching for particular titles in bookstores. E-book devices, stylish and portable, seamlessly store an extensive library of books, allowing readers to indulge in their favorite reads anytime, anywhere. Whether commuting on a busy train, relaxing on a sun-kissed beach, or simply cozying up in bed, E-book books provide an exceptional level of ease. A Reading Universe Unfolded: Discovering the Wide Array of E-book E45 M Residential Wiring Introduction E45 M Residential Wiring Introduction The E-book Store, a digital treasure trove of bookish gems, boasts an wide collection of books spanning varied genres, catering to every readers taste and choice. From captivating fiction and thought-provoking non-fiction to classic classics and contemporary bestsellers, the E-book Store offers an exceptional abundance of titles to discover. Whether seeking escape through immersive tales of fantasy and exploration, diving into the depths of historical narratives, or broadening ones understanding with insightful works of science and philosophy, the Kindle Store provides a doorway to a bookish world brimming with endless possibilities. A Game-changing Force in the Literary Scene: The Lasting Influence of E-book Books E45 M Residential Wiring Introduction The advent of Kindle books has unquestionably reshaped the literary landscape, introducing a model shift in the way books are released, distributed, and read. Traditional publishing houses have embraced the online revolution, adapting their approaches to accommodate the growing need for e-books. This has led to a rise in the accessibility of E-book titles, ensuring that readers have access to a vast array of literary works at their fingers. Moreover, E-book books have equalized entry to books, breaking down geographical limits and providing readers worldwide with similar opportunities to engage with the written word. Irrespective of their place or socioeconomic background, individuals can now immerse themselves in the captivating world of books, fostering a global community of readers. Conclusion: Embracing the E-book Experience E45 M Residential Wiring Introduction Kindle books E45 M Residential Wiring Introduction, with their inherent ease, versatility, and vast array of titles, have unquestionably transformed the way we experience literature. They offer readers the freedom to discover the limitless realm of written expression, anytime, anywhere. As we continue to navigate the ever-evolving digital landscape, Kindle books stand as testament to the lasting power of storytelling, ensuring that the joy of reading remains reachable to all.

[https://autodiscover.cruiselady.com/results/uploaded-files/HomePages/chiltons\\_jeep\\_cj\\_scrambler\\_wrangler\\_1971\\_90\\_repair\\_manual\\_covers\\_all\\_us\\_and.pdf](https://autodiscover.cruiselady.com/results/uploaded-files/HomePages/chiltons_jeep_cj_scrambler_wrangler_1971_90_repair_manual_covers_all_us_and.pdf)

## **Table of Contents E45 M Residential Wiring Introduction**

1. Understanding the eBook E45 M Residential Wiring Introduction
  - The Rise of Digital Reading E45 M Residential Wiring Introduction
  - Advantages of eBooks Over Traditional Books
2. Identifying E45 M Residential Wiring Introduction
  - Exploring Different Genres
  - Considering Fiction vs. Non-Fiction
  - Determining Your Reading Goals
3. Choosing the Right eBook Platform
  - Popular eBook Platforms
  - Features to Look for in an E45 M Residential Wiring Introduction
  - User-Friendly Interface
4. Exploring eBook Recommendations from E45 M Residential Wiring Introduction
  - Personalized Recommendations
  - E45 M Residential Wiring Introduction User Reviews and Ratings
  - E45 M Residential Wiring Introduction and Bestseller Lists
5. Accessing E45 M Residential Wiring Introduction Free and Paid eBooks
  - E45 M Residential Wiring Introduction Public Domain eBooks
  - E45 M Residential Wiring Introduction eBook Subscription Services
  - E45 M Residential Wiring Introduction Budget-Friendly Options
6. Navigating E45 M Residential Wiring Introduction eBook Formats
  - ePub, PDF, MOBI, and More
  - E45 M Residential Wiring Introduction Compatibility with Devices
  - E45 M Residential Wiring Introduction Enhanced eBook Features
7. Enhancing Your Reading Experience
  - Adjustable Fonts and Text Sizes of E45 M Residential Wiring Introduction
  - Highlighting and Note-Taking E45 M Residential Wiring Introduction
  - Interactive Elements E45 M Residential Wiring Introduction

8. Staying Engaged with E45 M Residential Wiring Introduction
  - Joining Online Reading Communities
  - Participating in Virtual Book Clubs
  - Following Authors and Publishers E45 M Residential Wiring Introduction
9. Balancing eBooks and Physical Books E45 M Residential Wiring Introduction
  - Benefits of a Digital Library
  - Creating a Diverse Reading Collection E45 M Residential Wiring Introduction
10. Overcoming Reading Challenges
  - Dealing with Digital Eye Strain
  - Minimizing Distractions
  - Managing Screen Time
11. Cultivating a Reading Routine E45 M Residential Wiring Introduction
  - Setting Reading Goals E45 M Residential Wiring Introduction
  - Carving Out Dedicated Reading Time
12. Sourcing Reliable Information of E45 M Residential Wiring Introduction
  - Fact-Checking eBook Content of E45 M Residential Wiring Introduction
  - Distinguishing Credible Sources
13. Promoting Lifelong Learning
  - Utilizing eBooks for Skill Development
  - Exploring Educational eBooks
14. Embracing eBook Trends
  - Integration of Multimedia Elements
  - Interactive and Gamified eBooks

### **E45 M Residential Wiring Introduction Introduction**

In the digital age, access to information has become easier than ever before. The ability to download E45 M Residential Wiring Introduction has revolutionized the way we consume written content. Whether you are a student looking for course material, an avid reader searching for your next favorite book, or a professional seeking research papers, the option to download E45 M Residential Wiring Introduction has opened up a world of possibilities. Downloading E45 M Residential Wiring Introduction provides numerous advantages over physical copies of books and documents. Firstly, it is incredibly

convenient. Gone are the days of carrying around heavy textbooks or bulky folders filled with papers. With the click of a button, you can gain immediate access to valuable resources on any device. This convenience allows for efficient studying, researching, and reading on the go. Moreover, the cost-effective nature of downloading E45 M Residential Wiring Introduction has democratized knowledge. Traditional books and academic journals can be expensive, making it difficult for individuals with limited financial resources to access information. By offering free PDF downloads, publishers and authors are enabling a wider audience to benefit from their work. This inclusivity promotes equal opportunities for learning and personal growth. There are numerous websites and platforms where individuals can download E45 M Residential Wiring Introduction. These websites range from academic databases offering research papers and journals to online libraries with an expansive collection of books from various genres. Many authors and publishers also upload their work to specific websites, granting readers access to their content without any charge. These platforms not only provide access to existing literature but also serve as an excellent platform for undiscovered authors to share their work with the world. However, it is essential to be cautious while downloading E45 M Residential Wiring Introduction. Some websites may offer pirated or illegally obtained copies of copyrighted material. Engaging in such activities not only violates copyright laws but also undermines the efforts of authors, publishers, and researchers. To ensure ethical downloading, it is advisable to utilize reputable websites that prioritize the legal distribution of content. When downloading E45 M Residential Wiring Introduction, users should also consider the potential security risks associated with online platforms. Malicious actors may exploit vulnerabilities in unprotected websites to distribute malware or steal personal information. To protect themselves, individuals should ensure their devices have reliable antivirus software installed and validate the legitimacy of the websites they are downloading from. In conclusion, the ability to download E45 M Residential Wiring Introduction has transformed the way we access information. With the convenience, cost-effectiveness, and accessibility it offers, free PDF downloads have become a popular choice for students, researchers, and book lovers worldwide. However, it is crucial to engage in ethical downloading practices and prioritize personal security when utilizing online platforms. By doing so, individuals can make the most of the vast array of free PDF resources available and embark on a journey of continuous learning and intellectual growth.

### **FAQs About E45 M Residential Wiring Introduction Books**

1. Where can I buy E45 M Residential Wiring Introduction books? Bookstores: Physical bookstores like Barnes & Noble, Waterstones, and independent local stores. Online Retailers: Amazon, Book Depository, and various online bookstores

- offer a wide range of books in physical and digital formats.
2. What are the different book formats available? Hardcover: Sturdy and durable, usually more expensive. Paperback: Cheaper, lighter, and more portable than hardcovers. E-books: Digital books available for e-readers like Kindle or software like Apple Books, Kindle, and Google Play Books.
  3. How do I choose a E45 M Residential Wiring Introduction book to read? Genres: Consider the genre you enjoy (fiction, non-fiction, mystery, sci-fi, etc.). Recommendations: Ask friends, join book clubs, or explore online reviews and recommendations. Author: If you like a particular author, you might enjoy more of their work.
  4. How do I take care of E45 M Residential Wiring Introduction books? Storage: Keep them away from direct sunlight and in a dry environment. Handling: Avoid folding pages, use bookmarks, and handle them with clean hands. Cleaning: Gently dust the covers and pages occasionally.
  5. Can I borrow books without buying them? Public Libraries: Local libraries offer a wide range of books for borrowing. Book Swaps: Community book exchanges or online platforms where people exchange books.
  6. How can I track my reading progress or manage my book collection? Book Tracking Apps: Goodreads, LibraryThing, and Book Catalogue are popular apps for tracking your reading progress and managing book collections. Spreadsheets: You can create your own spreadsheet to track books read, ratings, and other details.
  7. What are E45 M Residential Wiring Introduction audiobooks, and where can I find them? Audiobooks: Audio recordings of books, perfect for listening while commuting or multitasking. Platforms: Audible, LibriVox, and Google Play Books offer a wide selection of audiobooks.
  8. How do I support authors or the book industry? Buy Books: Purchase books from authors or independent bookstores. Reviews: Leave reviews on platforms like Goodreads or Amazon. Promotion: Share your favorite books on social media or recommend them to friends.
  9. Are there book clubs or reading communities I can join? Local Clubs: Check for local book clubs in libraries or community centers. Online Communities: Platforms like Goodreads have virtual book clubs and discussion groups.
  10. Can I read E45 M Residential Wiring Introduction books for free? Public Domain Books: Many classic books are available for free as they're in the public domain. Free E-books: Some websites offer free e-books legally, like Project Gutenberg or Open Library.

### **Find E45 M Residential Wiring Introduction :**

[chiltons jeep cj/scrambler/wrangler 1971-90 repair manual covers all u.s. and](#)

**china hands**

**china clay traditional mining methods in cornwall**

**childs view of the third reich in german literature the eye among the blind**

chiltons repair and tune-up guide dodge/plymouth vans

~~childrens object lesson sermons based on the new common lectionary year~~

children who hugged the mountain

chin ping mei the adventurous history o

china photographische aufzeichnungen aus den jahren 19291936

*children of the volcano*

childrens rights and powers in a changing world

**childrens voices talk in the classroom**

*china today aviation industry*

**childrens literacy.**

*china and glab*

## **E45 M Residential Wiring Introduction :**

*how to delete a google or gmail account wikihow - Feb 09 2023*

web aug 24 2023 1 navigate to myaccount google com in a web browser you ll need to use a web browser on a computer to delete your google account if you re not already signed in click your saved google email address and enter your password and click next to

**delete specific google services or your google account - Dec 07 2022**

web delete specific google services or your google account if you re no longer interested in using specific google services like gmail or youtube you can sign in to your google account to delete them you can even delete your entire account and all your data like emails and photos

**delete your gmail service computer gmail help google help - May 12 2023**

web delete gmail if you use gmail through your work school or other group contact your administrator before deleting your gmail service download your data go to your google account on the left click data privacy scroll to data from apps and services you use next to gmail click delete enter an existing email address you want to

**how to delete your gmail account without deleting your google account - Aug 15 2023**

web may 19 2020 go to the gmail website and log in to the account that you want to delete next click the menu icon at the

top right and then click account you'll now enter the google account management page here click data and personalization in the sidebar scroll down and click delete a service or your account

**delete gmail step by step guide on how to delete your gmail account** - Mar 10 2023

web jan 10 2022 1 go to your google account 2 on the left click data privacy 3 scroll to data from apps and services you use 4 under download or delete your data click delete a google

[how to delete your gmail account mashable](#) - Nov 06 2022

web jul 11 2021 how to delete your gmail account once you've exported your gmail data you're just a few clicks away from deleting your gmail account back in the data personalization menu scroll

*delete your gmail service computer google account help* - Jul 14 2023

web if you use gmail through your work school or other group contact your administrator before deleting your gmail service download your data go to your google account on the left

*want to delete gmail account here's the right way to techpp* - Sep 04 2022

web dec 8 2021 press the hamburger menu at the top left of the gmail app and scroll down to settings find the account you want to delete and tap it tap manage your google account after selecting

**here's how to easily delete your gmail account and google account aol** - Mar 30 2022

web aug 23 2023 how to delete gmail account 2 click the grid icon in the upper right hand corner and select account how to delete gmail account 3 on the left select the data privacy menu delete gmail

*how to mass delete emails in gmail how to geek* - Feb 26 2022

web jan 14 2023 use the select all checkbox at the top of gmail's screen to select all emails in your inbox then hit the delete button if you want to specify emails based on certain criteria use a search term or label to filter your inbox first have you let your gmail inbox become cluttered and overrun

[how to delete your gmail account permanently 5 steps](#) - Apr 30 2022

web jan 3 2023 how to delete gmail account permanently 5 steps step 1 open google account management page open google chrome browser and go to google.com and log into the gmail account that you want to delete after logging in you can click your user profile icon at the top right corner to open account settings menu

[how to delete your gmail account lifewire](#) - Apr 11 2023

web dec 24 2022 open the email from google click the deletion link and select yes i want to delete account delete gmail done you can delete a gmail account and all the messages in it while retaining your google youtube and other related accounts here's how how to delete your gmail account how to delete your gmail account

**how to delete your gmail account tom's guide** - Jan 08 2023

web jul 26 2023 if you haven't changed your mind click the box next to yes i want to delete email address and click delete  
gmail google wants you to be absolutely certain this is something you want to do so

[delete your google account google account help](#) - Jun 13 2023

web if you don't want to delete your entire google account learn how to delete gmail from your account remove other google services remove the access of third party apps to your

**how to safely delete your google or gmail account for good muo** - Aug 03 2022

web oct 20 2017 under accounts preferences click delete your account or services click delete products and enter your password when prompted click the download data link the data that's available can include map data google drive files google photos bookmarks contacts and more when downloading your data you can selectively

**how to quickly delete your gmail account permanently** - Oct 05 2022

web mar 2 2017 go to your new email account open the message click the gmail deletion confirmation link click the confirmation link another confirm gmail deletion screen appears click delete gmail to finalize gmail deletion click in the checkbox to confirm that you really want to delete this gmail address

[how to delete a gmail account how to geek](#) - Sep 16 2023

web apr 21 2022 how to delete your gmail account permanently to begin deleting your gmail account and all its data launch a web browser on your device and access the gmail site there log in to your account if you haven't already after logging in from gmail's top right corner select your profile icon followed by manage your google account

[delete your google account gmail help](#) - Oct 17 2023

web you can delete your google account at any time

**how to permanently delete a gmail account clean email** - Jun 01 2022

web oct 31 2023 there's no need to delete your google account deleting your gmail doesn't mean you have to give up on google entirely google photos google drive and google calendar are separate entities you can still

**how to delete your gmail account the comprehensive guide** - Jul 02 2022

web apr 20 2023 find the account you want to delete and tap on it find manage your google account and tap on it pick data and personalization and now delete your account or a service then delete a service find gmail and click on the trash bin in your google services list then go along with the instructions until you finish the

**riscontri rivista di cultura e di attualità 2018 vol 1 gennaio** - Jan 28 2022

web rivista di cultura e di attualità 2018 vol 1 gennaio aprile terebinto edizioni 2018 0 libro disp in 5 gg lavorativi 14 25 15 00 5 140 punti aggiungi al carrello venditore ibs altri 6 venditori da 14 24 1 promozioni attive prenota e ritira in 2 ore verifica disponibilità descrizione dettagli descrizione

**riscontri rivista di cultura e di attualità mondadori store** - Sep 04 2022

web acquista online riscontri rivista di cultura e di attualità di riscontri in formato ebook su mondadori store

**riscontri rivista di cultura e di attualità overdrive** - Jun 13 2023

web may 13 2021 riscontri è una testata unica nel suo genere che si caratterizza per l'approccio globale al mondo della cultura con articoli di critica letteraria di storia e di filosofia

**riscontri rivista di cultura e di attualità di riscontri scribd** - Jul 02 2022

web leggi riscontri rivista di cultura e di attualità di riscontri con una prova gratuita leggi milioni di ebook e audiolibri online e su ipad iphone e android

*riscontri rivista di cultura e di attualità n 3 settembre dicembre 2019* - Aug 03 2022

web dec 29 2019 fondata nel 1979 da mario gabriele giordano riscontri la rivista che mario pomilio ebbe a definire bella e severa ha sempre conservato la sua fondamentale connotazione così originariamente d

**riscontri rivista di cultura e di attualità n 2 maggio agosto 2019** - Jan 08 2023

web aug 15 2019 rivista di cultura e di attualità n 2 maggio agosto 2019 by aa vv read an excerpt of this book add to wishlist riscontri rivista di cultura e di attualità n 2 maggio agosto 2019 by aa vv ebook 4 99

*riscontri rivista di cultura e di attualità overdrive* - Jul 14 2023

web may 4 2019 rivista di cultura e di attualità ebook n 1 gennaio aprile 2019 by riscontri format ebook author publisher release 04 may 2019 subjects history literary criticism nonfiction find this title in libby the library reading app by overdrive search for a digital library with this title title found at these libraries

**riscontri rivista di cultura e di attualità overdrive** - May 12 2023

web jan 4 2019 riscontri rivista di cultura e di attualità ebook n 2 3 maggio dicembre 2018 by aa vv read a sample format ebook author aa vv publisher il terebinto edizioni release 04 january 2019 subjects children literary criticism nonfiction find this title in libby the library reading app by overdrive

[riscontri italinemo it](#) - Apr 30 2022

web rivista quadrimestrale di cultura e di attualità fondata nel 1979 da mario gabriele giordano fondata nel 1979 e tuttora diretta da mario gabriele giordano riscontri la rivista che mario pomilio ebbe a definire bella e severa ha sempre conservato la sua fondamentale connotazione così originariamente definita nell'editoriale

**riscontri rivista di cultura e di attualità on apple books** - Nov 06 2022

web fondata nel 1979 da mario gabriele giordano riscontri la rivista che mario pomilio ebbe a definire bella e severa ha sempre conservato la sua fondamentale connotazione così originariamente definita nell'editoriale programmatico la fede in una cultura che non sia strumento in rapporto a fini prestabiliti ma coscienza

*riscontri rivista di cultura e di attualità 2019 vol 1 libreria ibs* - Dec 27 2021

web rivista di cultura e di attualità 2019 vol 1 è un ebook di riscontri pubblicato da streetlib a 2 99 il file è in formato epub2 con adobe drm risparmia online con le offerte ibs

riscontri rivista di cultura e di attualità 2019 riscontri rivista di - Jun 01 2022

web riscontri rivista di cultura e di attualità 2019 riscontri rivista di cultura e di attualità n 3 settembre dicembre 2019 by riscontri ettore barra scognamiglio il terebinto edizioni riscontri rivista di cultura e di attualità libro rinasce riscontri la rivista culturale nata nel 1979 riscontri home facebook prima edizione 2018 il

**riscontri rivista di cultura e di attualità n 1 gennaio aprile 2019** - Feb 09 2023

web fondata nel 1979 da mario gabriele giordano riscontri la rivista che mario pomilio ebbe a definire bella e severa ha sempre conservato la sua fondamentale connotazione così originariamente definita nell editoriale programmatico la fede in una cultura che non sia strumento in rapporto a fini prestabiliti ma coscienza

**riscontri rivista di cultura e di attualità n 2 maggio agosto 2019** - Feb 26 2022

web jun 19 2023 prima edizione 2018 il piacere di scrivere riscontri rivista di cultura e di attualità by aa vv concorso internazionale di saggistica riscontri concorso internazionale di saggistica concorsi indetta la prima edizione del concorso letterario e riscontri rivista di cultura e di per 3 99 nuova serie della rivista di cultura e di attualità

riscontri rivista di cultura e di attualità fnac - Dec 07 2022

web n 3 settembre dicembre 2019 riscontri rivista di cultura e di attualità riscontri il terebinto edizioni des milliers de livres avec la livraison chez vous en 1 jour ou en magasin avec 5 de réduction

riscontri rivista di cultura e di attualità libro terebinto - Mar 10 2023

web rivista di cultura e di attualità terebinto edizioni 2019 0 libro disp in 3 settimane 14 25 15 00 5 140 punti aggiungi al carrello venditore ibs libri 14 25 ebook con drm 2 99 1 promozioni attive prenota e ritira verifica disponibilità dettagli editore terebinto edizioni anno edizione 2019 in commercio dal

**riscontri rivista di cultura e di attualità 2019 vol 3 libreria ibs** - Aug 15 2023

web rivista di cultura e di attualità 2019 vol 3 di riscontri autore streetlib 2019 0 ebook scaricabile subito 4 99 50 punti aggiungi al carrello abbonati a per avere accesso illimitato a questo contenuto venditore ibs ebook con drm 4 99 libri 14 25 descrizione dettagli compatibilità descrizione

*riscontri rivista di cultura e di attualità overdrive* - Oct 05 2022

web jun 28 2022 riscontri è una testata unica nel suo genere che si caratterizza per l approccio globale al mondo della cultura con articoli di critica letteraria di storia e di filosofia

riscontri - Mar 30 2022

web l associazione di promozione sociale riscontri è una comunità di autori di lettori e di studiosi nata dall attività dell omonima rivista nata nel 1979

[riscontri rivista di cultura e di attualità 2019 vol 2 - Apr 11 2023](#)

web acquista riscontri rivista di cultura e di attualità 2019 vol 2 su libreria universitaria spedizione gratuita sopra i 25 euro su libreria universitaria

**gailivro 3 ano help environment harvard edu** - Aug 09 2022

web the gailivro 3 ano it is totally simple then in the past currently we extend the colleague to purchase and create bargains to download and install gailivro 3 ano thus simple air geoff ryman 2004 10 when air the latest communication technology finally comes to the remote village of kizuldah karzistan with disastrous results chung mae

**pdf 3 ano avaliação estudo do meio gailivro free download** - Jul 20 2023

web 3 ano avaliação estudo do meio gailivro click the start the download download pdf report this file description estudo do meio account 52 167 144 175 login register search search partner sites youtube to mp3 converter about us this project started as a student project in 2014 and was presented in 2017

**gailivro 3 ano uniport edu ng** - Sep 10 2022

web gailivro 3 ano 1 8 downloaded from uniport edu ng on april 28 2023 by guest gailivro 3 ano recognizing the artifice ways to acquire this books gailivro 3 ano is additionally useful you have remained in right site to begin getting this info get the gailivro 3 ano associate that we offer here and check out the link

**gailivro 3 ano 2015 ieeeglobalsip org** - Jan 14 2023

web apr 4 2023 gailivro 3 ano this is likewise one of the factors by obtaining the soft documents of this gailivro 3 ano by online you might not require more epoch to spend to go to the book commencement as with ease as search for them in some cases you likewise attain not discover the pronouncement gailivro 3 ano that you are looking for

*in singapore netflix shows with lgbtq themes are rated strictly vice* - Apr 05 2022

web jul 16 2020 07 15 20 but if you thought a foreign owned streaming platform like netflix would be immune to such an anti lgbtq streak think again many objectively wholesome shows on netflix dealing with

[3 ano avaliação estudo do meio gailivro pdf scribd](#) - Aug 21 2023

web save save 3 ano avaliação estudo do meio gailivro for later 92 92 found this document useful mark this document as useful 8 8 found this document not useful mark this document as not useful embed share print download now jump to page you are on page 1 of 42 search inside document you might also like

[fichas e testes 3º ano com soluções fichas para estudar](#) - Feb 15 2023

web fichas e testes 3º ano resumos fichas e testes de avaliação com soluções para o 3º ano para fazer o download e imprimir

clique no disciplina pretendida nota importante todas as semanas são adicionadas novas fichas para ficar a par das novidades siga a nossa página de facebook

**gailivro 3 ano ftp dartgo org** - Apr 17 2023

web gailivro 3 ano 3 3 develop creativity cross curricular thinking with fascinating english for school sections and lively stories that explore social values for each student s book page this workbook features a page of activities students also have access to an online platform with games and supplementary grammar vocabulary and reading

**3 ano avaliacao estudo do meio gailivro pdf pdf scribd** - Sep 22 2023

web 393536067 3 ano avaliacao estudo do meio gailivro pdf free download as pdf file pdf or read online for free  
*download solutions gailivro 3 ano pdf blueskywildlife com* - Oct 11 2022

web we provide gailivro 3 ano pdf and numerous ebook collections from fictions to scientific research in any way along with them is this gailivro 3 ano pdf that can be your partner

**top 30 best yaoi and bl anime 2023 nerd bear** - Mar 04 2022

web apr 21 2023 26 ai no kusabi in the world of ai no kusabi your hair color determines everything this ova is full of eye candy and tense dialogue perfect for fans of yaoi and bl amoi is a planet ruled by an ai named jupiter it has decided that blondes are society s elite and those with dark hair are the lowest class

**gailivro 3 ano pdf** - Jul 08 2022

web gailivro 3 ano pdf introduction gailivro 3 ano pdf pdf android studio game development jerome dimarzio 2015 11 23 this short book walks you through the process of creating mobile games using the new android studio ide

*gailivro 3 ano pdf support ortax org* - Dec 13 2022

web gailivro 3 ano pdf upload arnold r ferguson 2 7 downloaded from support ortax org on september 13 2023 by arnold r ferguson group dynamics in the language classroom zoltán dörnyei 2003 10 16 working learning and living in groups is a central feature of humans and therefore the study of groups called group dynamics is a vibrant

**gailivro 3 ano pdf esa pybossa com** - May 06 2022

web gailivro 3 ano pdf pages 3 21 gailivro 3 ano pdf upload herison j boyle 3 21 downloaded from esa pybossa com on september 28 2023 by herison j boyle toughest and most entertaining social critics the grammar of fantasy gianni rodari 2024 04 02 a collection of essays from the visionary

*pdf 3 ano avaliação estudo do meio gailivro free download* - Jun 19 2023

web mar 8 2023 report 3 ano avaliação estudo do meio gailivro please fill this form we will try to respond as soon as possible your name email reason description submit close share embed 3 ano avaliação estudo do meio gailivro please copy and

*gailivro 3 ano uniport edu ng* - Jun 07 2022

web jun 5 2023 *gailivro 3 ano 1 9* downloaded from uniport edu ng on june 5 2023 by guest *gailivro 3 ano* right here we have countless book *gailivro 3 ano* and collections to check out we additionally meet the expense of variant types and as a consequence type of the books to browse the usual book fiction history novel scientific

**gailivro 3 ano orientation sutd edu** - Nov 12 2022

web *gailivro 3 ano carta dos alunos da eb 2 3 de baixo barroso 2009 12 15* uma carta com muitas opiniões enviadas pelos alunos da eb 2 3 de baixo barroso pode ser lida aqui tema i a europa e o mundo no limiar do século xx i 1 hegemonia e declínio da influência europeia i 2 a revolução soviética i 3 portugal da 1ª república à ditadura

**3 ano estudo do meio gailivro fichas de avaliação pdf scribd** - May 18 2023

web 3 ano estudo do meio *gailivro fichas de avaliação* free download as pdf file pdf or read online for free

*gailivro 3 ano cyberlab sutd edu sg* - Mar 16 2023

web *gailivro 3 ano publishers international isbn directory jul 16 2022* teaching and learning portuguese in canada apr 20 2020 the teaching of portuguese across the vast canadian territory characterized by one particular variety at times or through a dynamic convergence of both portuguese and brazilian varieties at others has attracted primarily

*fichas de avaliação gailivro 3º ano portugues pdf scribd* - Oct 23 2023

web o manual de português *gailivro 3º ano* e não pode ser comercializada separadamente *fichas de avaliação gailivro 3º ano* portugues free download as pdf file pdf text file txt or read online for free