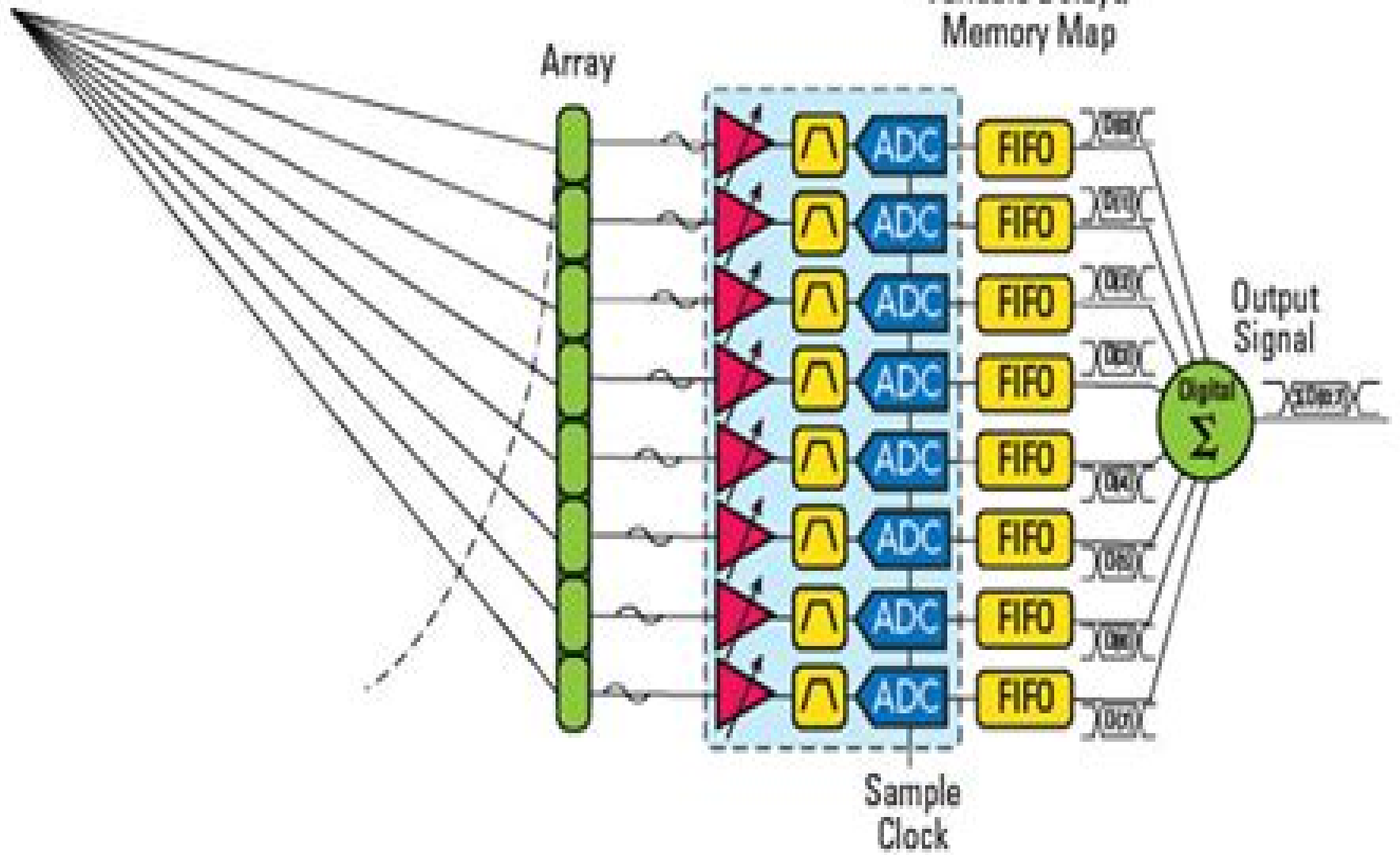


Focal Point



# Array Processing Applications To Radar

**R Sandford**



## **Array Processing Applications To Radar:**

**Array Processing** Simon S. Haykin, 1980      Radar Array Processing Simon Haykin, John Litva, Terence J. Shepherd, 2013-03-08 Radar Array Processing presents modern techniques and methods for processing radar signals received by an array of antenna elements With the recent rapid growth of the technology of hardware for digital signal processing it is now possible to apply this to radar signals and thus to enlist the full power of sophisticated computational algorithms Topics covered in detail here include super resolution methods of array signal processing as applied to radar adaptive beam forming for radar and radar imaging This book will be of interest to researchers and students in the radar community and also in related fields such as sonar seismology acoustics and radio astronomy      Handbook on Array Processing and Sensor Networks Simon Haykin, K. J. Ray Liu, 2010-02-12 A handbook on recent advancements and the state of the art in array processing and sensor Networks Handbook on Array Processing and Sensor Networks provides readers with a collection of tutorial articles contributed by world renowned experts on recent advancements and the state of the art in array processing and sensor networks Focusing on fundamental principles as well as applications the handbook provides exhaustive coverage of wavelets spatial spectrum estimation MIMO radio propagation robustness issues in sensor array processing wireless communications and sensing in multi path environments using multi antenna transceivers implicit training and array processing for digital communications systems unitary design of radar waveform diversity sets acoustic array processing for speech enhancement acoustic beamforming for hearing aid applications undetermined blind source separation using acoustic arrays array processing in astronomy digital 3D 4D ultrasound imaging technology self localization of sensor networks multi target tracking and classification in collaborative sensor networks via sequential Monte Carlo energy efficient decentralized estimation sensor data fusion with application to multi target tracking distributed algorithms in sensor networks cooperative communications distributed source coding network coding for sensor networks information theoretic studies of wireless networks distributed adaptive learning mechanisms routing for statistical inference in sensor networks spectrum estimation in cognitive radios nonparametric techniques for pedestrian tracking in wireless local area networks signal processing and networking via the theory of global games biochemical transport modeling estimation and detection in realistic environments and security and privacy for sensor networks Handbook on Array Processing and Sensor Networks is the first book of its kind and will appeal to researchers professors and graduate students in array processing sensor networks advanced signal processing and networking      **Radar Array Processing** Simon Haykin, John Litva, Terence J. Shepherd, 2012-03-01 Radar Array Processing presents modern techniques and methods for processing radar signals received by an array of antenna elements With the recent rapid growth of the technology of hardware for digital signal processing it is now possible to apply this to radar signals and thus to enlist the full power of sophisticated computational algorithms Topics covered in detail here include super resolution methods of array signal processing as applied to radar adaptive beam forming for radar and radar

imaging This book will be of interest to researchers and students in the radar community and also in related fields such as sonar seismology acoustics and radio astronomy Wireless, Networking, Radar, Sensor Array Processing, and Nonlinear Signal Processing Vijay Madisetti, 2018-09-03 Now available in a three volume set this updated and expanded edition of the bestselling The Digital Signal Processing Handbook continues to provide the engineering community with authoritative coverage of the fundamental and specialized aspects of information bearing signals in digital form Encompassing essential background material technical details standards and software the second edition reflects cutting edge information on signal processing algorithms and protocols related to speech audio multimedia and video processing technology associated with standards ranging from WiMax to MP3 audio low power high performance DSPs color image processing and chips on video Drawing on the experience of leading engineers researchers and scholars the three volume set contains 29 new chapters that address multimedia and Internet technologies tomography radar systems architecture standards and future applications in speech acoustics video radar and telecommunications This volume Wireless Networking Radar Sensor Array Processing and Nonlinear Signal Processing provides complete coverage of the foundations of signal processing related to wireless radar space time coding and mobile communications together with associated applications to networking storage and communications

**Signal Processing and Its Applications** N.K. Bose, Calyampudi Radhakrishna Rao, 1993-09-07 Hardbound This volume of the Handbook of Statistics presents a state of the art exposition of current topics in signal image processing It provides an excellent balance between both theory and applications The collection of chapters deals with topics such as fast computations and transforms in signal processing sampling theorems parameter estimation and signal modeling image and multidimensional signal processing array processing direction of arrival estimation beamforming adaptive algorithms multiscale signal processing and wavelet transforms Other subjects include VLSI implementations in hardware image gathering and video coding spectrum estimation neural net sensor fusion hidden Markov models with applications in speech recognition design of special types of digital filter structures and innovative methods for performance evaluation of such structures as well as more general systems which are encountered in signal processing **Applications in**

**Time-Frequency Signal Processing** Antonia Papandreou-Suppappola, 2018-10-03 Because most real world signals including speech sonar communication and biological signals are non stationary traditional signal analysis tools such as Fourier transforms are of limited use because they do not provide easily accessible information about the localization of a given frequency component A more suitable approach for those studying non stationary signals is the use of time frequency representations that are functions of both time and frequency Applications in Time Frequency Signal Processing investigates the use of various time frequency representations such as the Wigner distribution and the spectrogram in diverse application areas Other books tend to focus on theoretical development This book differs by highlighting particular applications of time frequency representations and demonstrating how to use them It also provides pseudo code of the computational algorithms

for these representations so that you can apply them to your own specific problems Written by leaders in the field this book offers the opportunity to learn from experts Time Frequency Representation TFR algorithms are simplified enabling you to understand the complex theories behind TFRs and easily implement them The numerous examples and figures review of concepts and extensive references allow for easy learning and application of the various time frequency representations

**New Algorithms and Analysis for Source Localization Using Uniform Linear Arrays** Joseph August Marks,1993

**Digital Signal Processing Handbook on CD-ROM** VIJAY MADISETTI,Douglas Williams,1999-02-26 A best seller in its print version this comprehensive CD ROM reference contains unique fully searchable coverage of all major topics in digital signal processing DSP establishing an invaluable time saving resource for the engineering community Its unique and broad scope includes contributions from all DSP specialties including telecommunications computer engineering acoustics seismic data analysis DSP software and hardware image and video processing remote sensing multimedia applications medical technology radar and sonar applications

**Scientific and Technical Aerospace Reports** ,1994 *The Digital Signal Processing Handbook* VIJAY MADISETTI,1997-12-29 The field of digital signal processing DSP has spurred developments from basic theory of discrete time signals and processing tools to diverse applications in telecommunications speech and acoustics radar and video This volume provides an accessible reference offering theoretical and practical information to the audience of DSP users This immense compilation outlines both introductory and specialized aspects of information bearing signals in digital form creating a resource relevant to the expanding needs of the engineering community It also explores the use of computers and special purpose digital hardware in extracting information or transforming signals in advantageous ways Impacted areas presented include Telecommunications Computer engineering Acoustics Seismic data analysis DSP software and hardware Image and video processing Remote sensing Multimedia applications Medical technology Radar and sonar applications This authoritative collaboration written by the foremost researchers and practitioners in their fields comprehensively presents the range of DSP from theory to application from algorithms to hardware

**Radar Data Processing With Applications** He You,Xiu Jianjuan,Guan Xin,2016-08-01 Radar Data Processing with Applications Radar Data Processing with Applications He You Xiu Jianjuan Guan Xin Naval Aeronautical and Astronautical University China A summary of thirty years worth of research this book is a systematic introduction to the theory development and latest research results of radar data processing technology Highlights of the book include sections on data pre processing technology track initiation and data association Readers are also introduced to maneuvering target tracking multiple target tracking termination and track management theory In order to improve data analysis the authors have also included group tracking registration algorithms and a performance evaluation of radar data processing Presents both classical theory and development methods of radar data processing Provides state of the art research results including data processing for modern radars and tracking performance evaluation theory Includes coverage of performance evaluation registration

algorithm for radar networks data processing of passive radar pulse Doppler radar and phased array radar Features applications for those engaged in information engineering radar engineering electronic countermeasures infrared techniques sonar techniques and military command Radar Data Processing with Applications is a handy guide for engineers and industry professionals specializing in the development of radar equipment and data processing It is also intended as a reference text for electrical engineering graduate students and researchers specializing in signal processing and radars *Invariant Hypothesis Testing with Sensor Arrays* Sandip Bose,1995 *Real Time Signal Processing VI* Keith Bromley,1983

Wavelet Applications ,1996 **Advances in Radar Techniques** John Clarke,Institution of Electrical Engineers,1985

**Radar Handbook, Third Edition** Merrill I. Skolnik,2008-02-17 The Industry Standard in Radar Technology Now Updated with All the Advances and Trends of the Past 17 Years Turn to the Third Edition of Radar Handbook for state of the art coverage of the entire field of radar technology\_from fundamentals to the newest applications With contributions by 30 world experts this resource examines methods for predicting radar range and explores radar subsystems such as receivers transmitters antennas data processing ECCM and pulse compression This radar handbook also explains the target cross section radar echoes from ground and sea and all radar systems including MTI AMTI pulse doppler and others Using SI units the Third Edition of Radar Handbook features Unsurpassed guidance on radar fundamentals theory and applications Hundreds of examples and illustrations New to this edition new chapters on radar digital signal processing radar in air traffic control ground penetrating radar fighter aircraft radar and civil marine radar 22 thoroughly revised chapters 17 new contributors Inside This Cutting Edge Radar Guide MTI Radar Pulse Doppler Radar Multifunctional Radar Systems for Fighter Aircraft Radar Receivers Automatic Detection Tracking and Sensor Integration Pulse Compression Radar Radar Transmitters Reflector Antennas Phased Array Radar Antennas Radar Cross Section Sea Clutter Ground Echo Space Based Radar Meteorological Radar HF Over the Horizon Radar Ground Penetrating Radar Civil Marine Radar Bistatic Radar Radar Digital Signal Processing And More **IEEE International Symposium on Phased Array Systems and Technology** ,2003 *An Introductory Guide to EC Competition Law and Practice* Valentine Korah,1994 **Canadian Electrical Engineering Journal** ,1980

Recognizing the showing off ways to get this books **Array Processing Applications To Radar** is additionally useful. You have remained in right site to start getting this info. get the Array Processing Applications To Radar colleague that we come up with the money for here and check out the link.

You could purchase guide Array Processing Applications To Radar or acquire it as soon as feasible. You could quickly download this Array Processing Applications To Radar after getting deal. So, considering you require the book swiftly, you can straight acquire it. Its fittingly definitely simple and so fats, isnt it? You have to favor to in this appearance

<https://autodiscover.cruiselady.com/files/scholarship/default.aspx/Color%20Atlas%20Of%20Anterior%20Segment%20Eye%20Dise.pdf>

## **Table of Contents Array Processing Applications To Radar**

1. Understanding the eBook Array Processing Applications To Radar
  - The Rise of Digital Reading Array Processing Applications To Radar
  - Advantages of eBooks Over Traditional Books
2. Identifying Array Processing Applications To Radar
  - Exploring Different Genres
  - Considering Fiction vs. Non-Fiction
  - Determining Your Reading Goals
3. Choosing the Right eBook Platform
  - Popular eBook Platforms
  - Features to Look for in an Array Processing Applications To Radar
  - User-Friendly Interface
4. Exploring eBook Recommendations from Array Processing Applications To Radar
  - Personalized Recommendations
  - Array Processing Applications To Radar User Reviews and Ratings
  - Array Processing Applications To Radar and Bestseller Lists

5. Accessing Array Processing Applications To Radar Free and Paid eBooks
  - Array Processing Applications To Radar Public Domain eBooks
  - Array Processing Applications To Radar eBook Subscription Services
  - Array Processing Applications To Radar Budget-Friendly Options
6. Navigating Array Processing Applications To Radar eBook Formats
  - ePub, PDF, MOBI, and More
  - Array Processing Applications To Radar Compatibility with Devices
  - Array Processing Applications To Radar Enhanced eBook Features
7. Enhancing Your Reading Experience
  - Adjustable Fonts and Text Sizes of Array Processing Applications To Radar
  - Highlighting and Note-Taking Array Processing Applications To Radar
  - Interactive Elements Array Processing Applications To Radar
8. Staying Engaged with Array Processing Applications To Radar
  - Joining Online Reading Communities
  - Participating in Virtual Book Clubs
  - Following Authors and Publishers Array Processing Applications To Radar
9. Balancing eBooks and Physical Books Array Processing Applications To Radar
  - Benefits of a Digital Library
  - Creating a Diverse Reading Collection Array Processing Applications To Radar
10. Overcoming Reading Challenges
  - Dealing with Digital Eye Strain
  - Minimizing Distractions
  - Managing Screen Time
11. Cultivating a Reading Routine Array Processing Applications To Radar
  - Setting Reading Goals Array Processing Applications To Radar
  - Carving Out Dedicated Reading Time
12. Sourcing Reliable Information of Array Processing Applications To Radar
  - Fact-Checking eBook Content of Array Processing Applications To Radar
  - Distinguishing Credible Sources
13. Promoting Lifelong Learning

- Utilizing eBooks for Skill Development
  - Exploring Educational eBooks
14. Embracing eBook Trends
- Integration of Multimedia Elements
  - Interactive and Gamified eBooks

### **Array Processing Applications To Radar Introduction**

In today's digital age, the availability of Array Processing Applications To Radar books and manuals for download has revolutionized the way we access information. Gone are the days of physically flipping through pages and carrying heavy textbooks or manuals. With just a few clicks, we can now access a wealth of knowledge from the comfort of our own homes or on the go. This article will explore the advantages of Array Processing Applications To Radar books and manuals for download, along with some popular platforms that offer these resources. One of the significant advantages of Array Processing Applications To Radar books and manuals for download is the cost-saving aspect. Traditional books and manuals can be costly, especially if you need to purchase several of them for educational or professional purposes. By accessing Array Processing Applications To Radar versions, you eliminate the need to spend money on physical copies. This not only saves you money but also reduces the environmental impact associated with book production and transportation. Furthermore, Array Processing Applications To Radar books and manuals for download are incredibly convenient. With just a computer or smartphone and an internet connection, you can access a vast library of resources on any subject imaginable. Whether you're a student looking for textbooks, a professional seeking industry-specific manuals, or someone interested in self-improvement, these digital resources provide an efficient and accessible means of acquiring knowledge. Moreover, PDF books and manuals offer a range of benefits compared to other digital formats. PDF files are designed to retain their formatting regardless of the device used to open them. This ensures that the content appears exactly as intended by the author, with no loss of formatting or missing graphics. Additionally, PDF files can be easily annotated, bookmarked, and searched for specific terms, making them highly practical for studying or referencing. When it comes to accessing Array Processing Applications To Radar books and manuals, several platforms offer an extensive collection of resources. One such platform is Project Gutenberg, a nonprofit organization that provides over 60,000 free eBooks. These books are primarily in the public domain, meaning they can be freely distributed and downloaded. Project Gutenberg offers a wide range of classic literature, making it an excellent resource for literature enthusiasts. Another popular platform for Array Processing Applications To Radar books and manuals is Open Library. Open Library is an initiative of the Internet Archive, a non-profit organization dedicated to digitizing cultural artifacts and making them accessible to the public. Open Library hosts millions of books, including both public domain works

and contemporary titles. It also allows users to borrow digital copies of certain books for a limited period, similar to a library lending system. Additionally, many universities and educational institutions have their own digital libraries that provide free access to PDF books and manuals. These libraries often offer academic texts, research papers, and technical manuals, making them invaluable resources for students and researchers. Some notable examples include MIT OpenCourseWare, which offers free access to course materials from the Massachusetts Institute of Technology, and the Digital Public Library of America, which provides a vast collection of digitized books and historical documents. In conclusion, Array Processing Applications To Radar books and manuals for download have transformed the way we access information. They provide a cost-effective and convenient means of acquiring knowledge, offering the ability to access a vast library of resources at our fingertips. With platforms like Project Gutenberg, Open Library, and various digital libraries offered by educational institutions, we have access to an ever-expanding collection of books and manuals. Whether for educational, professional, or personal purposes, these digital resources serve as valuable tools for continuous learning and self-improvement. So why not take advantage of the vast world of Array Processing Applications To Radar books and manuals for download and embark on your journey of knowledge?

### FAQs About Array Processing Applications To Radar Books

1. Where can I buy Array Processing Applications To Radar books? Bookstores: Physical bookstores like Barnes & Noble, Waterstones, and independent local stores. Online Retailers: Amazon, Book Depository, and various online bookstores offer a wide range of books in physical and digital formats.
2. What are the different book formats available? Hardcover: Sturdy and durable, usually more expensive. Paperback: Cheaper, lighter, and more portable than hardcovers. E-books: Digital books available for e-readers like Kindle or software like Apple Books, Kindle, and Google Play Books.
3. How do I choose a Array Processing Applications To Radar book to read? Genres: Consider the genre you enjoy (fiction, non-fiction, mystery, sci-fi, etc.). Recommendations: Ask friends, join book clubs, or explore online reviews and recommendations. Author: If you like a particular author, you might enjoy more of their work.
4. How do I take care of Array Processing Applications To Radar books? Storage: Keep them away from direct sunlight and in a dry environment. Handling: Avoid folding pages, use bookmarks, and handle them with clean hands. Cleaning: Gently dust the covers and pages occasionally.
5. Can I borrow books without buying them? Public Libraries: Local libraries offer a wide range of books for borrowing.

- Book Swaps: Community book exchanges or online platforms where people exchange books.
6. How can I track my reading progress or manage my book collection? Book Tracking Apps: Goodreads, LibraryThing, and Book Catalogue are popular apps for tracking your reading progress and managing book collections. Spreadsheets: You can create your own spreadsheet to track books read, ratings, and other details.
  7. What are Array Processing Applications To Radar audiobooks, and where can I find them? Audiobooks: Audio recordings of books, perfect for listening while commuting or multitasking. Platforms: Audible, LibriVox, and Google Play Books offer a wide selection of audiobooks.
  8. How do I support authors or the book industry? Buy Books: Purchase books from authors or independent bookstores. Reviews: Leave reviews on platforms like Goodreads or Amazon. Promotion: Share your favorite books on social media or recommend them to friends.
  9. Are there book clubs or reading communities I can join? Local Clubs: Check for local book clubs in libraries or community centers. Online Communities: Platforms like Goodreads have virtual book clubs and discussion groups.
  10. Can I read Array Processing Applications To Radar books for free? Public Domain Books: Many classic books are available for free as they're in the public domain. Free E-books: Some websites offer free e-books legally, like Project Gutenberg or Open Library.

### Find Array Processing Applications To Radar :

*color atlas of anterior segment eye dise*

combatting cardiovascular diseases skilfully

colophon collectors quarterl part14

*colorful world of buttons*

**colt single action army revolver study new discoveries**

colony of virginia

*coloring of plastics theory & practice*

colonial williamsburg a glorious system of things vhs

**columns other island. the irish at lindisfarne**

combustion toxicology

**combat flight simulator ii official strategies and secrets**

*combat carriers and my brushes with history world war ii 19391946*

combined action platoons the u. s. marines other war in vietnam  
colour atlas of liver pathology  
*combating aids communication strategies in action*

### **Array Processing Applications To Radar :**

mitsubishi outlander 2022 leaflet mitsubishi motors viet nam - Jan 10 2023

web title mitsubishi outlander 2022 leaflet created date 2 17 2022 3 28 59 pm

cdn dealereprocess org - Jul 16 2023

web cdn dealereprocess org

outlander brochur kalender 2020 abebooks - Mar 12 2023

web outlander brochur kalender 2020 at abebooks co uk isbn 10 3840178940 isbn 13 9783840178948 hey

**outlander brochur kalender 2020 confrencemeet com** - Jul 04 2022

web outlander brochur kalender 2020 3 3 walks readers through each miracle story providing the biblical text then offering insightful commentary that first connects the event with other biblical themes and then makes clear its meaning for today each discussion ends with a selection of relevant scripture passages quotes from literature and other

*the 2022 mitsubishi outlander* - May 14 2023

web the 2022 outlander 02 tech comfort let your tech take center stage the outlander s available 12 3 digital display is located in front of the driver to provide effortless access to vehicle status navigation and entertainment with multiple views to choose from you can customize the high resolution screen to your preference while the

**mitsubishi outlander brochure 2020 2020 onlymanuals** - Oct 19 2023

web mnz 0034 outlander my20 brochure 4 0 indd 8 9 9 09 19 4 00 pm fsafety for all from its rigid outer shell to the many the vehicle you entrust with your family s you re enclosed inside a high tensile lattice airbags within outlander is engineered protection must take the matter very seriously that directs energy away from passengers for

**which are the best outlander calendar desk available in 2020** - Oct 07 2022

web outlander brochur kalender 2020 go to amazon com outlander 2019 mini calendar go to amazon com at a glance 2019 2020 academic year desk wall calendar small 11 x 8 1 4 clear cover vinyl holder sk700

**outlander brochur kalender 2020** - Feb 28 2022

web outlander brochur kalender 2020 when people should go to the book stores search launch by shop shelf by shelf it is in point of fact problematic this is why we provide the books compilations in this website it will totally ease you to look guide outlander brochur kalender 2020 as you such as

**download a brochure for your mitsubishi vehicle mitsubishi** - Sep 18 2023

web download outlander brochure eclipse cross download eclipse cross brochure asx download asx brochure find a dealer locate a mitsubishi dealer near you using our search tool ask an expert get in touch with one of our mitsubishi experts for any general questions you have book a test drive

**outlander penguin random house** - Feb 11 2023

web outlander series found in historical fiction blending rich historical fiction with riveting adventure and a truly epic love story diana gabaldon s new york times bestselling outlander saga introduced the world to the brilliant claire beauchamp randall and valiant highlander jamie fraser scottish highlands 1945 claire randall a former combat

outlander brochur kalender 2020 calendar amazon co uk - Jun 15 2023

web select the department you want to search in

**outlander brochur kalender 2020 design bluesquare org** - Sep 06 2022

web outlander brochur kalender 2020 downloaded from design bluesquare org by guest brennan lyons simplissime krissy daniels three women three countries one unforgettable journey the braid is a vibrant and singular reminder of what connects us all across borders across languages across cultures

**2020 mitsubishi outlander specs price mpg reviews cars com** - Dec 09 2022

web value with a base price of just over 28 000 with four wheel drive the outlander is a value buy in the crowded three row suv space it comes standard with a 7 inch touchscreen stereo dual zone

**request a brochure of mitsubishi vehicles mitsubishi motors** - Aug 17 2023

web get a full line brochure by mail or download any vehicle brochure in pdf format now to learn more about design safety 2023 outlander plug in hybrid download pdf 4 5 mb 2024 outlander sport download pdf 24 9 mb 2024 mirage mirage g4 download pdf 20 9 mb 2024 eclipse cross

**outlander brochur kalender 2020 protese odontocompany com** - Apr 01 2022

web outlander brochur kalender 2020 downloaded from protese odontocompany com by guest phoebe bridget unforgettable journeys penguin an archive of real life stories about all aspects of human relationships curated by a man traveling on foot throughout scotland bbc arts matt hopwood set off with just a small bag

**mitsubishi outlander brochure 2022 2022 onlymanuals** - May 02 2022

web outlander plug in hybrid ev s next generation battery technology and electric motors now deliver up to 54 more electric driving range so you can go even further with zero tailpipe emissions plus you can use hybrid petrol power for longer road trips with remarkable fuel efficiency mitsubishi plug in hybrid evs offer everything their petrol

*outlander brochur kalender 2020 assets ceu social* - Aug 05 2022

web outlander brochur kalender 2020 outlander brochur kalender 2020 2 downloaded from assets ceu social on 2021 10 06 by guest whole new way kilt optional after recovering from an accident finlay wilson found yoga was the best way to rebuild his strength now a qualified yoga instructor himself he s decided to bring a modern take to

**mitsubishi 2020 brochure root** - Apr 13 2023

web the 2020 mitsubishi outlander checks all the boxes when it comes to comfort and capability there s standard 3 row seating and a choice of two new display audio systems the standard 8 smartphone link and the premium 8 speaker mitsubishi power smartphone system both equipped with apple carplay android auto and siriusxm satellite

*outlander brochur kalender 2020 pdf devy ortax org* - Nov 08 2022

web outlander brochur kalender 2020 pdf pages 4 22 outlander brochur kalender 2020 pdf upload jason q ferguson 4 22 downloaded from devy ortax org on september 4 2023 by jason q ferguson authors and online community we present a year s worth of inspiration to take you out of the ordinary and into the unforgettable doctors and their

**outlander brochur kalender 2020 pdf blueskywildlife** - Jun 03 2022

web to the publication as skillfully as insight of this outlander brochur kalender 2020 pdf can be taken as well as picked to act community public health nursing rosanna demarco 2019 03 19 ensuring students meet the competencies outlined in *introduction to physics 9th edition cutnell download only* - Feb 26 2022

web sharpness of this introduction to physics 9th edition cutnell solutions can be taken as competently as picked to act principles of measurement systems 3 e bentley 2000

**pdf solutions manual physics 9th edition by john d cutnell** - Sep 04 2022

web introduction to physics 9th edition cutnell solutions student solutions manual for fundamentals of physics apr 06 2020 student solutions manual to accompany

**solutions for physics 9th by john d cutnell kenneth w** - Apr 11 2023

web welcome to the web site for introduction to physics 9th edition international student version by john d cutnell kenneth w johnson this web site gives you access to the

*introduction to physics 9th edition cutnell solutions book* - Jul 02 2022

web sep 22 2015 introduction to physics john d cutnell kenneth w johnson david young shane stadler wiley sep 22 2015 science 896 pages cutnell and johnson

*introduction to physics 9th edition cutnell solutions* - Nov 25 2021

**cutnell johnson introduction to physics 9th edition international** - Mar 10 2023

web verified textbook solutions need answers to physics 9th edition published by john wiley and sons get help now with

immediate access to step by step textbook answers

**introduction to physics 9th ed by john d cutnell ebook** - Jun 01 2022

web introduction to physics 9th edition cutnell 1 introduction to physics 9th edition cutnell introduction to physics physics siu edu physics 9th edition textbook

buy introduction to physics book online at low prices in india - Sep 23 2021

introduction to physics john d cutnell kenneth w johnson - Dec 27 2021

web introduction to physics paperback 12 june 2015 by john d cutnell author kenneth w johnson author david young author shane stadler author 1 more 4 9 4 9 out

**introduction to physics john d cutnell kenneth w johnson** - Oct 05 2022

web jun 16 2023 solutions manual physics 9th edition by john d cutnell kenneth w johnson the book is available for you to download in pdf format you

**cutnell johnson introduction to physics 9th edition international** - May 12 2023

web solutions for physics 9th john d cutnell kenneth w johnson get access to all of the answers and step by step video explanations to this book and 5 000 more try

solutions manual physics 9th edition by john d - Jul 14 2023

web cutnell johnson physics 9780470879528 solutions and answers quizlet find step by step solutions and answers to cutnell johnson physics 9780470879528

cutnell and johnson physics 9th edition solutions and - Aug 15 2023

web now with expert verified solutions from cutnell and johnson physics 9th edition you ll learn how to solve your toughest homework problems our resource for cutnell and

*cutnell johnson physics 9th edition student companion site* - Jan 08 2023

web textbook solutions for physics 9th edition john d cutnell and others in this series view step by step homework solutions for your homework ask our subject experts for help

introduction to physics john d cutnell kenneth w johnson - Mar 30 2022

web introduction to physics paperback 1 january 2016 by the tenth edition continues to offer material to help the development of conceptual understanding and show the

*introduction to physics by john d cutnell goodreads* - Aug 03 2022

web cutnell and johnson has been the 1 text in the algebra based physics market for almost 20 years physics 9e continues that tradition by providing superior support students

**introduction to physics 9th edition cutnell solutions robert s** - Oct 25 2021

**physics 9th edition textbook solutions bartleby** - Dec 07 2022

web these links will open a new window copyright 2000 2023 by john wiley sons inc or related companies all right reserved  
privacy policyprivacy policy

*introduction to physics 9th edition cutnell solutions copy* - Jan 28 2022

web skillfully as sharpness of this introduction to physics 9th edition cutnell solutions can be taken as with ease as picked to  
act essential physics john matolyak 2013 12 17

**physics 9th edition solutions studysoup** - Feb 09 2023

web welcome to the web site for physics 9th edition by john d cutnell kenneth w johnson this web site gives you access to the  
rich tools and resources available for

cutnell johnson physics 9780470879528 solutions and - Jun 13 2023

web cutnell johnson introduction to physics 9th edition international student version instructor companion site home browse  
by chapter browse by resource more

**amazon com physics 9th edition 9780470879528** - Apr 30 2022

web introduction to physics 9th edition introduction to physics amazon co uk john d cutnell cutnell johnson introduction to  
physics 9th edition introduction to

**cutnell johnson physics 9th edition student companion site** - Nov 06 2022

web apr 24 2012 cutnell and johnson has been the 1 text in the algebra based physics market for almost 20 years physics 9e  
continues that tradition by providing superior

**hello free piano sheet music lionel richie boss piano** - Jun 05 2023

web lionel richie hello free piano sheets multiple pdf files available download or print the pdf sheet music for piano of this r b  
and soft rock song by lionel richie for free

*piano solo sheet music hello lionel richie musicalibra* - Mar 22 2022

web on sale lionel richie hello piano solo instrument piano pages 3 difficulty 4 hard arrangement reflet des nuages product  
piano sheet file available for 60 days preview

*lionel richie sheet music downloads at musicnotes com* - May 24 2022

web christian most popular lionel richie sheet music browse all lionel richie sheet music top download sheet music for lionel  
richie choose from lionel richie sheet music for such popular songs as easy hello and we are the world print instantly or sync  
to our free pc web and mobile apps

**lionel richie hello piano tutorial youtube** - Aug 27 2022

web may 7 2020 120k views 3 years ago learn how to play hello by lionel richie piano cover sheet music mymusicssheet.com sm053550 learn piano with skoove

*hello easy sheet music for piano solo pdf interactive* - Apr 03 2023

web lionel richie hello easy for piano solo easy piano sheet music high quality and interactive transposable in any key play along includes an high quality pdf file to download instantly licensed to virtual sheet music by

**hello piano sheet music lachini** - Dec 31 2022

web hello composed by lionel richie instrumental music music genre intermediate with fingering suggestion from music album piano sheet music track 173 song length 2 57 sheet music 3 page s hello other sites hello other performances hello piano sheet music hello golden memories 3 with sheet music

lionel richie piano sheet music downloads at musicnotes.com - Mar 02 2023

web shop our newest and most popular lionel richie sheet music such as easy hello and we are the world or click the button above to browse all lionel richie sheet music

lionel richie hello sheet music easy piano in a minor transposable - Sep 27 2022

web print and download sheet music for hello by lionel richie sheet music arranged for easy piano in a minor transposable *hello sheet music lionel richie piano chords lyrics* - Feb 01 2023

web download and print hello sheet music for piano chords lyrics by lionel richie from sheet music direct

lionel richie hello sheet music in a minor transposable download - May 04 2023

web print and download hello sheet music by lionel richie sheet music arranged for piano vocal guitar and singer pro in a minor transposable sku mn0073920

*hello lionel richie free piano sheet music pdf sheetdownload* - Jul 26 2022

web free pdf download of hello piano sheet music by lionel richie this is free piano sheet music for hello lionel richie provided by elaulademusica.com

*lionel richie hello sheet music for voice piano or guitar pdf* - Oct 29 2022

web download print hello for voice piano or guitar by lionel richie chords lead sheets and lyrics may be included high quality and interactive transpose it in any key change the tempo easy play practice

*lionel richie hello sheet music for piano solo big note book* - Nov 29 2022

web lionel richie hello for piano solo big note book easy piano big note book sheet music high quality and interactive transposable in any key play along includes an high quality pdf file to download instantly about hello digital sheet music for piano solo big note book note glee tv series chord indications included

[hello lionel richie sheet music musescore com](#) - Sep 08 2023

web info play print and download in pdf or midi sheet music from hello lionel richie set collected by qgjk66ryr7

**lionel richie hello sheet music piano solo in a minor** - Aug 07 2023

web print and download hello sheet music by lionel richie arranged for piano instrumental solo in a minor sku mn0104878

**hello sheet music lionel richie sheetmusic free cm** - Oct 09 2023

web download hello sheet music pdf lionel richie hello sheet music pdf lionel richie for piano sheet music scoring piano vocal guitar original key a minor number of pages sheet music pdf 3 and lyrics song hello

**lionel richie hello sheet music download printable pdf** - Apr 22 2022

web arrangement code pvgrhm number of pages 3 price 5 49 download lionel richie hello sheet music notes and printable pdf score arranged for piano vocal guitar right hand melody learn hello music notes in minutes free preview sku 50189

*hello intro lionel richie sheet music for piano solo* - Jul 06 2023

web download and print in pdf or midi free sheet music for hello intro lionel richie arranged by vanheaven for piano solo

[hello upper advanced level lionel richie piano sheet music](#) - Feb 18 2022

web download the piano sheet music of hello upper advanced level by lionel richie sheet music for piano solo get unlimited access to all sheets for 14 days try it for free

[hello lionel richie piano cover sheet music youtube](#) - Jun 24 2022

web nov 14 2018 126k views 4 years ago lionelrichie pianocover hello sheet music available for this arrangement hello musicnotes com l k7dz4 piano tutorial how to play hello