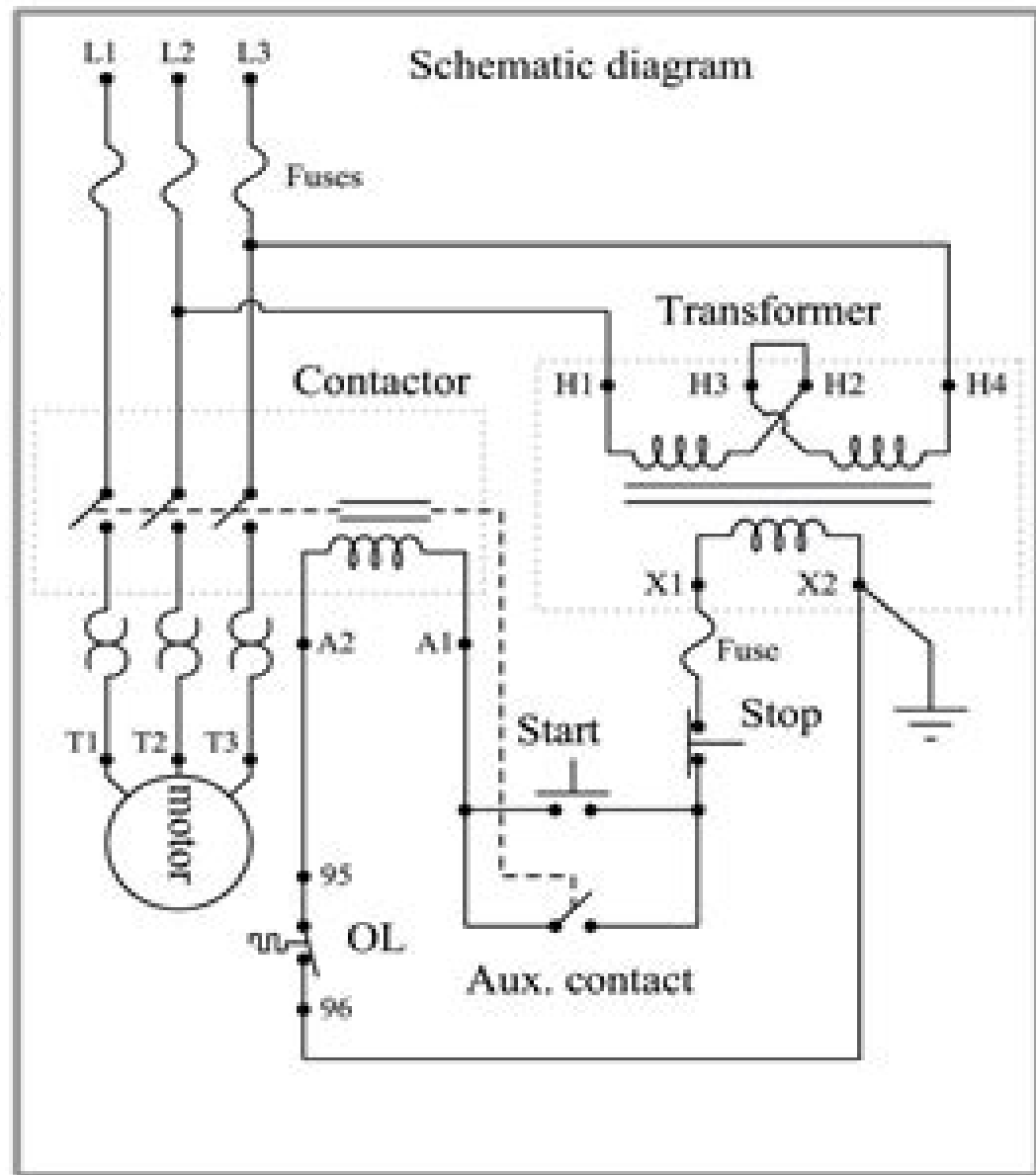
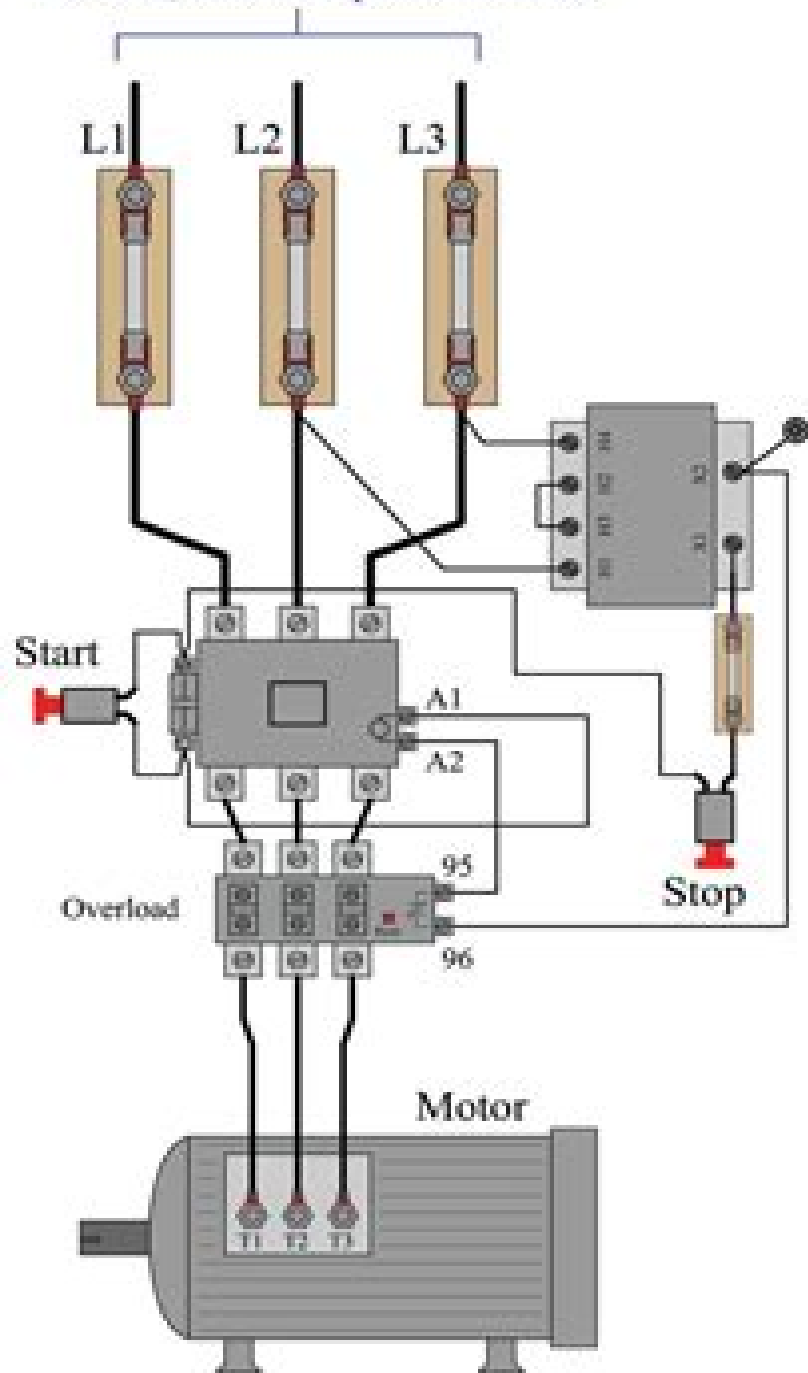


To 3- ϕ , 480 volt power source



Control Circuits

Hongru Du



Control Circuits:

This is likewise one of the factors by obtaining the soft documents of this **Control Circuits** by online. You might not require more times to spend to go to the book inauguration as without difficulty as search for them. In some cases, you likewise reach not discover the statement Control Circuits that you are looking for. It will agreed squander the time.

However below, behind you visit this web page, it will be correspondingly unquestionably simple to get as well as download lead Control Circuits

It will not agree to many times as we run by before. You can pull off it while behave something else at home and even in your workplace. for that reason easy! So, are you question? Just exercise just what we have enough money under as without difficulty as review **Control Circuits** what you similar to to read!

https://autodiscover.cruiselady.com/book/book-search/Download_PDFS/caring_fors_and_documents.pdf

Table of Contents Control Circuits

1. Understanding the eBook Control Circuits
 - The Rise of Digital Reading Control Circuits
 - Advantages of eBooks Over Traditional Books
2. Identifying Control Circuits
 - Exploring Different Genres
 - Considering Fiction vs. Non-Fiction
 - Determining Your Reading Goals
3. Choosing the Right eBook Platform
 - Popular eBook Platforms
 - Features to Look for in an Control Circuits
 - User-Friendly Interface
4. Exploring eBook Recommendations from Control Circuits
 - Personalized Recommendations

- Control Circuits User Reviews and Ratings
- Control Circuits and Bestseller Lists
- 5. Accessing Control Circuits Free and Paid eBooks
 - Control Circuits Public Domain eBooks
 - Control Circuits eBook Subscription Services
 - Control Circuits Budget-Friendly Options
- 6. Navigating Control Circuits eBook Formats
 - ePub, PDF, MOBI, and More
 - Control Circuits Compatibility with Devices
 - Control Circuits Enhanced eBook Features
- 7. Enhancing Your Reading Experience
 - Adjustable Fonts and Text Sizes of Control Circuits
 - Highlighting and Note-Taking Control Circuits
 - Interactive Elements Control Circuits
- 8. Staying Engaged with Control Circuits
 - Joining Online Reading Communities
 - Participating in Virtual Book Clubs
 - Following Authors and Publishers Control Circuits
- 9. Balancing eBooks and Physical Books Control Circuits
 - Benefits of a Digital Library
 - Creating a Diverse Reading Collection Control Circuits
- 10. Overcoming Reading Challenges
 - Dealing with Digital Eye Strain
 - Minimizing Distractions
 - Managing Screen Time
- 11. Cultivating a Reading Routine Control Circuits
 - Setting Reading Goals Control Circuits
 - Carving Out Dedicated Reading Time
- 12. Sourcing Reliable Information of Control Circuits
 - Fact-Checking eBook Content of Control Circuits

- Distinguishing Credible Sources
- 13. Promoting Lifelong Learning
 - Utilizing eBooks for Skill Development
 - Exploring Educational eBooks
- 14. Embracing eBook Trends
 - Integration of Multimedia Elements
 - Interactive and Gamified eBooks

Control Circuits Introduction

In this digital age, the convenience of accessing information at our fingertips has become a necessity. Whether its research papers, eBooks, or user manuals, PDF files have become the preferred format for sharing and reading documents. However, the cost associated with purchasing PDF files can sometimes be a barrier for many individuals and organizations. Thankfully, there are numerous websites and platforms that allow users to download free PDF files legally. In this article, we will explore some of the best platforms to download free PDFs. One of the most popular platforms to download free PDF files is Project Gutenberg. This online library offers over 60,000 free eBooks that are in the public domain. From classic literature to historical documents, Project Gutenberg provides a wide range of PDF files that can be downloaded and enjoyed on various devices. The website is user-friendly and allows users to search for specific titles or browse through different categories. Another reliable platform for downloading Control Circuits free PDF files is Open Library. With its vast collection of over 1 million eBooks, Open Library has something for every reader. The website offers a seamless experience by providing options to borrow or download PDF files. Users simply need to create a free account to access this treasure trove of knowledge. Open Library also allows users to contribute by uploading and sharing their own PDF files, making it a collaborative platform for book enthusiasts. For those interested in academic resources, there are websites dedicated to providing free PDFs of research papers and scientific articles. One such website is Academia.edu, which allows researchers and scholars to share their work with a global audience. Users can download PDF files of research papers, theses, and dissertations covering a wide range of subjects. Academia.edu also provides a platform for discussions and networking within the academic community. When it comes to downloading Control Circuits free PDF files of magazines, brochures, and catalogs, Issuu is a popular choice. This digital publishing platform hosts a vast collection of publications from around the world. Users can search for specific titles or explore various categories and genres. Issuu offers a seamless reading experience with its user-friendly interface and allows users to download PDF files for offline reading. Apart from dedicated platforms, search engines also play a crucial role in finding free PDF files. Google, for instance, has an advanced search feature that allows users to

filter results by file type. By specifying the file type as "PDF," users can find websites that offer free PDF downloads on a specific topic. While downloading Control Circuits free PDF files is convenient, it's important to note that copyright laws must be respected. Always ensure that the PDF files you download are legally available for free. Many authors and publishers voluntarily provide free PDF versions of their work, but it's essential to be cautious and verify the authenticity of the source before downloading Control Circuits. In conclusion, the internet offers numerous platforms and websites that allow users to download free PDF files legally. Whether it's classic literature, research papers, or magazines, there is something for everyone. The platforms mentioned in this article, such as Project Gutenberg, Open Library, Academia.edu, and Issuu, provide access to a vast collection of PDF files. However, users should always be cautious and verify the legality of the source before downloading Control Circuits any PDF files. With these platforms, the world of PDF downloads is just a click away.

FAQs About Control Circuits Books

1. Where can I buy Control Circuits books? Bookstores: Physical bookstores like Barnes & Noble, Waterstones, and independent local stores. Online Retailers: Amazon, Book Depository, and various online bookstores offer a wide range of books in physical and digital formats.
2. What are the different book formats available? Hardcover: Sturdy and durable, usually more expensive. Paperback: Cheaper, lighter, and more portable than hardcovers. E-books: Digital books available for e-readers like Kindle or software like Apple Books, Kindle, and Google Play Books.
3. How do I choose a Control Circuits book to read? Genres: Consider the genre you enjoy (fiction, non-fiction, mystery, sci-fi, etc.). Recommendations: Ask friends, join book clubs, or explore online reviews and recommendations. Author: If you like a particular author, you might enjoy more of their work.
4. How do I take care of Control Circuits books? Storage: Keep them away from direct sunlight and in a dry environment. Handling: Avoid folding pages, use bookmarks, and handle them with clean hands. Cleaning: Gently dust the covers and pages occasionally.
5. Can I borrow books without buying them? Public Libraries: Local libraries offer a wide range of books for borrowing. Book Swaps: Community book exchanges or online platforms where people exchange books.
6. How can I track my reading progress or manage my book collection? Book Tracking Apps: Goodreads, LibraryThing, and Book Catalogue are popular apps for tracking your reading progress and managing book collections. Spreadsheets: You can create your own spreadsheet to track books read, ratings, and other details.

7. What are Control Circuits audiobooks, and where can I find them? Audiobooks: Audio recordings of books, perfect for listening while commuting or multitasking. Platforms: Audible, LibriVox, and Google Play Books offer a wide selection of audiobooks.
8. How do I support authors or the book industry? Buy Books: Purchase books from authors or independent bookstores. Reviews: Leave reviews on platforms like Goodreads or Amazon. Promotion: Share your favorite books on social media or recommend them to friends.
9. Are there book clubs or reading communities I can join? Local Clubs: Check for local book clubs in libraries or community centers. Online Communities: Platforms like Goodreads have virtual book clubs and discussion groups.
10. Can I read Control Circuits books for free? Public Domain Books: Many classic books are available for free as they're in the public domain. Free E-books: Some websites offer free e-books legally, like Project Gutenberg or Open Library.

Find Control Circuits :

caring fors and documents

[carlson architects expanding northwestern regionalism](#)

[carbocation chemistry studies in organic chemistry 21](#)

[cariboo cowboy](#)

careers in communications

[caring relationships the dying and the bereaved](#)

[caring for your kittens and cats](#)

[card play made easy vol. 1 safety plays and endplays](#)

[careers in the city](#)

carbohydrate analysis a practical approach

[caribbean desire harlequin presents 1502](#)

[carbonatesiliclastic mixtures sepm reprint series](#)

[cardiology premier ibue primepractice cd rom only](#)

careers in cable tv eh

[careers in engineering and technology](#)

Control Circuits :

insha ya kifo hakina huruma hata chembe middemb - Nov 06 2022

web vdomdhtmltml insha ya mdokezo maana ya mdokezo mfano wa insha ya mdokezo pdf insha za mdokezo kcse insha

youtube insha ya mdokezo mfano wa insha ya

insha ya harusi middemb - Oct 25 2021

insha ya mdokezo maana ya mdokezo insha ya kuendeleza - Jan 28 2022

web nov 20 2022 insha insha ya methali insha za methali insha ya methali baada ya dhiki faraja mfano wa insha ya methali

insha ya kiswahili insha ya barua ya kirafiki insha

insha notes complete kcpe kcse - Mar 10 2023

web jul 23 2018 mwanafunzi anapaswa kuzingatia mambo kama yafuatayo kabla hajaanza kuandika insha ya methali asome na aelewe maana ya ndani ya methali yenyewe

insha insha ya mahojiano insha ya mjadala insha ya - Sep 23 2021

mifano ya methali paneli la kiswahili gafkosoft - Nov 25 2021

insha paneli la kiswahili gafkosoft - Apr 30 2022

web wakati wa kutosha wa kusoma mazingira shwari ya kusomea matatizo ya kijamii ukosefu wa mahitaji matatizo ya usafiri mabadiliko ya hali ya hewa k m mvua mito

insha ya mtaka cha mvunguni sharti ainame middemb - Feb 26 2022

web jul 26 2023 mfano wa insha ya methali itakayosaidia wewe katika mtihani au masomo mfano wa insha ya methali

ifuatayo below is an example or mfano wa insha ya

elimu insha - Oct 05 2022

web insha ya methali by lilian luka 6 insha ya methali ni insha ya aina gani hii ni insha yenye masimulizi au ufafanuzi wa jambo kwa undani ili kubainisha ukweli wa methali

insha ya methali kiswahili insha notes easy elimu - Aug 15 2023

web nov 17 2020 insha inayosimulia kisa kinachonyesha ukweli au uongo wa methali fulani wazia methali nyingine za kutilia mkazo methali uliyopewa methali huwa na pande mbili na ni lazima insha ya methali izipe sehemu zote mbili uzito sawa upande mmoja hutoa

insha za methali paneli la kiswahili gafkosoft - Jun 13 2023

web june 2013 abdulrahimmzee athari za mazingira katika uteuzi wa msamiati mfano wa 102 1 1 ripoti 2 insha ya methali 3 hatua za kumaliza matumizi ya lugha za asili

aina mbalimbali za insha za mtaala wa - Mar 30 2022

web ifuatayo ni mifano ya methali kipera cha tungo fupi katika fasihi simulizi 1 achekaye kovu hajaona jeraha 2 adhabu ya kaburi aijua maiti 3 adui aangukapo muinue 4 adui

kiswahili insha examples insha za kiswahili elimu centre - Jul 14 2023

web methali huwa na pande mbili na ni lazima insha ya methali izipe sehemu zote mbili uzito sawa upande mmoja hutoa wazo au pendekezo na upande wa pili hutoa jibu suluhisho

elimu insha - Dec 07 2022

web utumiaji wa methali maswali kadirifu kcp 2005 insha kcp 2008 insha juhudi za dereva kutofua dafu kuyumbayumba kwa gari kuanguka kwa gari na kusingirika

elimu kuandika insha - Sep 04 2022

web sep 13 2021 kumbukumbu insha ya mazungumzo insha ya maelezo au wasifu insha ya hotuba barua rasmi barua ya kirafiki ama kindugu dawa za kulevya insha za methali

insha ya mdokezo maana ya mdokezo mfano wa insha ya - Aug 03 2022

web insha hizi zinaweza kuwa za methali mdokezo ama insha zenye mada ambazo hazina mtindo rasmi insha za kiuamilifu ni maandishi yenye mtindo maalum na hutumika katika

elimu insha - Dec 27 2021

mfano wa insha za methali lia erc gov ph - May 12 2023

web sep 3 2020 21k views 2 years ago kiswahilirahisi nikupashe insha insha ya methali insha za methali insha ya methali baada ya dhiki faraja mfano wa insha ya

methali na aina sita za methali middemb - Feb 09 2023

web insha ya tamati katika insha za sampuli hii mtahiniwa huwa amepewa sentensi ya mwisho ya kutamatisha ni sharti mtahiniwa aisome sentensi ile na kuielewa vilivyo kisha

insha class 8 kiswahili revision notes easyelimu - Jun 01 2022

web dec 21 2022 insha ya mdokezo maana ya mdokezo insha ya kuendeleza mfano insha za mdokezo kcse insha ya methali mfano mfano wa insha ya masimulizi insha za

uandishi wa insha za methali ukumbi wa kiswahili - Jan 08 2023

web jul 26 2023 mfano wa insha ya methali ifuatayo below is an example or mfano wa insha ya methali anza kwa wingu

kubwa jeusi lilitokea upande wa mashariki baadaye

methali insha mifano ya insha za methali youtube - Apr 11 2023

web maana ya ndani batini mwili kisa kinachofungamana na methali cha kweli au cha kubuni hitimisho funzo maadili c insha ya maelezo inayohusu kutoa ufafanuzi kuhusu mahali

elimu kuandika insha - Jul 02 2022

web jul 26 2023 insha ya mtaka cha mvunguni sharti ainame methali hii inamaanisha kuwa lazima mtu atie bidii ili apate anachotarajia methali hii hutumika mtu anpopanga kuwa

the cascade method national university of singapore - Oct 06 2023

web practical pneumatics provides a clear and detailed discussion of pneumatic technology by tackling the principles of pneumatic components and the behaviour of air under

introduction cascade method pneumatic circuit uniport edu - Oct 26 2022

web cascade method pneumatic circuit cascade method for pneumatic circuit a b b a design of pneumatic circuit by cascade method animated slideshow how to draw

pneumatic circuits ppt slideshare - May 21 2022

web cascade circuits provide a standard method of solving any sequence the cascade method involves dividing the sequence into groups with each group s manifold power

pneumatic circuit design by cascade method pdf - May 01 2023

web 1 introduction 1 1 1 electro pneumatic systems 1 1 2 advantage of electro pneumatic system 2 1 3 disadvantage of electro pneumatic system 3 chapter two 4 13 2 1

cascade method new pdf actuator valve scribd - Mar 19 2022

web apr 15 2020 how to design pneumatic circuit using cascade method me8694 hydraulics and pneumatics mechatronics lab

pneumatic circuits by cascading method youtube - Jun 02 2023

web pneumatic circuit design by cascade method cascade method simple and easiest method for designing pneumatic logic circuit design this method involves only 5

textbook on pneumatic systems and circuits - Jan 29 2023

web cascade pneumatic circuit design implementation of a sequence of actions by a full pneumatic circuit is widely used in industries many industries like automotive food

introduction cascade method pneumatic circuit vps huratips - Sep 05 2023

web 2 introduction cascade method pneumatic circuit 2020 10 26 the most appropriate control method for a given

application then design the necessary circuit focuses on
new method for designing pneumatic sequential - Dec 16 2021

design of pneumatic circuit by cascade method animated slideshow - Jul 23 2022

web aug 13 2020 1 of 29 pneumatic circuits aug 13 2020 2 likes 1 000 views engineering pneumatic circuits basic
pneumatic circuits development of single actuator

introduction cascade method pneumatic circuit 2022 2013 - Aug 04 2023

web pneumatics advanced level design of power fluid circuits design procedure cascade method 1 make a displacement step
diagram and control chart function diagram 2

pneumatics circuit design psa - Feb 15 2022

web 1 combinational circuit design method 1 2 3 2 sequential circuit design method e g a karnaugh veitch method 5 b step
counter 5 circuit design method with

basics components circuits and cascade design - Nov 26 2022

web jan 10 2022 this video tells about how the cascade pneumatic circuit design created for the cylinder sequencing

introduction cascade method pneumatic circuit medair - Aug 24 2022

web feb 20 2022 subscribe 1 2k views 1 year ago in this video i explained the meaning of cascading and how to design a
pneumatic circuit for the given sequence using

design of pneumatic circuit using cascade - Jun 21 2022

web introduction cascade method pneumatic circuit introduction cascade method pneumatic circuit 2 downloaded from
assets ceu social on 2019 12 09 by guest 2018

introduction cascade method pneumatic circuit - Nov 14 2021

cascade method a b b a pneumatic circuit youtube - Jan 17 2022

web approach covers methods immediately applicable to industrial problems showing how to select the most appropriate
control method for a given application then design the

basic pneumatic cascade pdf mechanical - Jul 03 2023

web jun 6 2018 here in this video pneumatic circuit of a b b a is considered to explain the cascading technique for any basic
videos on basics of pneumatics you can alw

introduction cascade method pneumatic circuit copy lgscout - Dec 28 2022

web aug 5 2023 introduction cascade method pneumatic circuit 2 7 downloaded from uniport edu ng on august 5 2023 by

guest changes additional information and materials

cascade method of pneumatic circuit design youtube - Sep 24 2022

web apr 16 2020 hydraulics and pneumatics unit 4 design of pneumatic circuit cascade method animated slideshow

introduction cascade method pneumatic circuit pdf - Apr 19 2022

web 1 1 1 pneumatic circuit diagram for one cylinder based on a direct control b indirect control 1 1 2 pneumatic circuit diagram a dual pressure valve and function b

design simulation of electro pneumatic system using plc - Mar 31 2023

web examples for pneumatic circuit design using cascade method november 2005 q4 october 2003 examination in both the cascade and the lucas methods of designing

examples for pneumatic circuit design using cascade method - Feb 27 2023

web 2 introduction cascade method pneumatic circuit 2019 08 20 controllers used in hydraulic and pneumatic circuits the accompanying cd rom acquaints readers with

year 8 maths panda - Mar 30 2022

web year 8 past examination material ms means the mark scheme i e the answers november examination november exam 2017 calc november exam 2017 calc ms november exam 2017 non calc november exam 2017 non calc ms skills sheets these sheets are useful for topic test preparation answers are at the end of each sheet

year 8 maths test paper algebra mathematics examination - Jul 02 2022

web jan 26 2022 to get the year 8 maths test paper with the answers follow the 3 simple steps 1 work out the answer to the problem the password is the answer simplify p 2p 3 p 4p 5p 6p 2 click download 3 enter the password answer 4 click submit where to get additional year 8 maths test paper and topics pdf

year 8 exam booklet algebra capra coaching - Jan 28 2022

web year 8 mathematics algebra name 12 which answer is a fully simplified form of $7p^2 - 39$ circle the correct answer a $9p^2 - 4p - 5p^2$ c $210p - 5p$ d $10p - 5p^2$ 13 fully simplify i $5mp - 2m - 7pm$ ii $4ab - 3a$ iii $10a - 15$

adams maths year 8 - Oct 05 2022

web end of year exam revision year 9 year 10 year 11 as maths a level maths as further maths a level further maths adams maths home more year 8 year 8 student resources year 8 booklet end of year exam worksheets to support your revision year 8 year 8 student resources year 8 booklet end of year exam

year 8 maths worksheets studiosity - Aug 03 2022

web test yourself with these next 20 questions with answers covering the full range of numeracy at a year 8 level you'll be answering questions on area and volume measurement probability geometry time and distance

[year 8 revision test paper yayasan secondary mathematics site](#) - Jul 14 2023

web the most logical way to revise is to redo whatever that has been given to you below are the revision test papers that i have given to you for the past few weeks redo them to see if there is any improvement made revision test 1 everyday mathematics year 8 revision test 2 statistics year 8 revision test 3 year 8 revision test 4

year 8 maths exam questions and answers mathematics examination resources - Apr 11 2023

web check out our latest year 8 maths test papers a collection of real classroom test that will help you to prepare for your end of term maths tests year 8 maths exam questions and answers package for schools the revision guide is a package of 200 questions plus solutions answers and justifications ideal for remedial lessons and 1 to 1 tuitions

[year 8 maths worksheets questions answers tests](#) - Sep 04 2022

web when you re looking for year 8 maths worksheets for your child it can be tricky to know where to start we ve made it easy by sharing a selection of our most popular year 8 maths worksheets used by 1000s of parents across the uk for you to test for free below

[free year 8 maths test with answers and mark scheme](#) - Aug 15 2023

web aug 7 2023 beki christian this year 8 maths test is suitable for the majority of year 8 students and contains questions on a wide variety of topics the test includes both procedural questions and applied problems this test

year 8 maths test papers with answers pdf algebra - May 12 2023

web jan 26 2022 if you re a year 8 student in the uk or australia you ll find these revision maths test papers with answers pdf useful see below how to download the free year 8 maths test paper with answers pdf but first here are some important points to consider when you are revising for your maths tests

year 8 maths test paper with answers pdf algebra - Mar 10 2023

web the year 8 maths test paper with answers pdf algebra paper contains classroom tests with 20 questions you can download the free test paper at our maths resource website see the link below first here are some important points that you should know when revising for your maths tests what to expect in your test

aqg all about maths key stage 3 year 8 main tests - Nov 06 2022

web year 8 term 1 main test paper 11 download file 448 kb related resources year 8 term 1 main test paper mark scheme 4 download file 514 kb related resources year 8 term 2 main test paper 13 download file 399 kb related resources year 8 term 2 main test paper mark scheme 5 download file 444 kb related resources

year 8 english test papers maths papers for year 8 free - Dec 07 2022

web download year 8 maths english papers download every past year 8 english and maths test papers to help pupils revise for their end of year tests answers to every question can be found in the marking schemes

year 8 end of year maths test assessment beyond twinkl - Feb 09 2023

web you want it we ll make it 24 7 customer support with real people sign up now to download year 8 end of year maths test with answers accurately measure your students attainment levels in term 3 of the school calendar with this year 8 end of year maths test complete with full sets of answers show more related searches

year 8 test papers with answers pdf answers for 2023 exams - Jun 01 2022

web to get the year 8 maths test paperwith the answers follow the 3 simple steps 1 work out the answer to the problem the password is the answer simplify p 2p 3 p 4p 5p 6p 2 click download 3 enter the password answer 4 click submit where to get additional year 8 maths test paper and topics pdf

2020 year 8 maths question paper maths revision exam papers - Jan 08 2023

web jun 2 2021 steps for downloading 2020 year 8 maths question paper and answers work out the answer to the maths problem write one million seven hundred twenty three kina eighty five toea in number use commas and write the amount properly click download now

year 8 math test revision 767 plays quizizz - Feb 26 2022

web year 8 math test revision quiz for 7th grade students find other quizzes for mathematics and more on quizizz for free

year 8 maths practice test papers osmund - Jun 13 2023

web year 8 maths practice test papers 1st practice papers 1st practice mental maths test a levels 4 6 5 7 6 8 112kb 1st practice mental maths test a transcript levels 4 6 5 7 6 8 215kb 1st practice mental maths test c levels 3 5 191kb 1st practice test 1 levels 3 5 no calculator 373kb

ixl year 8 maths practice - Apr 30 2022

web year 8 maths ixl offers hundreds of year 8 maths skills to explore and learn not sure where to start go to your personalized recommendations wall to find a skill that looks interesting or select a skill plan that aligns to your textbook state

cambridge igcse mathematics 0580 - Dec 27 2021

web an essential subject for all learners cambridge igcse mathematics is a fully examined course which encourages the development of mathematical knowledge as a key life skill and as a basis for more advanced study