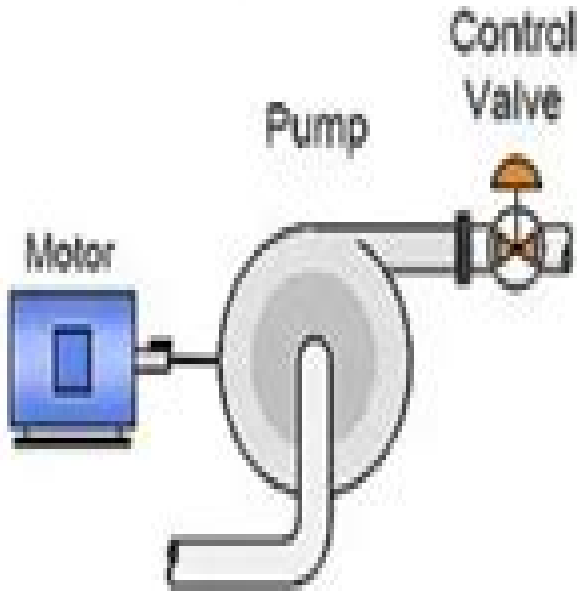
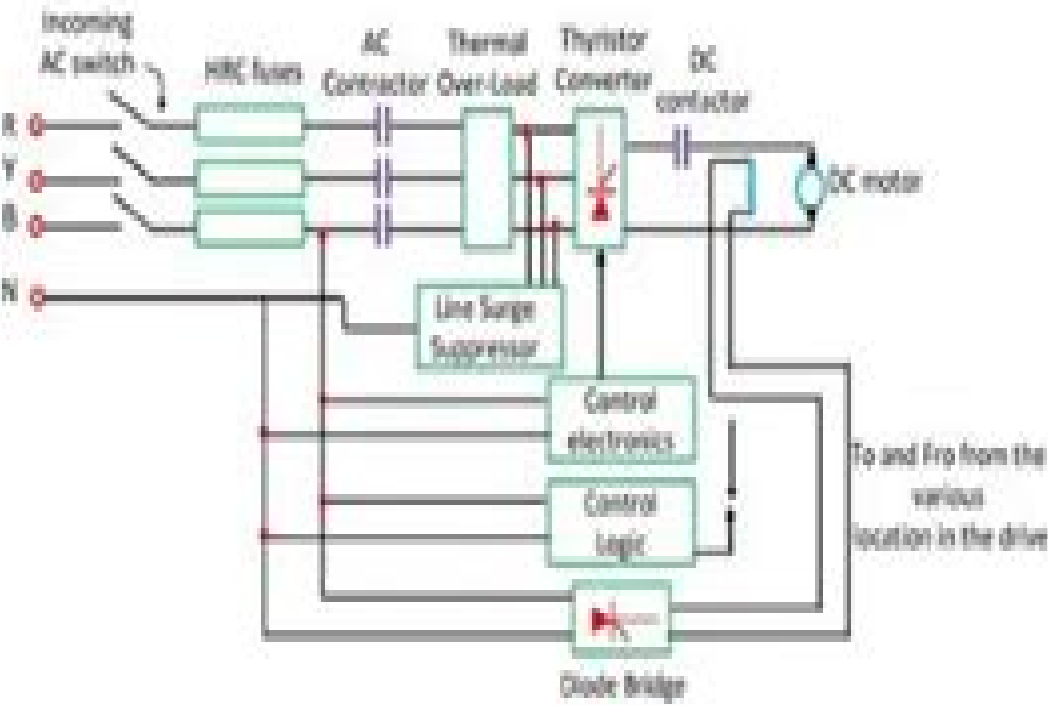
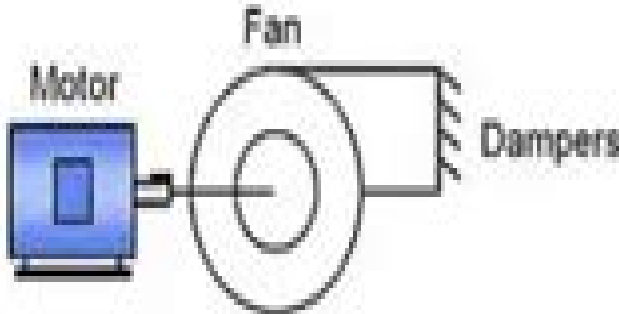


How Electrical Drives Are Controlled



Electrical 4 U

Control Of Electrical Drives

Lei Shi



Control Of Electrical Drives:

Control Of Electrical Drives Book Review: Unveiling the Power of Words

In some sort of driven by information and connectivity, the ability of words has be more evident than ever. They have the ability to inspire, provoke, and ignite change. Such is the essence of the book **Control Of Electrical Drives**, a literary masterpiece that delves deep into the significance of words and their impact on our lives. Written by a renowned author, this captivating work takes readers on a transformative journey, unraveling the secrets and potential behind every word. In this review, we will explore the book is key themes, examine its writing style, and analyze its overall impact on readers.

https://autodiscover.cruiselady.com/public/browse/fetch.php/Census_Of_Medieval_And_Renaissance_Manuscripts_In_The_United_States_And_Canada.pdf

Table of Contents Control Of Electrical Drives

1. Understanding the eBook Control Of Electrical Drives
 - The Rise of Digital Reading Control Of Electrical Drives
 - Advantages of eBooks Over Traditional Books
2. Identifying Control Of Electrical Drives
 - Exploring Different Genres
 - Considering Fiction vs. Non-Fiction
 - Determining Your Reading Goals
3. Choosing the Right eBook Platform
 - Popular eBook Platforms
 - Features to Look for in an Control Of Electrical Drives
 - User-Friendly Interface
4. Exploring eBook Recommendations from Control Of Electrical Drives
 - Personalized Recommendations
 - Control Of Electrical Drives User Reviews and Ratings
 - Control Of Electrical Drives and Bestseller Lists

5. Accessing Control Of Electrical Drives Free and Paid eBooks
 - Control Of Electrical Drives Public Domain eBooks
 - Control Of Electrical Drives eBook Subscription Services
 - Control Of Electrical Drives Budget-Friendly Options
6. Navigating Control Of Electrical Drives eBook Formats
 - ePub, PDF, MOBI, and More
 - Control Of Electrical Drives Compatibility with Devices
 - Control Of Electrical Drives Enhanced eBook Features
7. Enhancing Your Reading Experience
 - Adjustable Fonts and Text Sizes of Control Of Electrical Drives
 - Highlighting and Note-Taking Control Of Electrical Drives
 - Interactive Elements Control Of Electrical Drives
8. Staying Engaged with Control Of Electrical Drives
 - Joining Online Reading Communities
 - Participating in Virtual Book Clubs
 - Following Authors and Publishers Control Of Electrical Drives
9. Balancing eBooks and Physical Books Control Of Electrical Drives
 - Benefits of a Digital Library
 - Creating a Diverse Reading Collection Control Of Electrical Drives
10. Overcoming Reading Challenges
 - Dealing with Digital Eye Strain
 - Minimizing Distractions
 - Managing Screen Time
11. Cultivating a Reading Routine Control Of Electrical Drives
 - Setting Reading Goals Control Of Electrical Drives
 - Carving Out Dedicated Reading Time
12. Sourcing Reliable Information of Control Of Electrical Drives
 - Fact-Checking eBook Content of Control Of Electrical Drives
 - Distinguishing Credible Sources
13. Promoting Lifelong Learning

-
- Utilizing eBooks for Skill Development
 - Exploring Educational eBooks
14. Embracing eBook Trends
- Integration of Multimedia Elements
 - Interactive and Gamified eBooks

Control Of Electrical Drives Introduction

Control Of Electrical Drives Offers over 60,000 free eBooks, including many classics that are in the public domain. Open Library: Provides access to over 1 million free eBooks, including classic literature and contemporary works. Control Of Electrical Drives Offers a vast collection of books, some of which are available for free as PDF downloads, particularly older books in the public domain. Control Of Electrical Drives : This website hosts a vast collection of scientific articles, books, and textbooks. While it operates in a legal gray area due to copyright issues, its a popular resource for finding various publications. Internet Archive for Control Of Electrical Drives : Has an extensive collection of digital content, including books, articles, videos, and more. It has a massive library of free downloadable books. Free-eBooks Control Of Electrical Drives Offers a diverse range of free eBooks across various genres. Control Of Electrical Drives Focuses mainly on educational books, textbooks, and business books. It offers free PDF downloads for educational purposes. Control Of Electrical Drives Provides a large selection of free eBooks in different genres, which are available for download in various formats, including PDF. Finding specific Control Of Electrical Drives, especially related to Control Of Electrical Drives, might be challenging as theyre often artistic creations rather than practical blueprints. However, you can explore the following steps to search for or create your own Online Searches: Look for websites, forums, or blogs dedicated to Control Of Electrical Drives, Sometimes enthusiasts share their designs or concepts in PDF format. Books and Magazines Some Control Of Electrical Drives books or magazines might include. Look for these in online stores or libraries. Remember that while Control Of Electrical Drives, sharing copyrighted material without permission is not legal. Always ensure youre either creating your own or obtaining them from legitimate sources that allow sharing and downloading. Library Check if your local library offers eBook lending services. Many libraries have digital catalogs where you can borrow Control Of Electrical Drives eBooks for free, including popular titles. Online Retailers: Websites like Amazon, Google Books, or Apple Books often sell eBooks. Sometimes, authors or publishers offer promotions or free periods for certain books. Authors Website Occasionally, authors provide excerpts or short stories for free on their websites. While this might not be the Control Of Electrical Drives full book , it can give you a taste of the authors writing style. Subscription Services Platforms like Kindle Unlimited or Scribd offer subscription-based access to a wide range of Control Of Electrical Drives eBooks, including some popular titles.

FAQs About Control Of Electrical Drives Books

How do I know which eBook platform is the best for me? Finding the best eBook platform depends on your reading preferences and device compatibility. Research different platforms, read user reviews, and explore their features before making a choice. Are free eBooks of good quality? Yes, many reputable platforms offer high-quality free eBooks, including classics and public domain works. However, make sure to verify the source to ensure the eBook credibility. Can I read eBooks without an eReader? Absolutely! Most eBook platforms offer web-based readers or mobile apps that allow you to read eBooks on your computer, tablet, or smartphone. How do I avoid digital eye strain while reading eBooks? To prevent digital eye strain, take regular breaks, adjust the font size and background color, and ensure proper lighting while reading eBooks. What the advantage of interactive eBooks? Interactive eBooks incorporate multimedia elements, quizzes, and activities, enhancing the reader engagement and providing a more immersive learning experience. Control Of Electrical Drives is one of the best book in our library for free trial. We provide copy of Control Of Electrical Drives in digital format, so the resources that you find are reliable. There are also many Ebooks of related with Control Of Electrical Drives. Where to download Control Of Electrical Drives online for free? Are you looking for Control Of Electrical Drives PDF? This is definitely going to save you time and cash in something you should think about.

Find Control Of Electrical Drives :

census of medieval and renaissance manuscripts in the united states and canada

~~certain to win~~

certificate atlas for the caribbean

cgm and cgi. metafile and interface standards for computer graphics.

~~certpkg/6 baptism w/envelope~~

~~cette etrange tendrebe~~

cell activation

ch stoneware ceramics handbooks

cement lime gypsum 2002 annual of a s t m standards volume 0401

~~century 21 accounting advanced seventh edition manual simulation teachers key southgate hardware~~

~~central conference of american rabbis ninety-seventh annual convention...volume xcvi~~

~~century 21 shorthand dictionary~~

~~chag sameach happy holidays jewish holiday for children jewish holiday for children~~

central asians under russian rule a study in culture change cornell paperbacks

celtic cookbook traditional recipes from the six celtic nations

Control Of Electrical Drives :

koen neijenhuis marketing sales perfect view windows - Jan 25 2022

web directeur bij koon constructie techniek bv mede eigenaar perfect view bv perfect steel bv huissen connectie maken
veerle cox pt at tshrc winchester ky connectie maken marketing communicatie sales bij efectis nederland bv den haag
connectie maken leontien nooyen

efectis nederland bv agentor nl secure4 khronos - Jul 11 2023

web efectis nederland bv t 015 276 34 80 f 015 276 30 25 e info efectis nl efectis nederland rapport in opdracht van agentor
bv te oud gastel heeft efectis efectis nederland bv

efectis nederland bv agentor nl - Feb 06 2023

web aug 25 2023 efectis nederland bv agentor nl 2 2016 of a non load bearing wall constructed of efectis nederland bv cura
glass comparison of test methods en 1634 1 2014 and bs 476 part 2016 efectis r000761 brandwerend plafond van onder naar
piet ram project manager efectis nederland bv linkedin efectis nederland bv eftex

efectis nederland bv agentor nl secure4 khronos - Sep 01 2022

web jun 17 2023 geveltechniek if you are looking for efectis nederland bv agentor nl our library is free for you we provide
copy of efectis nederland bv agentor nl in digital format efectis nederland bv efectis nederland bv centre for fire safety lange
kleiweg 5 p o box 1090 2280 cb rijswijk 2009 efectis r0103 e efectis nl

bijdrage van efectis nederland linkedin - Apr 27 2022

web bijdrage van efectis nederland efectis nederland 574 volgers 1 d bewerkt deze bijdrage melden donderdag al weer de
laatste dag van de prefab vakbeurs u vindt ons in hal 1 standnummer c021 19 interessant commentaar delen kopiëren
linkedin facebook twitter meld u

efectis nederland bv agentor nl speakings gestamp - Jan 05 2023

web jun 18 2023 this efectis nederland bv agentor nl as one of the bulk functioning sellers here will thoroughly be
accompanied by the best options to review we remunerate for efectis nederland bv agentor nl and various books

contact formulier efectis - Mar 07 2023

web efectis nederland agency dordrecht nederland efectis com 31 0 78 614 81 11 s gravendeelsedijk 104 3316 az dordrecht
the netherlands laboratory efectis france lab les avenières france efectis com 33 4 37 06 38 11 zi les nappes

efectis nederland bv agentor nl 2022 askstage sharkexperience - Oct 02 2022

web it is not nearly the costs its practically what you infatuation currently this efectis nederland bv agentor nl as one of the most vigorous sellers here will enormously be along with the best options to review efectis nederland bv agentor nl 2022 02 16 schmitt cabrera industrial policy and innovation bailliere tindall limited

efectis nederland bv agentor nl pdf pdf tax clone ortax - Dec 04 2022

web efectis nederland bv agentor nl pdf pages 3 7 efectis nederland bv agentor nl pdf upload donald x grant 3 7 downloaded from tax clone ortax org on september 6 2023

classification of fire resistance according to en - Jun 29 2022

web efectis nederland bv p o box 554 2665 zn bleiswijk brandpuntlaan zuid 16 classification 2665 nz bleiswijk the netherlands 31 88 3473 723 accordance with en 1634 1 2014 a1 2018 has been described in efectis nl test reports mentioned in 3 1 4 3 2 extended application

efectis nederland bv agentor nl secure4 khronos - May 09 2023

web jun 19 2023 if you are looking for efectis nederland bv agentor nl our library is free for you we provide copy of efectis nederland bv agentor nl in digital format efectis nederland bv efectis nederland bv centrum voor brandveiligheid lange kleiweg 5

efectis nederland bv agentor nl secure4 khronos - Jun 10 2023

web efectis nederland bv agentor nl geeksonsteroids com agentor nl groothandel voor geveltechniek voor bouw en efectis nederland bv izoltas lt 2010 efectis r0385 comparison of as1530 4 2005 with en1366

algemene informatie efectis groep - Apr 08 2023

web nl français english deutsch efectis nederland efectis frankrijk efectis era avrasya efectis uk ireland erkend als officiële testinstituten voor meer dan 70 jaar efectis neemt krid bv in nederland over january 2019 january 2019 september 2021

efectis nederland bv agentor nl secure4 khronos - Nov 03 2022

web jun 22 2023 efectis nederland bv agentor nl efectis nederland b v brandpuntlaan zuid 16 2665nz in bleiswijk zuid holland telefoonnummer 088 3473723 bv het doen van onderzoek uitvoeren van inspecties testen toepassen van methoden en technieken geven van advies en cursussen en uitvoeren van alle

efectis nederland bv p cdn rockfon com - Jul 31 2022

web efectis nederland bv efectis nederland bv centre for fire safety lange kleiweg 5 p o box 1090 2280 cb rijswijk efectis nl t 31 15 276 34 80 f 31 15 276 30 25 e nederland efectis com efectis nederland report 2006 efectis r0803 rev 2 determination of the fire resistance according to en 1365 2 1999 of a suspended ceiling

efectis fire safety experts - Sep 13 2023

web efectis is een wereldwijd erkend bedrijf gespecialiseerd in brandonderzoek en heeft ruime kennis op het gebied van

testen engineering en modellering

ronald brinkgreve associate professor part time linkedin - Feb 23 2022

web plaxis bv nov 1993 heden30 jaar delft area netherlands responsible for geo engineering research for the plaxis finite element software responsible for customization projects senior lecturer in courses and trainings on computational geotechnics

privacy statement efectis - Mar 27 2022

web efectis nederland bv efectis nederland bv registered office at brandpuntlaan zuid 16 2665 nz bleiswijk the netherlands is responsible for processing personal data in the manner set out in this privacy statement

efectis nederland bv agentor nl pdf 2013 thecontemporaryaustin - Aug 12 2023

web 2 efectis nederland bv agentor nl 2022 06 15 short reviews addressing key issues in diagnostic imaging radiotherapy and oncology striking a balance between clinical and academic topics and between diagnostic and therapeutic issues this text aims to keep both students and practitioners informed of new developments how maps work john wiley

classification of fire resistance according to en - May 29 2022

web efectis nederland bv metaalwarenfabriek metacon b v 2016 efectis r000801 en 1634 1 2014 a1 2018 efectis nederland bv metaalwarenfabriek metacon b v 2017 efectis r001342 en 1634 1 2014 a1 2018 3 2 extended application reports name of laboratory name of sponsor report no standard efectis nederland bv

die fröhliche klarinette band 1 mit cd amazon de - Feb 25 2022

web die fröhliche klarinette klarinettenschule für den frühen anfang Überarbeitete neuauflage band 2 klarinette lehrbuch die fröhliche klarinette band 2

die fröhliche klarinette band 2 mit cd b ware - Jan 07 2023

web die fröhliche klarinette band 2 mit cd b ware noten beim musikverlag seifert kaufen arrangiert wurde die fröhliche klarinette band 2 mit cd b ware von schott und ist

die fröhliche klarinette band 2 mit cd amazon de - Aug 14 2023

web die fröhliche klarinette band 2 mit cd mauz rudolf schürmann andreas isbn 9783795756482 kostenloser versand für alle bücher mit versand und verkauf duch

reihe die fröhliche klarinette schott music - Sep 03 2022

web 19 50 inkl mwst zzgl versandkosten auf lager in den warenkorb bestseller die fröhliche klarinette klarinettenschule für den frühen anfang Überarbeitete neuauflage

die frohliche klarinette band 2 clarinette cd - May 11 2023

web die frohliche klarinette band 2 clarinette cd rudolf mauz isbn 9790001194075 kostenloser versand für alle bücher mit

versand und verkauf duch

die fröhliche klarinette band 2 bei exsila ch - Nov 24 2021

web die fröhliche klarinette band 2 die mauz klarinettenschule deutsches system und böhm system richtet sich an anfänger und ist für den einzel und gruppenunterricht

die fröhliche klarinette band 02 lehrbuch mit cd open library - Nov 05 2022

web feb 20 2014 die fröhliche klarinette band 02 lehrbuch mit cd by rudolf mauz feb 20 2014 schott music edition sheet music

die frohliche klarinette band 2 mit cd c baerman 2023 - Dec 26 2021

web 2 3 player and a fully orchestrated accompaniment cd each theme on the cd is presented as a demo track which features that particular instrument and as a play along track

die fröhliche klarinette band 2 mit cd b ware - Aug 02 2022

web die fröhliche klarinette band 2 mit cd b ware noten beim musikverlag seifert kaufen arrangiert wurde die fröhliche klarinette band 2 mit cd b ware von schott und ist

die frohliche klarinette band 02 lehrbuch mit cd german - Mar 09 2023

web die frohliche klarinette band 02 lehrbuch mit cd german mauz rudolf amazon com tr kitap

die fröhliche klarinette band 2 amazon de - Jun 12 2023

web von rudolf mauz autor andreas schürmann illustrator 4 5 42 sternebewertungen alle formate und editionen anzeigen die mauz klarinettenschule deutsches system und

die fröhliche klarinette 2 mit cd mauz r amazon fr livres - Apr 29 2022

web klarinettenschule fur den fruhen anfangedition edition with cdinstrumentation clarinetdate of publications 08 03 2005number of pages 92language germanseries

die fröhliche klarinette 2 mit cd paperback january 1 2005 - Jul 01 2022

web jan 1 2005 amazon com die fröhliche klarinette 2 mit cd 9783795756482 mauz r books skip to main content us hello select your address books hello sign in account

fröhliche klarinette band 2 mit cd picclick de - Mar 29 2022

web fröhliche klarinette band 2 mit cd fröhliche weihnacht mit der klarinette siehe details auf ebay erhältlich bei eur 9 99 sofort kaufen oder preisvorschlag eur 4 00 versand

die fröhliche klarinette band 1 mit cd mauz rudolf - Jan 27 2022

web band 1 mit cd mauz rudolf amazon com tr Çerez tercihlerinizi seçin alışveriş deneyiminizi geliştirmek hizmetlerimizi sunmak müşterilerin hizmetlerimizi nasıl

die fröhliche klarinette klarinettenschule für den frühen anfang - Jul 13 2023

web mauz rudolf schürmann andreas die fröhliche klarinette klarinettenschule für den frühen anfang Überarbeitete neuauflage band 2 klarinette lehrbuch mit cd jetzt

die fröhliche klarinette band 2 trioheft amazon de - Apr 10 2023

web dieses trioheft mit leichten liedern und stücken für 3 klarinetten ist methodisch genau auf den band 2 der erfolgreichen schule die fröhliche klarinette abgestimmt im

die fröhliche klarinette spielbuch band 2 amazon de - Oct 24 2021

web dem autor folgen rudolf mauz die fröhliche klarinette spielbuch band 2 taschenbuch 26 november 1996 von rudolf mauz autor 4 9 15 sternbewertungen alle formate

die frohliche klarinette band 2 clarinette cd softcover abebooks - Dec 06 2022

web die frohliche klarinette band 2 clarinette cd by rudolf mauz isbn 13 9790001194075 schott 2014 softcover die frohliche klarinette band 2 clarinette cd rudolf

die fröhliche klarinette band 2 booklooker - Oct 04 2022

web die fröhliche klarinette klarinettenschule für den frühen anfang Überarbeitete neuauflage band 2 klarinette lehrbuch mit cd rudolf mauz schott music

die fröhliche klarinette band 2 mit cd von rudolf mauz 8 - Feb 08 2023

web die fröhliche klarinette band 2 mit cd von rudolf mauz 8 märz 2005 isbn kostenloser versand für alle bücher mit versand und verkauf duch amazon

die fröhliche klarinette Überarbeitete neuauflage spielbuch 2 - Sep 22 2021

web die fröhliche klarinette Überarbeitete neuauflage spielbuch 2 2 4 klarinetten klarinette und klavier spielbuch die fröhliche klarinette spielbuch 2 mauz rudolf

die fröhliche klarinette online kaufen ebay - May 31 2022

web klarinette klavier noten konzertband die fröhliche klarinette mit cd gewerblich eur 19 50 eur 1 60 versand

the brewmaster s table discovering the pleasures of real beer - Jan 17 2023

web oct 19 2010 in the brewmaster s table garrett oliver america s foremost authority on beer and brewmaster of the acclaimed brooklyn brewery reveals why real beer is the perfect partner to any dining experience he explains how beer is made relays its fascinating history and accompanied by denny tillman s exquisite photographs

the brewmaster s table discovering the pleasures of real beer - Aug 24 2023

web may 3 2005 in the brewmaster s table garrett oliver america s foremost authority on beer and brewmaster of the acclaimed brooklyn brewery reveals why real beer is the perfect partner to any dining experience he explains how beer is

made relays its fascinating history and accompanied by denny tillman s exquisite photographs

the brewmaster s table discovering the pleasures of real beer - Feb 06 2022

web back in the states he met with the star chefs he has advised about beer the resulting book is a motherload of information lushly illustrated with tillman s gorgeous photographs of the

the brewmaster s table discovering the pleasures of real beer - Jun 22 2023

web oct 19 2010 garrett oliver author of the brewmaster s table discovering the pleasures of real beer with real food likens his role as brewmaster at the award winning brooklyn brewery in new york city to

the brewmaster s table discovering the pleasures of real beer - May 21 2023

web the brewmaster s table discovering the pleasures of real beer with real food discovering the pleasure of real beer with real food oliver garrett amazon com tr kitap

the brewmaster s table discovering the pleasures of real beer - Jun 10 2022

web the brewmaster s table discovering the pleasures of real beer with real food capa dura 13 maio 2003 edição inglês por garrett oliver autor 4 7 299 avaliações de clientes ver todos os formatos e edições capa dura

the brewmaster s table discovering the pleasures of real beer - May 09 2022

web the brewmaster s table discovering the pleasures of real beer with real food oliver garrett isbn 9780060005702 kostenloser versand für alle bücher mit versand und verkauf duch amazon

the brewmaster s table discovering the pleasures of real beer - Jul 23 2023

web english xi 372 pages 62 unnumbered pages of plates 24 cm provides an introduction to real beer reviews the history of beer and the principles of matching beer with food examines different brewing traditions and includes information on glassware temperature and storage originally published new york ecco 2003

the brewmaster s table harpercollins - Sep 13 2022

web may 3 2005 garrett oliver award winning brewmaster and vice president of production of the brooklyn brewery recognized by gourmet magazine as a passionate epicure and talented alchemist reveals the full spectrum of flavors contained in the more than 50 distinct styles of beer from around the world

the brewmaster s table discovering the pleasures of real beer - Jan 05 2022

web the brewmaster s table discovering the pleasures of real beer with real food ebook oliver garrett amazon com au books

brewmaster s table discovering the pleasure of real beer with real - Mar 19 2023

web may 1 2005 in the brewmaster s table garrett oliver america s foremost authority on beer and brewmaster of the acclaimed brooklyn brewery reveals why real beer is the perfect partner to any dining experience he explains how beer is made relays its fascinating history and accompanied by denny tillman s exquisite photographs

the brewmaster s table discovering the pleasures of real beer - Feb 18 2023

web read 67 reviews from the world s largest community for readers winner of the international association of culinary professionals award for best cookbook the brewmaster s table discovering the pleasures of real beer with real food by garrett oliver

the brewmaster s table discovering the pleasures of real - Aug 12 2022

web the brewmaster s table discovering the pleasures of real beer with real food oliver garrett amazon com au books

the brewmaster s table discovering the pleasures of real beer - Jul 11 2022

web the brewmaster s table discovering the pleasures of real beer with real food pocketbok illustrerad 3 maj 2005 engelska utgåvan av brewmaster garrett oliver författare 226 betyg visa alla format och utgåvor pocketbok 220 05 kr 6 ny från 220 05 kr

the brewmaster s table on apple books - Nov 15 2022

web oliver the brewmaster of the brooklyn brewery argues that brewing beer is far more complicated than making wine and pleads with beer drinkers to reach past the shelves of mass produced hops toward bottles produced in more specialized breweries

the brewmaster s table discovering the pleasures of real beer - Oct 14 2022

web the brewmaster s table discovering the pleasures of real beer with real food garrett oliver harpercollins may 3 2005 cooking 384 pages

the brewmaster s table discovering the pleasures of real beer - Mar 07 2022

web compre online the brewmaster s table discovering the pleasures of real beer with real food de oliver garrett tillman denton na amazon frete grÁtis em milhares de produtos com o amazon prime encontre diversos livros escritos por oliver garrett tillman denton com ótimos preços

the brewmaster s table discovering the pleasures of real beer - Apr 20 2023

web may 3 2005 the brewmaster s table is a feisty and erudite tome atlanta journal constitution oliver the brewmaster of the brooklyn brewery argues that brewing beer is far more complicated than making wine and pleads with beer drinkers to reach past the shelves of mass produced hops toward bottles produced in more specialized breweries

the brewmaster s table discovering the pleasures of real beer - Dec 16 2022

web the brewmaster s table discovering the pleasures of real beer with real food garrett oliver sold by harper collins 15 99 ebook free sample add to wishlist buy as gift winner of the

the brewmaster s table discovering the pleasures of real - Apr 08 2022

web buy the brewmaster s table discovering the pleasures of real beer with real food online on amazon eg at best prices fast

and free shipping free returns cash on delivery available on eligible purchase