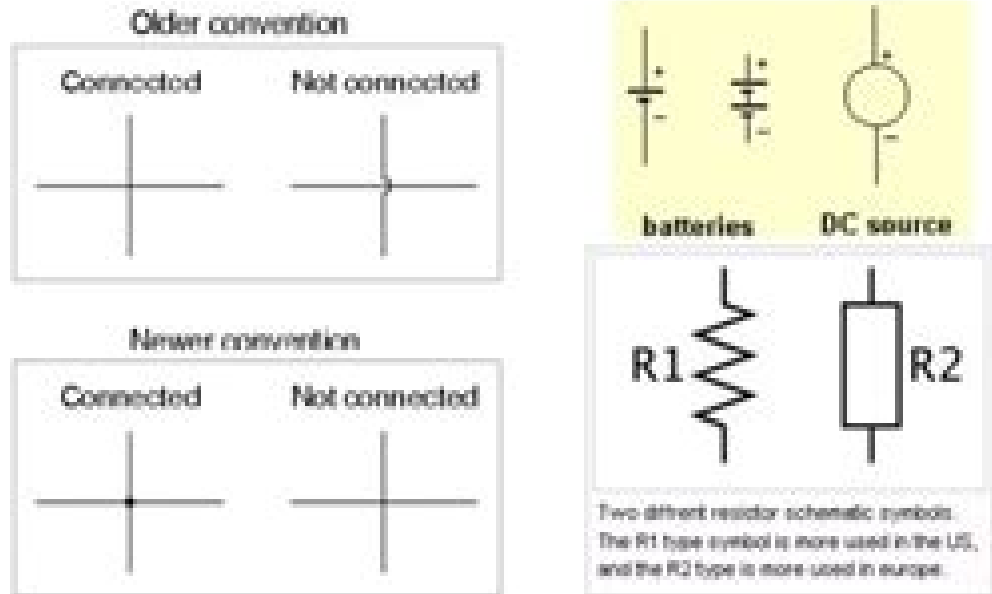
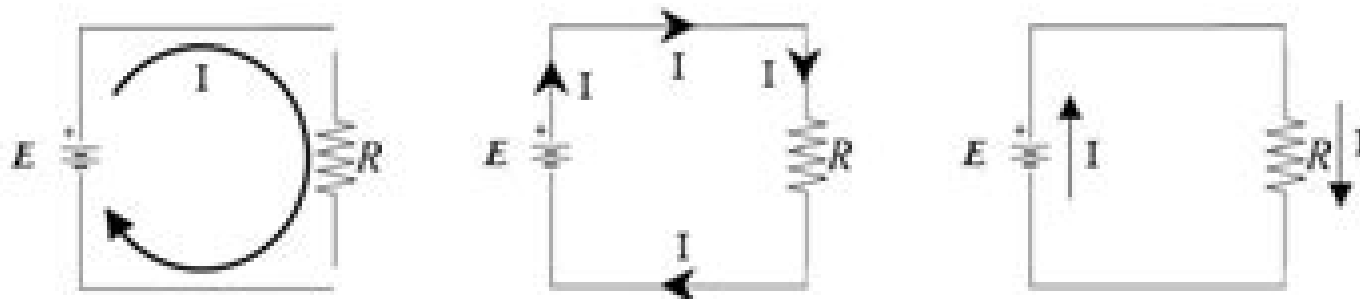


Basic circuit theory

- Conventions - schematics



- While analysing a state of a circuit, one also writes the direction of current and the polarity of voltage in a schematic



Basic Circuit Theory

Charles A. Desoer



Basic Circuit Theory:

Basic Circuit Theory Lawrence P. Huelsman, 1984 New edition of a standard textbook first published in 1972 Intended for EE or computer engineers at the sophomore or junior level Annotation copyrighted by Book News Inc Portland OR **Basic**

Circuit Theory Lawrence P. Huelsman, 1972 Basic Electric Circuit Theory Isaak D. Mayergoyz, W. Lawson, 2012-12-02 This is the only book on the market that has been conceived and deliberately written as a one semester text on basic electric circuit theory As such this book employs a novel approach to the exposition of the material in which phasors and ac steady state analysis are introduced at the beginning This allows one to use phasors in the discussion of transients excited by ac sources which makes the presentation of transients more comprehensive and meaningful Furthermore the machinery of phasors paves the road to the introduction of transfer functions which are then used in the analysis of transients and the discussion of Bode plots and filters Another salient feature of the text is the consolidation into one chapter of the material concerned with dependent sources and operational amplifiers Dependent sources are introduced as linear models for transistors on the basis of small signal analysis In the text PSpice simulations are prominently featured to reinforce the basic material and understanding of circuit analysis Key Features Designed as a comprehensive one semester text in basic circuit theory Features early introduction of phasors and ac steady state analysis Covers the application of phasors and ac steady state analysis Consolidates the material on dependent sources and operational amplifiers Places emphasis on connections between circuit theory and other areas in electrical engineering Includes PSpice tutorials and examples Introduces the design of active filters Includes problems at the end of every chapter Priced well below similar books designed for year long courses **Basic Circuit Theory** Charles A. Desoer, 1969 **Basic Circuit Theory** Charles A. Desoer, Ernest S. Kuh, 1966

Electrical Circuit Analysis Julio Giaimo, 2021-03-12 This book is designed as an introductory course in Electrical and Electronic fundamental knowledge of electrical circuits In this book we provide a concise introduction to basic Circuit analysis Basic knowledge of Calculus and some Physics are the only prerequisites required to follow the topics discussed in the book We've tried to explain the various fundamental concepts of Circuit theory most simply without an overreliance on math Also we have tried to connect the various topics with real life situations wherever possible This way even first timers can learn the basics of Circuit theory with minimum effort Hopefully the students will enjoy this different approach to Circuit Analysis The various concepts of the subject are arranged logically and explained in a simple reader friendly language with illustrative figures **Circuit Theory & Basic Electrical & Electronics Engineering** Dr. Arun Kumar Yadav , Dr. Aarti Rahul Salunke, Dr. Manthan S. Manavadaria , Dr Hans John Dcruz, 2025-09-23 This book provides a comprehensive foundation in Circuit Theory and Basic Electrical and Electronics Engineering covering essential concepts of electric circuits network theorems AC DC analysis semiconductor devices and electronic components It serves as an ideal guide for engineering students to understand analyze and design fundamental electrical and electronic systems effectively **Basic**

Circuit Theory J.D. Mayergoyz, *Foundations of Electric Circuits* J. R. Cogdell, 1999 Extracted from the highly successful *Foundations of Electrical Engineering* by the same author this book designed for a non major one semester course with coverage of electric circuits introduces concepts and vocabulary that are defined clearly and accurately key unifying ideas in electric circuits are identified with icons in the margins and problem solving techniques are presented in the many examples The book presents basic circuit analysis techniques first and second order transient analysis AC circuit theory transient and steady state circuit analysis based on complex numbers and an introduction to electric power systems The presentation assumes knowledge of basic physics and calculus and is ideal for electrical engineering students with one course in circuits Used with *Foundations of Electronics* this book is ideal for a one semester course in circuits and electronics for physics engineering or computer science students

FEATURES BENEFITS Emphasis is placed on clear definitions of concepts and vocabulary Problems are offered at three levels What if problems extending examples in the text with answers Check our understanding problems after each major section with answers and extensive end of chapter problems identified with chapter sections with answers for odd problems Full pedagogical tools chapter objectives marginal aids chapter summaries chapter glossaries tied to context and a complete index

Schaum's Outline of Basic Circuit Analysis, Second Edition John O'Malley, 2011-02-17 The ideal review for your basic circuit analysis course More than 40 million students have trusted Schaum's Outlines for their expert knowledge and helpful solved problems Written by renowned experts in their respective fields Schaum's Outlines cover everything from math to science nursing to language The main feature for all these books is the solved problems Step by step authors walk readers through coming up with solutions to exercises in their topic of choice 700 solved problems Outline format supplies a concise guide to the standard college course in basic circuits Clear concise explanations of all electric circuits concepts Appropriate for the following courses Basic Circuit Analysis Electrical Circuits Electrical Engineering Circuit Analysis Introduction to Circuit Analysis AC DC Circuits Supports and supplements the bestselling textbooks in circuits Easily understood review of basic circuit analysis Supports all the major textbooks for basic circuit analysis courses

Basic Circuit Theory [by] Charles A. Desoer [and] Ernest S. Kuh Charles A. Desoer, 1966 *Fundamentals of Circuit Theory* Norman Balabanian, 2012-03-01 **Basic Electric Circuit Theory** Walter Wallace Lewis, 1958 **Basic Circuit Theory** Lawrence P. Huelsman, 1990 **Basic Electric Circuit Analysis** David E. Johnson, John L. Hilburn, Johnny Ray Johnson, 1978 *Electrical Circuit Theory and Technology* John Bird, 2010-08-31 A fully comprehensive text for courses in electrical principles circuit theory and electrical technology providing 800 worked examples and over 1000 further problems for students to work through at their own pace This book is ideal for students studying engineering for the first time as part of BTEC National and other pre degree vocational courses especially where progression to higher levels of study is likely as well as Higher Nationals Foundation Degrees and first year undergraduate modules Now in its third edition this best selling textbook has been updated with developments in key areas such as

semiconductors transistors and fuel cells along with brand new material on ABCD parameters and Fourier's Analysis Greater emphasis is placed on real world situations in order to ensure the reader can relate the theory to actual engineering practice In addition the text has been restructured throughout so that 175 Exercises now appear at regular intervals which the student can work through to test their learning of essential concepts and check their progress *Circuit Analysis for Complete Idiots* David Smith,2019-07-29 In today's world there's an electronic gadget for everything and inside these gadgets are circuits little components wired together to perform some meaningful function Have you wondered how a led display sign works or how a calculator works or toy cars work How is it possible All because of electrical circuits These tiny components when arranged in certain manner can do wonders Fascinating isn't it Our fascination with gadgets and reliance on machinery is only growing day by day and hence from an engineering perspective it is absolutely crucial to be familiar with the analysis and designing of such Circuits at the very least one should be able to identify components Circuit analysis is one of basic subjects in engineering and particularly important for Electrical and Electronics students So circuit analysis is a good starting point for anyone wanting to get into the field It is a very easy subject to learn and understand but for this reason most of us end up taking the subject lightly and therefore misunderstand many key ideas This will lead to a lot of headache in other subjects In this book we provide a concise introduction into basic Circuit analysis A basic knowledge of Calculus and some Physics are the only prerequisites required to follow the topics discussed in the book We've tried to explain the various fundamental concepts of Circuit theory in the simplest manner without an over reliance on math Also we have tried to connect the various topics with real life situations wherever possible This way even first timers can learn the basics of Circuit theory with minimum effort Hopefully the students will enjoy this different approach to Circuit Analysis The various concepts of the subject are arranged logically and explained in a simple reader friendly language with illustrative figures We have covered basic topics extensively and given an introduction to advanced topics like s domain analysis This book will hopefully serve as inspiration to learn Circuit theory and in turn Electrical engineering in greater depths

Solutions to Problems in Basic Circuit Theory, by C.A. Desoer and E.S. Kuh Wushow Chou,V. P. Verma,1969

Solutions, Basic Circuit Theory with Digital Computation Lawrence P. Huelsman,1972

Digital Computations in

Basic Circuit Theory Lawrence P. Huelsman,1970

Whispering the Secrets of Language: An Mental Journey through **Basic Circuit Theory**

In a digitally-driven earth wherever displays reign great and quick interaction drowns out the subtleties of language, the profound techniques and psychological subtleties hidden within words often move unheard. However, nestled within the pages of **Basic Circuit Theory** a fascinating fictional value pulsing with organic thoughts, lies a fantastic quest waiting to be undertaken. Written by a skilled wordsmith, this marvelous opus invites viewers on an introspective journey, delicately unraveling the veiled truths and profound affect resonating within the material of each and every word. Within the mental depths of this moving evaluation, we can embark upon a heartfelt exploration of the book is core subjects, dissect its interesting writing fashion, and succumb to the strong resonance it evokes deep within the recesses of readers hearts.

https://autodiscover.cruiselady.com/book/detail/Documents/Chinese_San_Francisco_1850_1943_A_Trans_pacific_Community_Asian_America.pdf

Table of Contents Basic Circuit Theory

1. Understanding the eBook Basic Circuit Theory
 - The Rise of Digital Reading Basic Circuit Theory
 - Advantages of eBooks Over Traditional Books
2. Identifying Basic Circuit Theory
 - Exploring Different Genres
 - Considering Fiction vs. Non-Fiction
 - Determining Your Reading Goals
3. Choosing the Right eBook Platform
 - Popular eBook Platforms
 - Features to Look for in an Basic Circuit Theory
 - User-Friendly Interface
4. Exploring eBook Recommendations from Basic Circuit Theory
 - Personalized Recommendations

- Basic Circuit Theory User Reviews and Ratings
- Basic Circuit Theory and Bestseller Lists
- 5. Accessing Basic Circuit Theory Free and Paid eBooks
 - Basic Circuit Theory Public Domain eBooks
 - Basic Circuit Theory eBook Subscription Services
 - Basic Circuit Theory Budget-Friendly Options
- 6. Navigating Basic Circuit Theory eBook Formats
 - ePub, PDF, MOBI, and More
 - Basic Circuit Theory Compatibility with Devices
 - Basic Circuit Theory Enhanced eBook Features
- 7. Enhancing Your Reading Experience
 - Adjustable Fonts and Text Sizes of Basic Circuit Theory
 - Highlighting and Note-Taking Basic Circuit Theory
 - Interactive Elements Basic Circuit Theory
- 8. Staying Engaged with Basic Circuit Theory
 - Joining Online Reading Communities
 - Participating in Virtual Book Clubs
 - Following Authors and Publishers Basic Circuit Theory
- 9. Balancing eBooks and Physical Books Basic Circuit Theory
 - Benefits of a Digital Library
 - Creating a Diverse Reading Collection Basic Circuit Theory
- 10. Overcoming Reading Challenges
 - Dealing with Digital Eye Strain
 - Minimizing Distractions
 - Managing Screen Time
- 11. Cultivating a Reading Routine Basic Circuit Theory
 - Setting Reading Goals Basic Circuit Theory
 - Carving Out Dedicated Reading Time
- 12. Sourcing Reliable Information of Basic Circuit Theory
 - Fact-Checking eBook Content of Basic Circuit Theory

- Distinguishing Credible Sources
- 13. Promoting Lifelong Learning
 - Utilizing eBooks for Skill Development
 - Exploring Educational eBooks
- 14. Embracing eBook Trends
 - Integration of Multimedia Elements
 - Interactive and Gamified eBooks

Basic Circuit Theory Introduction

Basic Circuit Theory Offers over 60,000 free eBooks, including many classics that are in the public domain. Open Library: Provides access to over 1 million free eBooks, including classic literature and contemporary works. Basic Circuit Theory Offers a vast collection of books, some of which are available for free as PDF downloads, particularly older books in the public domain. Basic Circuit Theory : This website hosts a vast collection of scientific articles, books, and textbooks. While it operates in a legal gray area due to copyright issues, its a popular resource for finding various publications. Internet Archive for Basic Circuit Theory : Has an extensive collection of digital content, including books, articles, videos, and more. It has a massive library of free downloadable books. Free-eBooks Basic Circuit Theory Offers a diverse range of free eBooks across various genres. Basic Circuit Theory Focuses mainly on educational books, textbooks, and business books. It offers free PDF downloads for educational purposes. Basic Circuit Theory Provides a large selection of free eBooks in different genres, which are available for download in various formats, including PDF. Finding specific Basic Circuit Theory, especially related to Basic Circuit Theory, might be challenging as theyre often artistic creations rather than practical blueprints. However, you can explore the following steps to search for or create your own Online Searches: Look for websites, forums, or blogs dedicated to Basic Circuit Theory, Sometimes enthusiasts share their designs or concepts in PDF format. Books and Magazines Some Basic Circuit Theory books or magazines might include. Look for these in online stores or libraries. Remember that while Basic Circuit Theory, sharing copyrighted material without permission is not legal. Always ensure youre either creating your own or obtaining them from legitimate sources that allow sharing and downloading. Library Check if your local library offers eBook lending services. Many libraries have digital catalogs where you can borrow Basic Circuit Theory eBooks for free, including popular titles. Online Retailers: Websites like Amazon, Google Books, or Apple Books often sell eBooks. Sometimes, authors or publishers offer promotions or free periods for certain books. Authors Website Occasionally, authors provide excerpts or short stories for free on their websites. While this might not be the Basic Circuit Theory full book , it can give you a taste of the authors writing style. Subscription Services Platforms like Kindle Unlimited or

Scribd offer subscription-based access to a wide range of Basic Circuit Theory eBooks, including some popular titles.

FAQs About Basic Circuit Theory Books

What is a Basic Circuit Theory PDF? A PDF (Portable Document Format) is a file format developed by Adobe that preserves the layout and formatting of a document, regardless of the software, hardware, or operating system used to view or print it. **How do I create a Basic Circuit Theory PDF?** There are several ways to create a PDF: Use software like Adobe Acrobat, Microsoft Word, or Google Docs, which often have built-in PDF creation tools. Print to PDF: Many applications and operating systems have a "Print to PDF" option that allows you to save a document as a PDF file instead of printing it on paper. Online converters: There are various online tools that can convert different file types to PDF. **How do I edit a Basic Circuit Theory PDF?** Editing a PDF can be done with software like Adobe Acrobat, which allows direct editing of text, images, and other elements within the PDF. Some free tools, like PDFescape or Smallpdf, also offer basic editing capabilities. **How do I convert a Basic Circuit Theory PDF to another file format?** There are multiple ways to convert a PDF to another format: Use online converters like Smallpdf, Zamzar, or Adobe Acrobats export feature to convert PDFs to formats like Word, Excel, JPEG, etc. Software like Adobe Acrobat, Microsoft Word, or other PDF editors may have options to export or save PDFs in different formats. **How do I password-protect a Basic Circuit Theory PDF?** Most PDF editing software allows you to add password protection. In Adobe Acrobat, for instance, you can go to "File" -> "Properties" -> "Security" to set a password to restrict access or editing capabilities. Are there any free alternatives to Adobe Acrobat for working with PDFs? Yes, there are many free alternatives for working with PDFs, such as: LibreOffice: Offers PDF editing features. PDFsam: Allows splitting, merging, and editing PDFs. Foxit Reader: Provides basic PDF viewing and editing capabilities. How do I compress a PDF file? You can use online tools like Smallpdf, ILovePDF, or desktop software like Adobe Acrobat to compress PDF files without significant quality loss. Compression reduces the file size, making it easier to share and download. Can I fill out forms in a PDF file? Yes, most PDF viewers/editors like Adobe Acrobat, Preview (on Mac), or various online tools allow you to fill out forms in PDF files by selecting text fields and entering information. Are there any restrictions when working with PDFs? Some PDFs might have restrictions set by their creator, such as password protection, editing restrictions, or print restrictions. Breaking these restrictions might require specific software or tools, which may or may not be legal depending on the circumstances and local laws.

Find Basic Circuit Theory :

chinese san francisco 1850-1943 a trans-pacific community asian america

chiropractic an illustrated history

christ church reform 1850 1867

choices that make us whole a call for selfresponsibility and accountability

choose love for life

chris thile stealing second

choctaw nation

chord studies for electric bab

~~chocolate chips and trumpet tricks alex devotions~~

chords galore a systematic approach to voicing chords on guitar library...

chocolate chips and charity visiting teaching in the real world

~~chocolate soldier~~

~~chinese portraiture~~

choosing to live dr bens miracle

christ and the bible third edition the christian view of the bible series volume 1

Basic Circuit Theory :

33 food journal diary templates to track your meals - Jul 04 2022

web jul 21 2022 a food journal is a useful tool for improving your health it is a tool you can use to track what you eat at every meal keeping a food diary allows you to become more accountable for your eating habits identify your motivation for eating focus on your nutritional requirements know your food triggers such as for pinpointing allergies

food and exercise journal etsy - Aug 05 2022

web daily wellness log daily food and exercise journal daily health planner fillable printable planner inserts a4 a5 letter half size 202 1 91 add to favorites food journal 90 days diet and exercise journal for weight loss and healthy living 1 3k 22 96 free shipping

food and fitness journal webmd - Dec 29 2021

web food and fitness journal studies show and successful losers have proven that keeping track of what you eat and your activity level is one of the most powerful tools to help you shed unwanted pounds and keep them off for good use this

printable food fitness journal or check out the personalized webmd food fitness planner to help keep you
[how to keep a food journal instructions and tips healthline](#) - Jan 30 2022

web sep 16 2021 food journals can help you build healthy habits identify food sensitivities and manage your weight here s
how to get started with food journaling

printable food fitness journal by webmd - May 14 2023

web use this printable food fitness journal or check out the webmd food fitness planner for personalized healthy weight and
fitness recommendations based on your goals and allows you to

15 best fitness journals for 2024 workout nutrition logs - Dec 09 2022

web mar 21 2023 use one of these motivating fitness journals to track your workouts meals sleep water intake and more in
order to stay motivated throughout the year 1 best overall

[i love my food and exercise journal amazon com](#) - Apr 13 2023

web may 31 2014 paperback may 31 2014 this awesome food and exercise journal has two pages per day with plenty of
room for you to record everything you eat and drink at breakfast lunch and dinner along with all of those cheeky snacks in
between as well as room for you to add up all of your daily calories

[amazon com fitness and food journal](#) - Feb 11 2023

web newme fitness journal for women men food workout journal planner log book to track weight loss muscle gain home gym
exercise bodybuilding progress daily nutrition personal health tracker 11 573 400 bought in past month 1312 list 23 99 free
delivery thu sep 7 on 25 of items shipped by amazon small business more

5 best fitness journals sept 2023 bestreviews - Apr 01 2022

web bodyminder workout and exercise journal check price popular choice this exceedingly popular model offers users
supreme fitness tracking at an low price helpful inserts offer insight with included health charts and diagrams 13 weeks of
workout tracking a small food log section included with each daily fitness tracking page

free calorie counter diet exercise journal myfitnesspal com - Feb 28 2022

web a searchable food database of over 300 000 000 items and it s growing every day your own personal food database add
your own foods and recipes at any time and access them from anywhere with an internet connection free mobile apps for
iphone and android so you can log your meals and exercise even when you are on the go support and

exercise and functional foods nutrition journal full text - Oct 07 2022

web jun 5 2006 this article describes various functional foods that have been reported to be effective for improving exercise
performance or health promotion along with the relevant physiological changes that occur during exercise

12 best fitness journals for tracking workouts per trainers - May 02 2022

web dec 16 2022 the best fitness journals per trainers and reviews will help you keep track of your progress motivation workouts nutrition weight loss mood and more

amazon com food and fitness journal - Jun 15 2023

web food and fitness journal a 90 day food exercise and wellness journal daily log for tracking meals nutrition exercise weight loss and habits weight loss planner

food and exercise journal for healthy living amazon com tr - Aug 17 2023

web food and exercise journal for healthy living food journal for weight lose and health 90 day meal and activity tracker activity journal with daily food guide mason charlie amazon com tr kitap

calorie tracker bmr calculator to reach your goals myfitnesspal - Nov 08 2022

web 1 track food fitness fasting tracking calories and macros is easy with our barcode scanner and device integration 2 learn what works personalized nutrition insights reveal what s working so you can make smarter choices 3 change your habits and reach your goals now you have the tools and knowledge to build healthy habits for life

free printable food and exercise journal hello little home - Jul 16 2023

web feb 29 2016 free printable food and exercise journal to keep myself on track i created this free printable food and fitness tracker this printable food and exercise diary has everything you need to keep up with your goals daily food and fitness tracker weekly menu planner goals worksheet cover and divider pages

the 11 best fitness journals according to a fitness coach - Sep 06 2022

web apr 27 2022 when purchasing it s important to keep things like timeframe size trackable metrics and nutrition in mind we looked at fitness journals from top brands and smaller businesses too and evaluated them for size format price and more based on our reviews here are the best fitness journals on the market

the 15 best fitness journals and exercise logs according to health - Jun 03 2022

web jan 7 2022 the 15 best fitness journals to track your health and wellness goals whether you want to lose weight meditate more or follow a healthier diet these thoughtful journals and planners will

frontiers in nutrition sport and exercise nutrition - Jan 10 2023

web sep 12 2023 food chemistry food policy and economics nutrigenomics nutrition methodology nutrition and food science technology nutrition and metabolism nutrition and microbes nutrition and sustainable diets nutrition psychology and brain health nutritional epidemiology nutritional immunology sport and exercise nutrition

food and exercise journal daily food log book food journals food - Mar 12 2023

web food and exercise journal daily food log book food journals food and weight loss journal workout and food journal volume 58 publishing rogue plus amazon com tr kitap

chemistry pradeep 11 free download borrow and streaming - Apr 30 2023

web addeddate 2021 07 20 23 22 41 identifier chemistry pradeep 11 identifier ark ark 13960 t2f88bf5j ocr tesseract 5 0 0 alpha 20201231 10 g1236 ocr autonomous

pradeep chemistry class 11 pdf free download 2021 the yuvas - Sep 04 2023

web dec 13 2020 pradeep publications chemistry class 11 pdf book free download get pradeep class 11 pdf book download the pdf version of the chemistry book for class 11th from our drive link

chem xi 06 01 thermodynamics introduction pradeep - Aug 03 2023

web chemistry class xi chapter thermodynamics topic thermodynamics introducton classroom lecture by shaillee kaushal language english mixed with hindi

pradeep s kl gogia solution chemistry 11th 5 first law of - Mar 30 2023

web pradeeps kl gogia solutions exam preparation chemistry 11th 5 first law of thermodynamics chemical energetics pradeep s kl gogia solution chemistry 11th 5 first law of thermodynamics chemical energetics

thermodynamics class 11 notes pdf handwritten short - Aug 23 2022

web all topics are covered in the class 11 chemistry notes all topics of the chapter thermodynamics according to the class 11 chemistry syllabus detailed explanation of all the topics help students to easily grasp the information and

pdf download pradeep s new course chemistry for class 11 - Mar 18 2022

web pradeep s new course chemistry for class 11 is one of the jewels of the crown about the authors dr s c kheterpal dr s n dhawan contents some basic concepts in chemistry states of matter atomic structure classification of elements and periodicity in properties first law of thermodynamics and chemical energetics

pradeep chemistry class 11 pdf download for free - Oct 05 2023

web november 17 2022 3 22347 pradeep chemistry 11 pdf the pradeep publication chemistry class 11 pdf is an excellent choice for students looking to learn about chemistry it provides an easy way to learn everything from the basics of crystals acids and bases radioactivity chemical bonding theory and reactions

integer type questions from pradeep chemistry hinglish thermodynamics - Oct 25 2022

web integer type questions from pradeep chemistry hinglish thermodynamics for class 11 doubt solutions for maths science cbse ncert iit jee neet class 6 to 12 click type question to get instant video answers solved by doubtnut team ask doubt courses

pradeep chemistry class 11 volume 1 2023 2024 pdf - Sep 23 2022

web explore pradeep chemistry class 11 volume 1 2023 2024 pdf 2024 edition on readyourflow read or download pdf for free enhance your understanding of

[thermodynamics chemistry chapter 6 learn cbse](#) - Apr 18 2022

web jun 9 2022 thermodynamics chemistry chapter 6 important terms and definitions system refers to the portion of universe which is under observation surroundings everything else in the universe except system is called surroundings the universe the system the surroundings

pradeep publications chemistry class 11 12 pdf free download - Nov 25 2022

web jul 20 2020 classification of elements and periodicity in properties first law of thermodynamics and chemical energetics chemical bonding and molecular structure equilibrium 1 equilibrium processes and phase equilibria equilibrium 2 ionic equilibrium in solutions redox reactions principles and processes of extraction of elements

[pradeep chemistry class 11 vol 1 neet and jee arpit classes](#) - Jan 28 2023

web chapter 1 some basic concepts of chemistry chapter 2 states of matter chapter 3 atomic structure chapter 4 classification of elements and periodicity in properties chapter 5 first law of thermodynamics and chemical energetics chapter 6 chemical bonding and molecular structure chapter 7 equilibrium 1 equilibrium processes and phase

additional questions very short answer questions from pradeep - Feb 26 2023

web class 11 chemistry chapter thermodynamics pradeep chemistry additional questions very short answer questions medium english academic year 2023 2024

ncert solutions for class 11 chemistry chapter 6 thermodynamics - Feb 14 2022

web question 1 choose the correct answer a thermodynamic state function is a quantity i used to determine heat changes ii whose value is independent of path iii used to determine pressure volume work iv whose value depends on temperature only answer ii whose value is independent of path question 2

xi 89 thermodynamics part1 youtube - Jul 02 2023

web physics class xi chapter thermodynamics topic zeroeth and first law classroom lecture by pradeep kshetrapal language english mixed with hindi

[class 11 pradeep chemistry pdf download 2024 study rate](#) - Jul 22 2022

web jul 20 2023 topics complete class 11 chemistry buy now on amazon pradeep publication s new course chemistry for class 11 will be an ideal choice for students who are keen on learning chemistry this pdf book published by pradeep publication comes in a set of two volumes

ncert questions and exercises with answers from pradeep chemistry - Jun 01 2023

web ncert questions and exercises with answers from pradeep chemistry hinglish thermodynamics for class 11 doubt solutions for maths science cbse ncert iit jee neet class 6 to 12 click type question to get instant video answers solved by doubtnut team ask doubt courses

complete solutions to advanced problems for - May 20 2022

web advanced problems for competitions questions and complete solutions for chapter thermodynamics of pradeep chemistry hinglish of class 11 additional questions very short answer questions advanced problems for competitions assertion and reaction types

pradeep chemistry class 11 pdf download the pdf for free here - Jun 20 2022

web jun 16 2023 the content of pradeep s new course chemistry class 11 set of 2 volumes has been carefully considered to satisfy all the relevant curriculum requirements chemistry class 11 pdf will assist you in learning about the foundations of chemistry as well as how it connects to everyday life

pradeep s new course chemistry for class 11 set of 2 vol - Dec 27 2022

web pradeep s new course chemistry for class 11 set of 2 vol examination 2020 2021 paperback 1 january 2020 by dr s c kheterpal dr s n dhawan author 4 2 4 2 out of 5 stars 254 ratings

the best powder skis of 2021 powder - Nov 06 2022

web oct 27 2020 buy now d 142 115 124mm r 22m the new boundary pro is an aggressive deep pow solid core mountaineering tool comfortable breaking trail easy on the skin track light enough to sling on the pack when the going gets steep but still substantial enough to blast chunder and float big turns at speed

powder the greatest ski runs on the planet hachette - Jun 13 2023

web nov 11 2014 long descents big verts challenging pistes and stunning scenery powder is the definitive guide to the best and most feared ski runs on the planet whether you re a serious off piste skier or a novice with alpine ambitions this visually stunning guide will undoubtedly inspire the winter olympian in all of us

powder the greatest ski runs on the planet by patrick thorne - Jan 08 2023

web nov 11 2014 powder is the ultimate bucket list for any snowsports enthusiast challenging beginners and experts alike to take on the most breathtaking runs the world has to offer contents include mt st elias alaska whitehorn 2 lake louise canada inferno murren switzerland tortin verbier switzerland aiguille rouge les arcs france klein

powder the top 50 ski runs on the planet lingua i uniport edu - Oct 05 2022

web aug 1 2023 powder the top 50 ski runs on the planet lingua i is available in our book collection an online access to it is set as public so you can get it instantly our digital library hosts in multiple locations allowing you to get the most

7 best powder ski resorts in europe powder skiing ski solutions - Aug 03 2022

web mar 7 2022 1 engelberg switzerland for some of the best powder skiing look no further than engelberg in europe the ski resort has an altitude of 1 050m 3 028m with an impressive snow history for excellent off piste terrain mount titlis is perfectly shady so it holds fresh snow well

powder the top 50 ski runs on the planet lingua i - Apr 30 2022

web powder the top 50 ski runs on the planet lingua i downloaded from retailer bonide com by guest jacoby lane top ski resorts of the world quercus the most impressive thrilling and scenic ski runs from one of the world s leading ski experts long descents big verts challenging pistes and stunning scenery powder is the

powder the greatest ski runs on the planet google books - Jul 14 2023

web may 4 2017 powder the greatest ski runs on the planet patrick thorne google books the most impressive thrilling and scenic ski runs from one of the world s leading ski experts long

powder the top 50 ski runs on the planet calgary public library - Mar 10 2023

web powder the top 50 ski runs on the planet patrick thorne foreword by axel naglich

powder the top 50 ski runs on the planet lingua i uniport edu - Jul 02 2022

web jul 31 2023 powder the top 50 ski runs on the planet lingua i 1 1 downloaded from uniport edu ng on july 31 2023 by guest powder the top 50 ski runs on the planet lingua i this is likewise one of the factors by obtaining the soft documents of this powder the top 50 ski runs on the planet lingua i by online

powder the top 50 ski runs on the planet lingua i pdf - Aug 15 2023

web aug 18 2023 powder the top 50 ski runs on the planet lingua i 1 5 downloaded from uniport edu ng on august 18 2023 by guest powder the top 50 ski runs on the planet lingua i this is likewise one of the factors by obtaining the soft documents of this powder the top 50 ski runs on the planet lingua i by online

powder the top 50 ski runs on the planet lingua i uniport edu - Apr 11 2023

web jun 25 2023 you to see guide powder the top 50 ski runs on the planet lingua i as you such as by searching the title publisher or authors of guide you in point of fact want you can discover them rapidly

pdf powder the top 50 ski runs on the planet lingua i pdf - Sep 04 2022

web may 13 2023 powder the top 50 ski runs on the planet lingua i pdf is available in our book collection an online access to it is set as public so you can download it instantly

powder the greatest ski runs on the planet ciltli kapak - Dec 07 2022

web powder the greatest ski runs on the planet thorne patrick amazon com tr kitap

powder the top 50 ski runs on the planet lingua i pdf pdf - Feb 26 2022

web jun 28 2023 powder the top 50 ski runs on the planet lingua i pdf recognizing the habit ways to get this ebook powder the top 50 ski runs on the planet lingua i pdf is additionally useful you have remained in right site to begin getting this info acquire the powder the top 50 ski runs on the planet lingua i pdf join that we meet the expense

powder the top 50 ski runs on the planet lingua i pdf pdf - Mar 30 2022

web jun 27 2023 what you craving currently this powder the top 50 ski runs on the planet lingua i pdf as one of the most keen sellers here will no question be in the midst of the best options to review powder the top 50 ski runs on the planet lingua i pdf web oct 20 2022 powder the top 50 ski runs on the planet lingua i partner that we manage to

where to find the best powder skiing in the world 57hours - Dec 27 2021

web no one knows where to find the best powder better than acmg ski guide and 57hours ambassador greg hill find out what he considers to be the ten best places for backcountry skiing in the world

powder the greatest ski runs on the planet google books - May 12 2023

web oct 7 2014 the most impressive thrilling and scenic ski runs in the world powder is the definitive guide to the top ski and snowboard locations this comprehensive and visually stunning feast of snow bound derring do showcases the very best and most feared descents in the world

powder the top 50 ski runs on the planet lingua i pdf - Jun 01 2022

web jul 5 2023 reach not discover the declaration powder the top 50 ski runs on the planet lingua i that you are looking for it will unconditionally squander the time however below next you visit this web page it will be therefore unconditionally simple to get as competently as download guide powder the top 50 ski runs on the planet lingua i

powder the greatest ski runs on the planet goodreads - Jan 28 2022

web powder is the definitive guide to the world s top ski and snowboard locations this comprehensive and visually stunning feast of snow bound derring do showcases the very best and most feared descents in the world

powder the greatest ski runs on the planet google books - Feb 09 2023

web oct 7 2014 powder the greatest ski runs on the planet patrick thorne google books powder is the definitive guide to the world s top ski and snowboard locations this comprehensive and visually stunning feast of snow bound derring do showcases the very best and most feared descents in the world