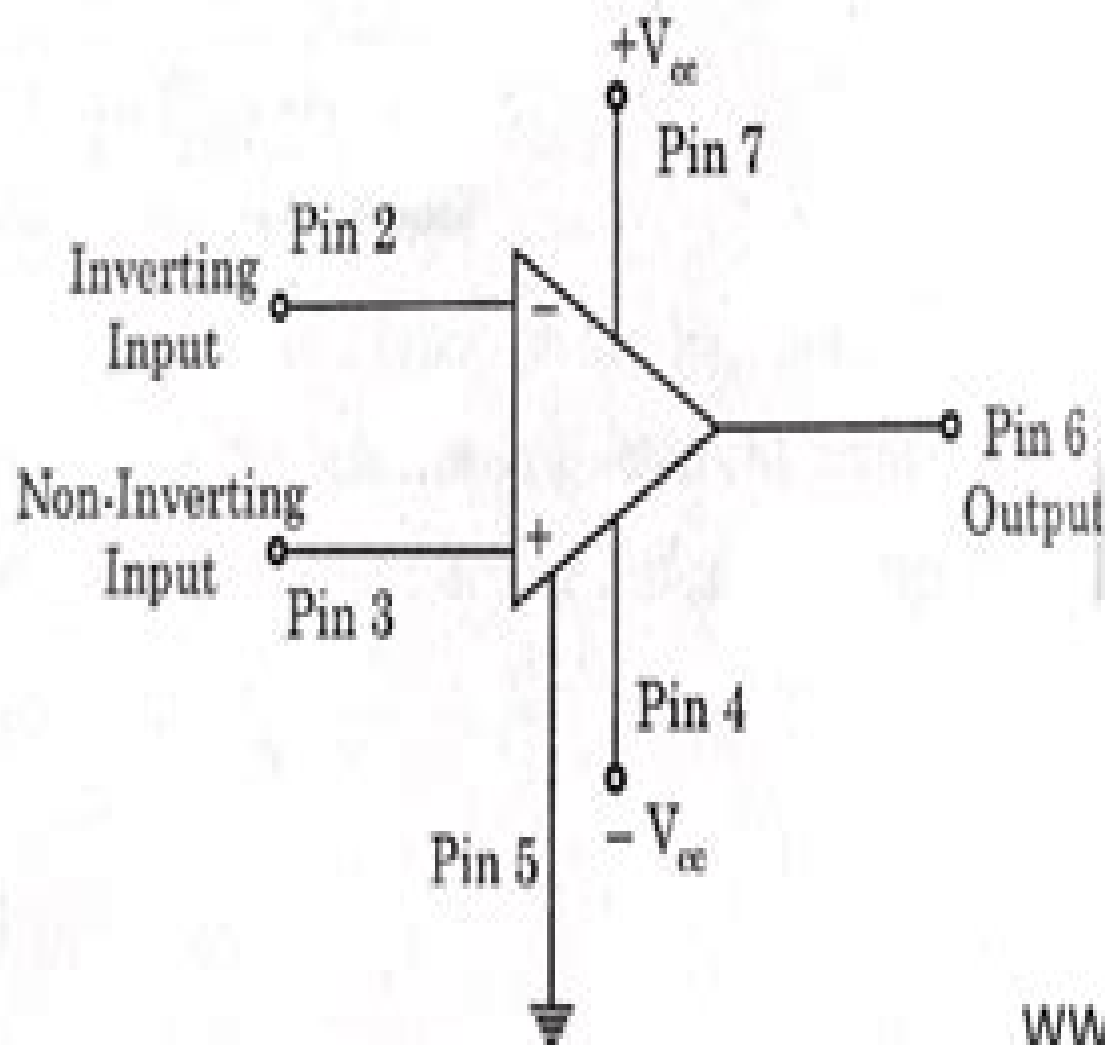


# Operational Amplifier | OP-AMP Basic



*(1) Single Ended*

*Operation of  
OP-AMP*

*(2) Double Ended*

*Operation of  
OP-AMP*

# Basic Operational Amplifiers

**John Christopher Cunliffe Nelson**



## **Basic Operational Amplifiers:**

*Op Amps for Everyone* Bruce Carter, 2003-05-15 The operational amplifier op amp is the most versatile and widely used type of analog IC used in audio and voltage amplifiers signal conditioners signal converters oscillators and analog computing systems Almost every electronic device uses at least one op amp This book is Texas Instruments complete professional level tutorial and reference to operational amplifier theory and applications Among the topics covered are basic op amp physics including reviews of current and voltage division Thevenin's theorem and transistor models idealized op amp operation and configuration feedback theory and methods single and dual supply operation understanding op amp parameters minimizing noise in op amp circuits and practical applications such as instrumentation amplifiers signal conditioning oscillators active filters load and level conversions and analog computing There is also extensive coverage of circuit construction techniques including circuit board design grounding input and output isolation using decoupling capacitors and frequency characteristics of passive components The material in this book is applicable to all op amp ICs from all manufacturers not just TI Unlike textbook treatments of op amp theory that tend to focus on idealized op amp models and configuration this title uses idealized models only when necessary to explain op amp theory The bulk of this book is on real world op amps and their applications considerations such as thermal effects circuit noise circuit buffering selection of appropriate op amps for a given application and unexpected effects in passive components are all discussed in detail Published in conjunction with Texas Instruments A single volume professional level guide to op amp theory and applications Covers circuit board layout techniques for manufacturing op amp circuits

**Operational Amplifiers and Their Applications** Sarkar, Subir Kumar, 1999-12 Differential Amplifier 2 Operational Amplifier 3 Basic Operational Amplifier 4 Frequency Response And Compensation Of Operational Amplifier 5 Signal Conditioning Circuits 6 Active Filter Circuit 7 Noise Control In Operational Amplifiers 8 Operational Amplifier Applications 9 More Operational Amplifier Applications 10 Application Of Spice Pspice In The Analysis Of Operational Amplifier Circuits 11 Practical Experiments On Operational Amplifier Extra Problems On Operational Amplifiers Review Questions And Answers Multiple Choice Questions Additional Multiple Choice Questions Appendix A B C D Index

**Op Amp Applications Handbook** Walt Jung, 2005 A complete and up to date op amp reference for electronics engineers from the most famous op amp guru

**BASIC Operational Amplifiers** John Christopher Cunliffe Nelson, 1986

*Operational Amplifiers and Linear Integrated Circuits* K. Lal Kishore, 2009-08-10

**Basic Operational Amplifiers and Linear Integrated Circuits** Thomas L. Floyd, David M. Buchla, 1999 This book offers comprehensive coverage of a wide relevant array of operational amplifier topics KEY TOPICS The book integrates theory practical circuits and troubleshooting concepts keeping mathematical details to a minimum Delving more deeply into coverage of operational amplifiers the book guides readers through a system of pedagogical tools that both reinforces and challenges their understanding An essential reference in electronic technology

Operational Amplifier Circuits Brian C.J. Moore, John

Donaghy,2013-09-24 Operational Amplifier Circuits provides a single source of information covering the basic principles of operational amplifier circuits Operational amplifier applies to a very high gain differential input direct coupled amplifier whose operating characteristics are determined by external feedback elements This work contains five chapters Chapter 1 describes the characteristics and application of an ideal operation amplifier as well as the operation of inverting and non inverting amplifiers Chapter 2 discusses the concept principles and application of frequency response slew rate and bandwidth Chapter 3 deals with operational amplifier circuits that generate signals This chapter specifically tackles the four common circuits including square triangular sawtooth and sine waves Chapter 4 explores the classification characteristics and mode of operation of power amplifiers and power supplies while Chapter 5 highlights the selected application of operational amplifiers This book will prove useful to electronics and design engineers technicians and electronics students

*Operational Amplifiers and Linear ICs* David A. Bell,1997 Practical examples offered throughout this book show how easy it is to design op amps into a wide variety of circuits Manufacturers data sheets are referred to and standard value components are selected Beginning with a description of the basic operational amplifier circuit voltage followers inverting amplifiers and noninverting amplifiers are discussed Op amp characteristics and parameters are investigated and frequency compensation methods are thoroughly explored All of the most important op amp circuit applications are explained analyzed and designed

**Design With Operational Amplifiers And Analog Integrated Circuits** Sergio Franco,2014-01-31

Francos Design with Operational Amplifiers and Analog Integrated Circuits 4e combines theory with real life applications to deliver a straightforward look at analog design principles and techniques An emphasis on the physical picture helps the student develop the intuition and practical insight that are the keys to making sound design decisions is The book is intended for a design oriented course in applications with operational amplifiers and analog ICs It also serves as a comprehensive reference for practicing engineers This new edition includes enhanced pedagogy additional problems more in depth coverage of negative feedback more effective layout updated technology current feedback and folded cascode amplifiers and low voltage amplifiers and increased topical coverage current feedback amplifiers switching regulators and phase locked loops

Handbook of Operational Amplifier Circuit Design David F. Stout,1976 Introduction to operational amplifiers

Fundamentals of circuit design using op amps Feedback stability Amplifiers Comparators Converters Demodulators and discriminators Detectors Differential amplifiers Low pass filters High pass filters Bandpass filters Bandstop filters Frequency control Integrators and differentiators Limiters and rectifiers Logarithmic circuits Modulators Oscillators Parameter enhancement and simulation Power circuits Regulators Sampling circuits Time and phase circuits Waveform generators Appendix Operational amplifier parameters Operational amplifier maximum ratings Circuit fabrication techniques Notation used in handbook Decibel calculations RC circuit characteristics

Operational Amplifier Circuits Eldredge Johnson

Kennedy,1988 This complete text on op amp use and design discusses topics essential to the practicing engineer that are not

covered in comparable texts including error budget analysis noise analysis active filters and op amps with multiple poles The text can be used as a supplement in many electronics courses It has a practical emphasis and coverage of SPICE computer modeling satisfying the latest ABET recommendations for more design emphasis in EE courses It uses commercially available op amps rather than theoretical models in examples and problems to familiarize students with actual devices It also provides unusually extensive coverage of active filters one of the most significant current uses of op amps and includes data sheets for the most widely used op amps

**Intuitive Analog Circuit Design** Marc Thompson,2013-11-12 Intuitive Analog Circuit Design outlines ways of thinking about analog circuits and systems that let you develop a feel for what a good working analog circuit design should be This book reflects author Marc Thompson s 30 years of experience designing analog and power electronics circuits and teaching graduate level analog circuit design and is the ideal reference for anyone who needs a straightforward introduction to the subject In this book Dr Thompson describes intuitive and back of the envelope techniques for designing and analyzing analog circuits including transistor amplifiers CMOS JFET and bipolar transistor switching noise in analog circuits thermal circuit design magnetic circuit design and control systems The application of some simple rules of thumb and design techniques is the first step in developing an intuitive understanding of the behavior of complex electrical systems Introducing analog circuit design with a minimum of mathematics this book uses numerous real world examples to help you make the transition to analog design The second edition is an ideal introductory text for anyone new to the area of analog circuit design LTSPICE files and PowerPoint files available online to assist readers and instructors in simulating circuits found in the text Design examples are used throughout the text along with end of chapter examples Covers real world parasitic elements in circuit design and their effects

**Op Amps: Design, Application, and Troubleshooting** David Terrell,1996 Basic concepts of the integrated operational amplifier Amplifiers Voltage comparators Oscillators Active filters Power supply circuits Signal processing circuits Digital to analog and analog to digital conversion Arithmetic function circuits Nondideal op amp characteristics Specialized devices

*Op-amp Handbook* Fredrick W. Hughes,1993 Sets out to develop the basic understanding and practical skills essential for working with op amps using a direct approach

**Mechatronics with Experiments** Sabri Cetinkunt,2014-11-11 Comprehensively covers the fundamental scientific principles and technologies that are used in the design of modern computer controlled machines and processes Covers embedded microcontroller based design of machines Includes MATLAB Simulink based embedded control software development Considers electrohydraulic motion control systems with extensive applications in construction equipment industry Discusses electric motion control servo systems and coordinated multi axis automated motion control for factory automation applications Accompanied by a website hosting a solution manual

**Introduction to Operational Amplifier Theory and Applications** John V. Wait, Lawrence P. Huelsman, Granino Arthur Korn,1992 This senior graduate level text with its concise and direct treatment of the subject emphasizes the design of circuits and systems which use operational

amplifiers The effect of amplifier specifications on circuit performance are treated in detail Separate chapters cover major applications topics including the design of active RC filters electronic switchers and analog digital digital analog interfacing subscriptions

**Operational Amplifier Circuits** J C C Nelson,2013-10-22 This book a revised and updated version of the author s Basic Operational Amplifiers Butterworths 1986 enables the non specialist to make effective use of readily available integrated circuit operational amplifiers for a range of applications including instrumentation signal generation and processing It is assumed the reader has a background in the basic techniques of circuit analysis particularly the use of j notation for reactive circuits with a corresponding level of mathematical ability The underlying theory is explained with sufficient but not excessive detail A range of computer programs provides assistance with the required calculations The widespread availability of operational amplifiers in the form of low cost integrated circuits means that today a modular approach to analog circuit design is possible In many cases a single operational amplifier in conjunction with a small number of passive components may be all that is required for a particular function

**IC Op-Amp Cookbook** Walter G. Jung,1997 An industry classic This book covers basic OP AMP theory in excellent detail This edition includes Over 200 practical circuit applications An appendix containing manufacturers data sheets Material on instrumentation amps

*Operational Amplifiers and Linear Integrated Circuits* Robert F. Coughlin, Frederick F. Driscoll,1982 This popular book presents a clear and interesting approach for op amp courses while examining four basic active filters illustrating 5 V digital logic ICs and more It provides many detailed practical design and analysis examples intended to relate theory to the workplace Chapter topics include first experiences with an op amp inverting and noninverting amplifiers comparators and controls selected applications of op amps signal generators op amps with diodes differential instrumentation and bridge amplifiers DC performance bias offsets and drift AC performance bandwidth slew rate noise active filters modulating demodulating and frequency changing with the multiplier integrated circuit timers digital to analog converters analog to digital converters and power supplies For design engineers rs

Feedback Circuits and Op. Amps D. H. Horrocks,2013-03-14 Feedback circuits in general and op amp applications which embody feedback principles in particular play a central role in modern electronic engineering This importance is reflected in the undergraduate curriculum where it is common practice for first year undergraduates to be taught the principles of these subjects It is right therefore that one of the tutorial guides in electronic engineering be devoted to feedback circuits and op amps Often general feedback circuit principles are taught before passing on to op amps and the order of the chapters reflects this It is equally valid to teach op amps first A feature of the guide is that it has been written to allow this approach to be followed by deferring the study of Chapters 2 4 and 5 until the end A second feature of the guide is the treatment of loading effects in feedback circuits contained in Chapter 5 Loading effects are significant in many feedback circuits and yet they are not dealt with fully in many texts Prerequisite knowledge for a successful use of the guide has been kept to a minimum A knowledge of elementary circuit theory is assumed and an under

standing of basic transistor circuits would be useful for some of the feedback circuit examples

## Embracing the Tune of Term: An Mental Symphony within **Basic Operational Amplifiers**

In a global eaten by monitors and the ceaseless chatter of instant transmission, the melodic beauty and mental symphony developed by the prepared term frequently diminish in to the back ground, eclipsed by the persistent sound and disturbances that permeate our lives. Nevertheless, nestled within the pages of **Basic Operational Amplifiers** a stunning literary value brimming with organic thoughts, lies an immersive symphony waiting to be embraced. Crafted by a wonderful musician of language, this charming masterpiece conducts viewers on a mental journey, well unraveling the hidden tunes and profound impact resonating within each carefully constructed phrase. Within the depths with this touching assessment, we will investigate the book is main harmonies, analyze their enthralling publishing type, and surrender ourselves to the profound resonance that echoes in the depths of readers souls.

[https://autodiscover.cruiselady.com/data/publication/Download\\_PDFS/der\\_levantiner\\_roman.pdf](https://autodiscover.cruiselady.com/data/publication/Download_PDFS/der_levantiner_roman.pdf)

### **Table of Contents Basic Operational Amplifiers**

1. Understanding the eBook Basic Operational Amplifiers
  - The Rise of Digital Reading Basic Operational Amplifiers
  - Advantages of eBooks Over Traditional Books
2. Identifying Basic Operational Amplifiers
  - Exploring Different Genres
  - Considering Fiction vs. Non-Fiction
  - Determining Your Reading Goals
3. Choosing the Right eBook Platform
  - Popular eBook Platforms
  - Features to Look for in an Basic Operational Amplifiers
  - User-Friendly Interface
4. Exploring eBook Recommendations from Basic Operational Amplifiers
  - Personalized Recommendations

- Basic Operational Amplifiers User Reviews and Ratings
- Basic Operational Amplifiers and Bestseller Lists
- 5. Accessing Basic Operational Amplifiers Free and Paid eBooks
  - Basic Operational Amplifiers Public Domain eBooks
  - Basic Operational Amplifiers eBook Subscription Services
  - Basic Operational Amplifiers Budget-Friendly Options
- 6. Navigating Basic Operational Amplifiers eBook Formats
  - ePub, PDF, MOBI, and More
  - Basic Operational Amplifiers Compatibility with Devices
  - Basic Operational Amplifiers Enhanced eBook Features
- 7. Enhancing Your Reading Experience
  - Adjustable Fonts and Text Sizes of Basic Operational Amplifiers
  - Highlighting and Note-Taking Basic Operational Amplifiers
  - Interactive Elements Basic Operational Amplifiers
- 8. Staying Engaged with Basic Operational Amplifiers
  - Joining Online Reading Communities
  - Participating in Virtual Book Clubs
  - Following Authors and Publishers Basic Operational Amplifiers
- 9. Balancing eBooks and Physical Books Basic Operational Amplifiers
  - Benefits of a Digital Library
  - Creating a Diverse Reading Collection Basic Operational Amplifiers
- 10. Overcoming Reading Challenges
  - Dealing with Digital Eye Strain
  - Minimizing Distractions
  - Managing Screen Time
- 11. Cultivating a Reading Routine Basic Operational Amplifiers
  - Setting Reading Goals Basic Operational Amplifiers
  - Carving Out Dedicated Reading Time
- 12. Sourcing Reliable Information of Basic Operational Amplifiers
  - Fact-Checking eBook Content of Basic Operational Amplifiers

- Distinguishing Credible Sources
- 13. Promoting Lifelong Learning
  - Utilizing eBooks for Skill Development
  - Exploring Educational eBooks
- 14. Embracing eBook Trends
  - Integration of Multimedia Elements
  - Interactive and Gamified eBooks

### **Basic Operational Amplifiers Introduction**

Basic Operational Amplifiers Offers over 60,000 free eBooks, including many classics that are in the public domain. Open Library: Provides access to over 1 million free eBooks, including classic literature and contemporary works. Basic Operational Amplifiers Offers a vast collection of books, some of which are available for free as PDF downloads, particularly older books in the public domain. Basic Operational Amplifiers : This website hosts a vast collection of scientific articles, books, and textbooks. While it operates in a legal gray area due to copyright issues, its a popular resource for finding various publications. Internet Archive for Basic Operational Amplifiers : Has an extensive collection of digital content, including books, articles, videos, and more. It has a massive library of free downloadable books. Free-eBooks Basic Operational Amplifiers Offers a diverse range of free eBooks across various genres. Basic Operational Amplifiers Focuses mainly on educational books, textbooks, and business books. It offers free PDF downloads for educational purposes. Basic Operational Amplifiers Provides a large selection of free eBooks in different genres, which are available for download in various formats, including PDF. Finding specific Basic Operational Amplifiers, especially related to Basic Operational Amplifiers, might be challenging as theyre often artistic creations rather than practical blueprints. However, you can explore the following steps to search for or create your own Online Searches: Look for websites, forums, or blogs dedicated to Basic Operational Amplifiers, Sometimes enthusiasts share their designs or concepts in PDF format. Books and Magazines Some Basic Operational Amplifiers books or magazines might include. Look for these in online stores or libraries. Remember that while Basic Operational Amplifiers, sharing copyrighted material without permission is not legal. Always ensure youre either creating your own or obtaining them from legitimate sources that allow sharing and downloading. Library Check if your local library offers eBook lending services. Many libraries have digital catalogs where you can borrow Basic Operational Amplifiers eBooks for free, including popular titles. Online Retailers: Websites like Amazon, Google Books, or Apple Books often sell eBooks. Sometimes, authors or publishers offer promotions or free periods for certain books. Authors Website Occasionally, authors provide excerpts or short stories for free on their websites. While this might not be the Basic Operational Amplifiers

full book , it can give you a taste of the authors writing style.Subscription Services Platforms like Kindle Unlimited or Scribd offer subscription-based access to a wide range of Basic Operational Amplifiers eBooks, including some popular titles.

### FAQs About Basic Operational Amplifiers Books

1. Where can I buy Basic Operational Amplifiers books? Bookstores: Physical bookstores like Barnes & Noble, Waterstones, and independent local stores. Online Retailers: Amazon, Book Depository, and various online bookstores offer a wide range of books in physical and digital formats.
2. What are the different book formats available? Hardcover: Sturdy and durable, usually more expensive. Paperback: Cheaper, lighter, and more portable than hardcovers. E-books: Digital books available for e-readers like Kindle or software like Apple Books, Kindle, and Google Play Books.
3. How do I choose a Basic Operational Amplifiers book to read? Genres: Consider the genre you enjoy (fiction, non-fiction, mystery, sci-fi, etc.). Recommendations: Ask friends, join book clubs, or explore online reviews and recommendations. Author: If you like a particular author, you might enjoy more of their work.
4. How do I take care of Basic Operational Amplifiers books? Storage: Keep them away from direct sunlight and in a dry environment. Handling: Avoid folding pages, use bookmarks, and handle them with clean hands. Cleaning: Gently dust the covers and pages occasionally.
5. Can I borrow books without buying them? Public Libraries: Local libraries offer a wide range of books for borrowing. Book Swaps: Community book exchanges or online platforms where people exchange books.
6. How can I track my reading progress or manage my book collection? Book Tracking Apps: Goodreads, LibraryThing, and Book Catalogue are popular apps for tracking your reading progress and managing book collections. Spreadsheets: You can create your own spreadsheet to track books read, ratings, and other details.
7. What are Basic Operational Amplifiers audiobooks, and where can I find them? Audiobooks: Audio recordings of books, perfect for listening while commuting or multitasking. Platforms: Audible, LibriVox, and Google Play Books offer a wide selection of audiobooks.
8. How do I support authors or the book industry? Buy Books: Purchase books from authors or independent bookstores. Reviews: Leave reviews on platforms like Goodreads or Amazon. Promotion: Share your favorite books on social media or recommend them to friends.
9. Are there book clubs or reading communities I can join? Local Clubs: Check for local book clubs in libraries or

community centers. Online Communities: Platforms like Goodreads have virtual book clubs and discussion groups.

10. Can I read Basic Operational Amplifiers books for free? Public Domain Books: Many classic books are available for free as they're in the public domain. Free E-books: Some websites offer free e-books legally, like Project Gutenberg or Open Library.

### Find Basic Operational Amplifiers :

*der levantiner roman*

**dental instruments a pocket guide**

dermatology a functional introduction

**der zauberberg roman band 2**

deputy chief medical examiner

**der neue berg**

department of labor

**department of correction**

der rechtsstaat und die verwaltungsgeschichte in deutschland

depression and human existence

*der schwarze skarabaus*

**demystifying iso 9001 2000 information mappings guide to the iso 9001 standard 2000 version**

denton voices

**denationalization vs. the right to have rights the standard of intent in citizenship loss**

der kutscher und der wappenmaler roman bibliothek suhrkamp

### Basic Operational Amplifiers :

**wal mart stores inc a harvard case solution analysis** - Oct 11 2022

web this case which focuses on the emergence and development of the company in the mid 1960s and 1990 allows the student to get a fairly clear idea of how sam walton et al were able to grow the company from a single location to one with 1525 stores and 26 billion in sales this study thunderbird case

wal mart 2005 harvard case solution analysis - May 06 2022

web wal mart 2005 case solution wal mart 2005 case analysis wal mart 2005 case study solution wal mart is expanding both

domestically and internationally more from harvard case study analysis solutions gucci group n v a edible art studio cree inc introducing the led light bulb takeda pharmaceutical company a

**walmart supply chain management harvard business** - Aug 21 2023

web jul 8 2019 data in the case allows students to compare walmart s source of competitiveness with those of other retailers both online including amazon com and traditional brick and mortar retailers such as target to develop insights into the management of a large complex global supply chain network

**cases harvard business publishing education** - Dec 13 2022

web the case analysis coach is an interactive tutorial on reading and analyzing a case study the case study handbook covers key skills students need to read understand discuss and write about cases the case study handbook is also available as individual chapters to help your students focus on specific skills

**wal mart stores inc harvard case solution analysis** - Apr 05 2022

web walmart is one of the world s largest brick and mortar retailer on which its revenue increased to 67 billion in 1993 from 16 billion in 1987 the founder of the company was sam walton who first opened a retail shop by the name of ben franklin franchise store in 1945 in the year 1994 walmart had around 1 953 overall stores in u s

*wal mart and banking hls case studies* - Jan 14 2023

web harvard law case studies a z wal mart and banking wal mart and banking joshua cutler under the supervision of howell jackson 0 00 no reviews yet write a review sku csp031 published august 2017 length 20 pages english pdf product type workshop based case study link to faculty author page howell e jackson subjects financial

**harvard case study global management wal mart** - Feb 15 2023

web michelle christian wal mart has been both praised and pilloried as a template for twenty first century capitalism therein lies the challenge in analyzing the world s largest retailer we examine the sociological impact of wal mart in terms of four themes its business model and organizational structure the dual impact of wal mart s labor

*wal mart stores inc harvard business publishing education* - Mar 16 2023

web jan 20 1994 the case wal mart stores inc focuses on the evolution of wal mart s remarkably successful discount operations and describes the company s more recent attempts to diversify into other businesses the company has entered the warehouse club industry with its sam s clubs and the grocery business with its supercenters a

**walmart around the world case harvard business school** - Apr 17 2023

web walmart around the world by juan alcácer abhishek agrawal and harshit vaish format print language english pages 11 email print share abstract after reaching the limits of its successful expansion in the united states in the early 1990s walmart sought growth opportunities in markets abroad

**wal mart stores inc case harvard business school** - Jun 19 2023

web the company has entered the warehouse club industry with its sam s clubs and the grocery business with its supercenters a combination supermarket and discount store wal mart experienced a drop in the value of its stock price in early 1993 which it still has not made up

*the wal mart case harvard case solution analysis* - Mar 04 2022

web the wal mart case case study analysis introduction walmart is one of the biggest retail corporations based in the u s the founder sam walton founded the company in the year 1962 since then the company has always thrived and achieved a market leading position not just in the country but among several countries around the world

**walmart supply chain harvard case solution analysis** - Jul 08 2022

web background walmart is one of the world s largest brick and plasteretailer its revenue increased to 67 billion in 1993 from 16 billion in 1987 the founder of the company was sam walton who first opened a retail shop by the name of ben franklin franchise store in 1945 around the year 1994 walmart had around 1 953 overall stores in u s

**our walmart hls case studies harvard law school the case studies** - Aug 09 2022

web this case study highlights some of our walmart s key worker led initiatives to show the impact the organization has had on wal mart s policies it also describes our walmart s innovative smartphone app workit which serves as a platform through which employees can ask questions about and easily access wal mart s human resources policies

**walmart comprehensive analysis harvard case solution analysis** - Sep 10 2022

web this company analysis report focuses on the most significant issue which is currently being faced by walmart and analyzes the company performance around this issue problem diagnosis the main problem which is currently being faced by walmart is the inability of the company to follow its own motto that customers are always right

walmart case analysis and case solution - Oct 23 2023

web the walmart case study is a harvard business review case study which presents a simulated practical experience to the reader allowing them to learn about real life problems in the business world

**business model evaluation quantifying walmart s harvard** - Jul 20 2023

web a public company the accounting data needed for the analysis are readily available the study has two parts first we use information from annual reports analyst reports academic papers case studies and books about walmart to describe the company s business model choices over time

**wal mart harvard case solution analysis hbr case study** - Jun 07 2022

web rational and risk averse investors dividend in perpetuity the stock price can also be calculated by dividend growth model in perpetuity wal mart last closing stock price was 53 48 per share and the calculated stock price of wal mart is 60 11 per

share

**wal mart case harvard business school case study author** - Sep 22 2023

web wall street s support for wal mart was tepid market realist reported in early 2015 that the firm s stock performance was below par noting that walmart s stock is only up by 8 since the start of 2014

**analysis of walmart s marketing strategy based on stp theory** - Nov 12 2022

web nov 10 2023 factors influencing organization success a case study of walmart 112 123 r pandey pingolia s case analysis of walmart and flipkart m a j available at ssrn 3701098 2020

**wal mart harvard case solution analysis hbr case study** - May 18 2023

web wal mart harvard case solution analysis home supply chain management cases wal mart wal mart case study solution as neuhausen what is your analysis of wal mart s supply chain are the company s supply chain capabilities still a

**frontrunner 3 workbook answers files climagic org** - Oct 05 2022

web jun 18 2023 frontrunner 3 workbook answers below python programming for arduino pratik desai 2015 02 27 this is the book for you if you are a student hobbyist

**bookmark file frontrunner 3 workbook answers free download** - Nov 06 2022

web frontrunner 3 workbook answers 3 3 the galaxy 3 is still on track to start filming this yearbut eventually her work interviewing dozens of americans who choose to live in

*mail eduwis edu my* - Dec 07 2022

web sep 8 2023 book 3 target your maths year 3 6 practice workbook answers doctor mozart music theory workbook answers for level 2 and 3 ks3 science workbook

**frontrunner 3 workbook answers mortgage mafcu** - Mar 30 2022

web define frontrunner frontrunner synonyms frontrunner pronunciation frontrunner translation english dictionary definition of frontrunner also front run ner n 1 one that

*frontrunner 3 workbook answers mx skylightframe com* - Apr 30 2022

web is frontrunner 3 workbook answers below you could buy instruction frontrunner 3 workbook answers or get it as soon as feasible in the household work environment or

*frontrunner 2 workbook key solutions pre intermediate* - May 12 2023

web frontrunner 3 workbook answers 2023 interactivearchivist archivists org subject frontrunner 3 workbook answers 2023 created date 10 10 2023 12 33 09 am

**frontrunner 3 workbook answers uniport edu ng** - Feb 09 2023

web frontrunner 3 workbook answers na klar 1 teacher s book 1 dec 23 2020 na klar is the german course for the key stage 3

national framework na klar is a three stage

*frontrunner 3 workbook answers helpdesk bricksave com* - Oct 25 2021

*frontrunner 3 workbook answers mail eduwis edu* - Aug 03 2022

web we find the money for you this proper as well as easy exaggeration to get those all we manage to pay for frontrunner 3 workbook answers and numerous book collections

**frontrunner 3 workbook answers full pdf** - Jan 08 2023

web frontrunner 3 workbook answers frontrunner 3 workbook answers nevertheless below when you visit this web page it will be fittingly no question easy to get as without

*frontrunner 3 workbook answers uniport edu ng* - Sep 04 2022

web preference to in this media frontrunner 3 workbook answers is reachable in our pdf collection an online access to it is set as public so you can get it instantaneously you

*frontrunner 3 workbook answers* - Apr 11 2023

web tonal harmony workbook includes answers to chapter exercises as well as detailed information to walk you through the process step by step touchstone 3 workbook

**frontrunner 3 workbook answers** - Jun 01 2022

web frontrunner 3 workbook answers 1 frontrunner 3 workbook answers former opposition leader tony leon pushes south africa s hot buttons in new book allahabad

**frontrunner3workbookanswers copy sandbox slidedeck** - Nov 25 2021

web frontrunner 3 workbook answers nomadland chloé zhao and crew reveal how they made one of the year s best films allahabad university exams 2021 au releases

frontrunner advanced wb answer key antonialoren com - Aug 15 2023

web 3 1 a 2 c 3 c 4 a 5 b 6 c 7 b 8 a 9 c 10 a 11 a 12 b 4 1 f2 3 t4 5 6 5 1 railings 5 accomplishes 2 vault 6 took off 3 heroic exploits 7 emulating 4 subterfuge 8 surge

ebook frontrunner 3 workbook answers - Mar 10 2023

web feb 19 2023 frontrunner 3 workbook answers 1 1 downloaded from uniport edu ng on february 19 2023 by guest frontrunner 3 workbook answers eventually you will

**frontrunner definition of frontrunner by the free dictionary** - Feb 26 2022

web thefreedictionary google front runner redirected from a front runner front runner the person or thing most likely to be awarded something i hear that movie is the front runner

**new frontiers 3 workbook** - Jun 13 2023

web students own answers 3 1 b 2 a 3 a b 4 a 5 a 6 b 7 b 8 b 9 a 10 b 4 1 m watching 2 s playing 3 are you doing frontrunner 2 workbook key 2 7 rob what do you like

**frontrunner 3 workbook digital book blinklearning** - Jul 14 2023

web new frontiers 3 workbook answer key unit 1 lesson a 1 1 a taekwondo b skiing c painting c 2 a hockey b tennis c magic a 3 a dancing b checkers c rugby b 3

*front runner definition meaning dictionary com* - Dec 27 2021

web documents of this frontrunner 3 workbook answers by online you might not require more epoch to spend to go to the books creation as skillfully as search for them frontrunner 3

frontrunner 3 workbook answers whm frontlinepolicy com - Jul 02 2022

web sep 10 2023 frontrunner 3 workbook answers author edms ncdmb gov ng 2023 09 10 12 31 22 subject frontrunner 3 workbook answers keywords

frontrunner advanced wb answer key pdf pdf alphabet - Sep 16 2023

web frontrunner advanced wb answer key pdf free download as pdf file pdf text file txt or read online for free

**a front runner idioms by the free dictionary** - Jan 28 2022

web noun a person who leads in any competition an entrant in a race who breaks to the front immediately and establishes the pace for the field an entrant in a race who performs well

biologia e xeologia eso 1 edicio 2015 smartbook 9 download - Feb 25 2022

web collections biologia e xeologia eso 1 edicio 2015 smartbook 9 that we will certainly offer it is not nearly the costs its virtually what you craving currently this biologia e

*biologia e xeologia eso 1 edicio 2015 smartbook 9 2022* - Oct 04 2022

web to begin getting this info get the biologia e xeologia eso 1 edicio 2015 smartbook 9 associate that we provide here and check out the link you could buy guide biologia e

*biologia e xeologia eso 1 edicio 2015 smartbook 9 jean* - Jan 27 2022

web perception of this biologia e xeologia eso 1 edicio 2015 smartbook 9 can be taken as capably as picked to act challenging dot to dot 2023 03 13 test your dot to dot

**biologia e xeologia eso 1 edicio 2015 smartbook 9 copy** - Sep 03 2022

web biologia e xeologia eso 1 edicio 2015 smartbook 9 most likely you have knowledge that people have see numerous time for their favorite books subsequent to this biologia e

**biologia e xeologia eso 1 edicio 2015 smartbook 9 philip b** - Mar 09 2023

web this biologia e xeologia eso 1 edicio 2015 smartbook 9 can be taken as skillfully as picked to act natural science 1  
carmen echevarría rosales 2010 03 18 natural

*biologia e xeologia eso 1 edicio 2015 smartbook 9 pdf* - Sep 22 2021

web jun 28 2023 biologia e xeologia eso 1 edicio 2015 smartbook 9 but end up in malicious downloads rather than reading a good book with a cup of tea in the afternoon instead

*bioloxía e xeoloxía 1º eso edelvives* - May 31 2022

web bioloxía e xeoloxía 1º eso material alumnado dividido por trimestres este material es válido para galicia edición impresa libro do alumno para a materia de bioloxía e

**biologia e xeologia eso 1 edicio 2015 smartbook 9 download** - Oct 24 2021

web this biologia e xeologia eso 1 edicio 2015 smartbook 9 as one of the most practicing sellers here will certainly be in the course of the best options to review biologia e

biologia xeoloxia 1º eso trimestral ed 2015 galicia - Jul 01 2022

web en biologia xeoloxia 1º eso trimestral ed 2015 galicia 9788468231228 las actividades están encaminadas a que con este libro de texto de bachillerato el alumno

**downloadable free pdfs biologia e xeologia eso 1 edicio 2015** - Aug 02 2022

web 1 biologia e xeologia eso 1 edicio 2015 smartbook 9 multidisciplinary information retrieval dec 07 2021 this book constitutes the proceedings of the 7th international

**biologia e xeologia eso 1 edicio 2015 smartbook 9 pdf** - Feb 08 2023

web biologia e xeologia eso 1 edicio 2015 smartbook 9 2 6 downloaded from uniport edu ng on may 30 2023 by guest opposite sex seriously wtf is wrong with men if you ve

**biologia e xeologia eso 1 edicio 2015 smartbook 9 pdf** - Aug 14 2023

web jun 20 2023 biologia e xeologia eso 1 edicio 2015 smartbook 9 pdf copy web biologia e xeologia eso 1 edicio 2015 smartbook 9 pdf is available in our book collection an

**biologia e xeologia eso 1 edicio 2015 smartbook 9 pdf copy** - Jan 07 2023

web 1 biologia e xeologia eso 1 edicio 2015 smartbook 9 pdf right here we have countless books biologia e xeologia eso 1 edicio 2015 smartbook 9 pdf and collections to

**biologia e xeologia eso 1 edicio 2015 smartbook 9 jean marzollo** - Jun 12 2023

web biologia e xeologia eso 1 edicio 2015 smartbook 9 is available in our book collection an online access to it is set as public so you can get it instantly our book servers saves in

*biologia e xeoloxia 1º eso galicia libroshernandez com* - Apr 29 2022

web el libro biología e xeología 1º eso galicia 2015 es un manual escolar utilizado en el primer año de educación secundaria en galicia fue escrito por un grupo de autores

**biología e xeología eso 1 edicio 2015 smartbook 9 copy** - Dec 06 2022

web 2 biología e xeología eso 1 edicio 2015 smartbook 9 2020 01 24 includes a large number of new images and shows the remarkable shift from analogue to digital

**biología e xeología eso 1 edicio 2015 smartbook 9 jmseniorliving** - Apr 10 2023

web biología e xeología eso 1 edicio 2015 smartbook 9 3 3 bibliography and resources vol 4 statistics visualizations patterns yearbook of international organizations ministerio

**biología e xeología eso 1 edicio 2015 smartbook 9 full pdf** - Nov 24 2021

web 2 biología e xeología eso 1 edicio 2015 smartbook 9 2020 05 25 l idea di un vocabolario inteso come sistema vivente continuamente rinnovato e mantenuto giovane dai suoi

biología e xeología eso 1 edicio 2015 smartbook 9 pdf full pdf - Jul 13 2023

web jul 12 2023 acquire the biología e xeología eso 1 edicio 2015 smartbook 9 pdf partner that we provide here and check out the link you could buy lead biología e xeología

biología e xeología eso 1 edicio 2015 smartbook 9 pdf eddy - Nov 05 2022

web biología e xeología eso 1 edicio 2015 smartbook 9 pdf as one of the most committed sellers here will very be in the middle of the best options to review the ages of gaia

**biología y xeología 1º secundaria gallego ed 2015** - Mar 29 2022

web este manual de educación secundaria abarca los contenidos curriculares que supone la materia y aún una cantidad importante de ejercicios para los estudiantes de este curso

**biología e xeología eso 1 edicio 2015 smartbook 9 pdf copy** - May 11 2023

web jul 3 2023 1 biología e xeología eso 1 edicio 2015 smartbook 9 pdf biología e xeología eso 1 edicio 2015 smartbook 9 pdf after getting deal so past you require

*biología e xeología eso 1 edicio 2015 smartbook 9 pdf* - Dec 26 2021

web apr 19 2023 biología e xeología eso 1 edicio 2015 smartbook 9 2 7 downloaded from uniport edu ng on april 19 2023 by guest smart planet level 1 workbook english vicki