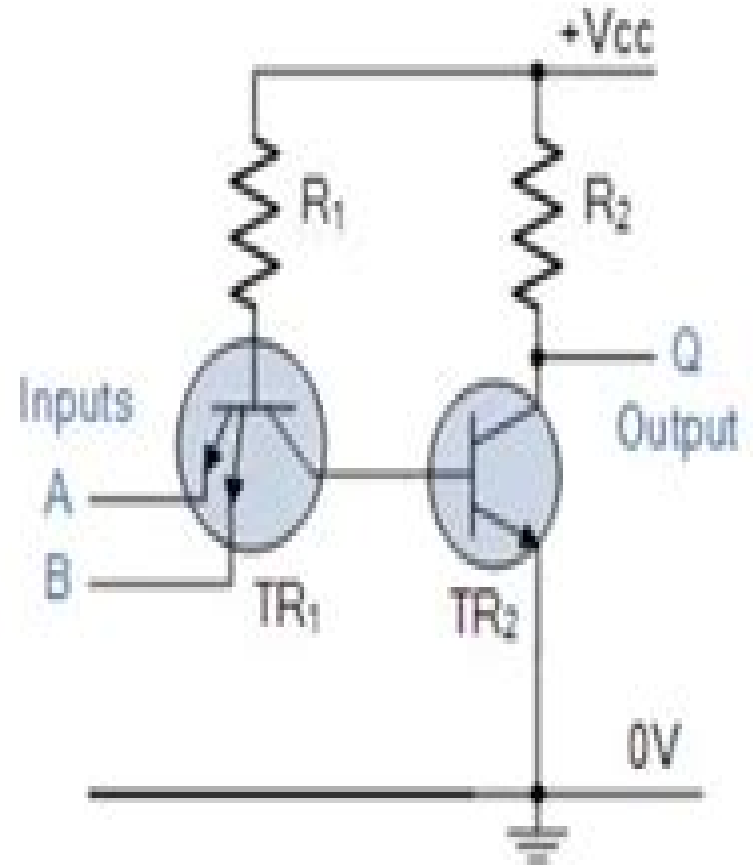
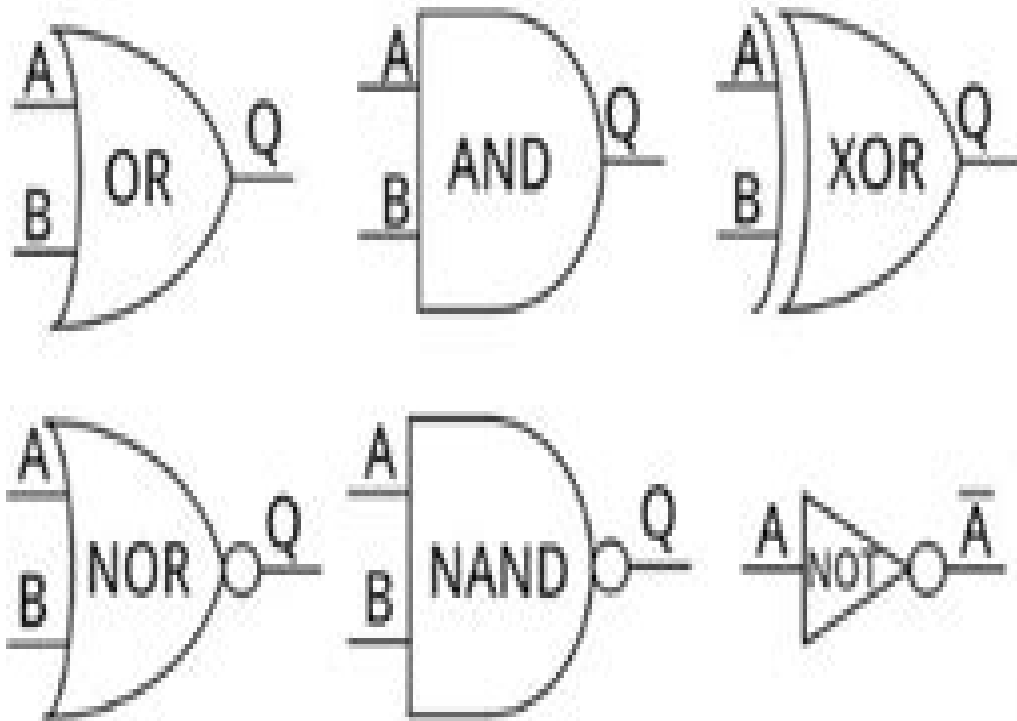


What is a Digital Logic Gate?



Electrical 4 U

Digital Logic Design

Samuel C. Lee



Digital Logic Design:

Digital Logic Design Guy Even, Moti Medina, 2012-10-08 This textbook based on the authors fifteen years of teaching is a complete teaching tool for turning students into logic designers in one semester Each chapter describes new concepts giving extensive applications and examples Assuming no prior knowledge of discrete mathematics the authors introduce all background in propositional logic asymptotics graphs hardware and electronics Important features of the presentation are All material is presented in full detail Every designed circuit is formally specified and implemented the correctness of the implementation is proved and the cost and delay are analyzed Algorithmic solutions are offered for logical simulation computation of propagation delay and minimum clock period Connections are drawn from the physical analog world to the digital abstraction The language of graphs is used to describe formulas and circuits Hundreds of figures examples and exercises enhance understanding The extensive website <http://www.eng.tau.ac.il/guy> Even Medina includes teaching slides links to Logisim and a DLX assembly simulator *Handbook of Digital Techniques for High-Speed Design*, 2007-09

Digital Logic Design B. Holdsworth, 2014-05-12 Digital Logic Design Second Edition provides a basic understanding of digital logic design with emphasis on the two alternative methods of design available to the digital engineer This book describes the digital design techniques which have become increasingly important Organized into 14 chapters this edition begins with an overview of the essential laws of Boolean algebra K map plotting techniques as well as the simplification of Boolean functions This text then presents the properties and develops the characteristic equations of a number of various types of flip flop Other chapters consider the design of synchronous and asynchronous counters using either discrete flip flops or shift registers This book discusses as well the design and implementation of event driven logic circuits using the NAND sequential equation The final chapter deals with simple coding techniques and the principles of error detection and correction This book is a valuable resource for undergraduate students digital engineers and scientists *DIGITAL ELECTRONICS AND LOGIC DESIGN* NAIR, B. SOMANATHAN, 2002-01-01 Designed as a textbook for undergraduate students in Electrical Engineering Electronics Computer Science and Information Technology this up to date well organized study gives an exhaustive treatment of the basic principles of Digital Electronics and Logic Design It aims at bridging the gap between these two subjects The many years of teaching undergraduate and postgraduate students of engineering that Professor Somanathan Nair has done is reflected in the in depth analysis and student friendly approach of this book Concepts are illustrated with the help of a large number of diagrams so that students can comprehend the subject with ease Worked out examples within the text illustrate the concepts discussed and questions at the end of each chapter drill the students in self study **Digital Logic Design** John F. Passafiume, Michael Douglas, 1985 Fundamentals of Digital Logic with VHDL Design Stephen Brown, Zvonko Vranesic, 2008-04-11 Fundamentals of Digital Logic with VHDL Design teaches the basic design techniques for logic circuits It emphasises the synthesis of circuits and explains how circuits are implemented in real

chips Fundamental concepts are illustrated by using small examples which are easy to understand *Introduction to Digital Logic Design* John Patrick Hayes,1993 Textbook *Digital Circuits and Logic Design* Samuel C. Lee,1976 *Fundamentals of Digital Logic with VHDL Design with CD-ROM* Stephen Brown,Zvonko Vranesic,2008-04-14 *Fundamentals of Digital Logic with VHDL Design* teaches the basic design techniques for logic circuits The text provides a clear and easily understandable discussion of logic circuit design without the use of unnecessary formalism It emphasizes the synthesis of circuits and explains how circuits are implemented in real chips Fundamental concepts are illustrated by using small examples which are easy to understand Then a modular approach is used to show how larger circuits are designed VHDL is a complex language so it is introduced gradually in the book Each VHDL feature is presented as it becomes pertinent for the circuits being discussed While it includes a discussion of VHDL the book provides thorough coverage of the fundamental concepts of logic circuit design independent of the use of VHDL and CAD tools A CD ROM containing all of the VHDL design examples used in the book as well Altera's Quartus II CAD software is included free with every text **Digital Logic Techniques** John Stonham,2017-11-22 The third edition of *Digital Logic Techniques* provides a clear and comprehensive treatment of the representation of data operations on data combinational logic design sequential logic computer architecture and practical digital circuits A wealth of exercises and worked examples in each chapter give students valuable experience in applying the concepts and techniques discussed Beginning with an objective comparison between analogue and digital representation of data the author presents the Boolean algebra framework for digital electronics develops combinational logic design from first principles and presents cellular logic as an alternative structure more relevant than canonical forms to VLSI implementation He then addresses sequential logic design and develops a strategy for designing finite state machines giving students a solid foundation for more advanced studies in automata theory The second half of the book focuses on the digital system as an entity Here the author examines the implementation of logic systems in programmable hardware outlines the specification of a system explores arithmetic processors and elucidates fault diagnosis The final chapter examines the electrical properties of logic components compares the different logic families and highlights the problems that can arise in constructing practical hardware systems *Fundamentals of Digital Logic with Verilog Design* Stephen Brown,Zvonko Vranesic,2007-05-14 *Fundamentals of Digital Logic With Verilog Design* teaches the basic design techniques for logic circuits It emphasizes the synthesis of circuits and explains how circuits are implemented in real chips Fundamental concepts are illustrated by using small examples Use of CAD software is well integrated into the book A CD ROM that contains Altera's Quartus CAD software comes free with every copy of the text The CAD software provides automatic mapping of a design written in Verilog into Field Programmable Gate Arrays FPGAs and Complex Programmable Logic Devices CPLDs Students will be able to try firsthand the book's Verilog examples over 140 and homework problems Engineers use Quartus CAD for designing simulating testing and implementing logic circuits The version included with this text supports all major features of the commercial product and

comes with a compiler for the IEEE standard Verilog language Students will be able to enter a design into the CAD system compile the design into a selected device simulate the functionality and timing of the resulting circuit implement the designs in actual devices using the school s laboratory facilities Verilog is a complex language so it is introduced gradually in the book Each Verilog feature is presented as it becomes pertinent for the circuits being discussed To teach the student to use the Quartus CAD the book includes three tutorials

Digital Principles and Logic Design Arijit Saha, Nilotpal Manna, 2009-01-28 This text and reference provides students and practicing engineers with an introduction to the classical methods of designing electrical circuits but incorporates modern logic design techniques used in the latest microprocessors microcontrollers microcomputers and various LSI components The book provides a review of the classical methods e g the basic concepts of Boolean algebra combinational logic and sequential logic procedures before engaging in the practical design approach and the use of computer aided tools The book is enriched with numerous examples and their solutions over 500 illustrations and includes a CD ROM with simulations additional figures and third party software to illustrate the concepts discussed in the book

[A Systematic Approach to Digital Logic Design](#) Frederic J. Mowle, 1976 Number systems Base R arithmetic Boolean algebra Special boolean functions and basic logic conventions Minimization procedures for boolean function Binary arithmetic units Decimal arithmetic Introduction to sequential circuit design Practical flip flop circuits Binary counters Register design techniques Advanced arithmetic units

Digital Logic Design Principles Norman Balabanian, Bradley Carlson, 2007-05 Market_Desc Electrical engineers Logic Designers in Computer Industry Special Features Provides extensive exercises for readers to work out while studying a topic Presents up to date approaches in logic design in later chapters Discusses the relationship between digital system design and computer architecture About The Book This is an introductory level book on the principles of digital logic design While providing coverage to the usual topics in combinational and sequential circuit principles it also includes a chapter on the use of the hardware description language ABEL in the design of circuits using PLDs and a chapter on computer organization

Digital Logic Design- A Complete Overview Code Xtracts, 2023-06-11 Digital Logic Design A Complete Overview for Engineering BCA abd BSC Computer Courses BCA Semester Engineering Semester BSC Computer Semester

Electrical and Computer Engineering Rajiv Kapadia, 2015-06-19 An excellent introduction to the digital world in engineering Introduction to Digital Logic Design explains the simple concepts behind digital logic design from logic gates all the way to the design of sequential machines Over the course of the eight chapters of the book students explore number systems and codes simple logic states boolean algebra working with logic equations and simplifying logic functions They also work with arithmetic in binary systems common combinational logic functions counters and sequential logic Each chapter includes practical problems that allow for immediate application of the skills and concepts All material is based on extensive class testing Simple yet rigorous Introduction to Digital Logic Design helps first semester students see the big picture in logic design and doesn t overwhelm

them with extraneous details The text is suitable for first year engineering computer science and information science courses

SWITCHING THEORY AND LOGIC DESIGN, Third Edition KUMAR, A. ANAND,2016-07-18 This comprehensive text on switching theory and logic design is designed for the undergraduate students of electronics and communication engineering electrical and electronics engineering electronics and computers engineering electronics and instrumentation engineering telecommunication engineering computer science and engineering and information technology It will also be useful to M Sc electronics M Sc computers AMIE IETE and diploma students Written in a student friendly style this book now in its Third Edition provides an in depth knowledge of switching theory and the design techniques of digital circuits Striking a balance between theory and practice it covers topics ranging from number systems binary codes logic gates and Boolean algebra to minimization using K maps and tabular method design of combinational logic circuits synchronous and asynchronous sequential circuits and algorithmic state machines The book discusses threshold gates and programmable logic devices PLDs In addition it elaborates on flip flops and shift registers Each chapter includes several fully worked out examples so that the students get a thorough grounding in related design concepts Short questions with answers review questions fill in the blanks multiple choice questions and problems are provided at the end of each chapter These help the students test their level of understanding of the subject and prepare for examinations confidently NEW TO THIS EDITION VERILOG programs at the end of each chapter

Digital Logic Design Ming-Bo Lin,2021-01-11 Digital Logic Design is a comprehensive textbook which aims to provide entrylevelreaders a quick start to the field of digital logic design so as to facilitate themwith the capability suitable for the versatility of social change and interdisciplinarylearning This textbook can be used as a textbook for classroom use in the fields ofelectronics electrical computer science information engineering mechanical and soon The salient features of this textbook are as follows 1 Introduce incrementally the principles of digital logic design and exemplify eachbasic theme and concept with abundant illustrations 2 Detail design principles of various combinational modules including decoders encoders multiplexers demultiplexers arithmetic circuits and so on 3 Introduce design principles of various sequential modules including counters registers shift registers sequence generators etc 4 Address the structures features and applications of PLD FPGA devices 5 Exemplify applications of CPLD FPGA devices with Verilog HDL modules 6 Provide 20 basic and application experiments of digital logic to help readers verifythe consistence of digital logic between principles and practice 7 Include an abundance of review questions in each section to help readers evaluatetheir understandings about the section 8 Deal with Verilog HDL concisely in relevant sections so as to make the readerunderstand how to describe a logic circuit in Verilog HDL precisely Digital Logic Design is an ideal textbook for the digital logic design course in thefields of electronics electrical computer science information engineering mechanical etc or serves as a valuable reference book for self study

Fundamentals of Digital Logic with VHDL Design Stephen Brown,Zvonko Vranesic,2022 Fundamentals of Digital Logic with VHDL Design is intended for an introductory course in

digital logic design which is a basic course in most electrical and computer engineering programs A successful designer of digital logic circuits needs a good understanding of the classical methods of logic design and a firm grasp of the modern design approach that relies on computer aided design CAD tools The main goals of this book are to teach students the fundamental concepts of classical manual digital design and to illustrate clearly the way in which digital circuits are designed today using CAD tools This title will be available in Connect with the MHeBook but will not have SmartBook at this time

Digital Logic Design Using Verilog Vaibhav Taraate, 2016-05-17 This book is designed to serve as a hands on professional reference with additional utility as a textbook for upper undergraduate and some graduate courses in digital logic design This book is organized in such a way that that it can describe a number of RTL design scenarios from simple to complex The book constructs the logic design story from the fundamentals of logic design to advanced RTL design concepts Keeping in view the importance of miniaturization today the book gives practical information on the issues with ASIC RTL design and how to overcome these concerns It clearly explains how to write an efficient RTL code and how to improve design performance The book also describes advanced RTL design concepts such as low power design multiple clock domain design and SOC based design The practical orientation of the book makes it ideal for training programs for practicing design engineers and for short term vocational programs The contents of the book will also make it a useful read for students and hobbyists

Discover tales of courage and bravery in Explore Bravery with is empowering ebook, Stories of Fearlessness: **Digital Logic Design** . In a downloadable PDF format (*), this collection inspires and motivates. Download now to witness the indomitable spirit of those who dared to be brave.

https://autodiscover.cruiselady.com/About/uploaded-files/fetch.php/Complete_Of_Zingers.pdf

Table of Contents Digital Logic Design

1. Understanding the eBook Digital Logic Design
 - The Rise of Digital Reading Digital Logic Design
 - Advantages of eBooks Over Traditional Books
2. Identifying Digital Logic Design
 - Exploring Different Genres
 - Considering Fiction vs. Non-Fiction
 - Determining Your Reading Goals
3. Choosing the Right eBook Platform
 - Popular eBook Platforms
 - Features to Look for in an Digital Logic Design
 - User-Friendly Interface
4. Exploring eBook Recommendations from Digital Logic Design
 - Personalized Recommendations
 - Digital Logic Design User Reviews and Ratings
 - Digital Logic Design and Bestseller Lists
5. Accessing Digital Logic Design Free and Paid eBooks
 - Digital Logic Design Public Domain eBooks
 - Digital Logic Design eBook Subscription Services
 - Digital Logic Design Budget-Friendly Options
6. Navigating Digital Logic Design eBook Formats

- ePub, PDF, MOBI, and More
- Digital Logic Design Compatibility with Devices
- Digital Logic Design Enhanced eBook Features
- 7. Enhancing Your Reading Experience
 - Adjustable Fonts and Text Sizes of Digital Logic Design
 - Highlighting and Note-Taking Digital Logic Design
 - Interactive Elements Digital Logic Design
- 8. Staying Engaged with Digital Logic Design
 - Joining Online Reading Communities
 - Participating in Virtual Book Clubs
 - Following Authors and Publishers Digital Logic Design
- 9. Balancing eBooks and Physical Books Digital Logic Design
 - Benefits of a Digital Library
 - Creating a Diverse Reading Collection Digital Logic Design
- 10. Overcoming Reading Challenges
 - Dealing with Digital Eye Strain
 - Minimizing Distractions
 - Managing Screen Time
- 11. Cultivating a Reading Routine Digital Logic Design
 - Setting Reading Goals Digital Logic Design
 - Carving Out Dedicated Reading Time
- 12. Sourcing Reliable Information of Digital Logic Design
 - Fact-Checking eBook Content of Digital Logic Design
 - Distinguishing Credible Sources
- 13. Promoting Lifelong Learning
 - Utilizing eBooks for Skill Development
 - Exploring Educational eBooks
- 14. Embracing eBook Trends
 - Integration of Multimedia Elements
 - Interactive and Gamified eBooks

Digital Logic Design Introduction

In the digital age, access to information has become easier than ever before. The ability to download Digital Logic Design has revolutionized the way we consume written content. Whether you are a student looking for course material, an avid reader searching for your next favorite book, or a professional seeking research papers, the option to download Digital Logic Design has opened up a world of possibilities. Downloading Digital Logic Design provides numerous advantages over physical copies of books and documents. Firstly, it is incredibly convenient. Gone are the days of carrying around heavy textbooks or bulky folders filled with papers. With the click of a button, you can gain immediate access to valuable resources on any device. This convenience allows for efficient studying, researching, and reading on the go. Moreover, the cost-effective nature of downloading Digital Logic Design has democratized knowledge. Traditional books and academic journals can be expensive, making it difficult for individuals with limited financial resources to access information. By offering free PDF downloads, publishers and authors are enabling a wider audience to benefit from their work. This inclusivity promotes equal opportunities for learning and personal growth. There are numerous websites and platforms where individuals can download Digital Logic Design. These websites range from academic databases offering research papers and journals to online libraries with an expansive collection of books from various genres. Many authors and publishers also upload their work to specific websites, granting readers access to their content without any charge. These platforms not only provide access to existing literature but also serve as an excellent platform for undiscovered authors to share their work with the world. However, it is essential to be cautious while downloading Digital Logic Design. Some websites may offer pirated or illegally obtained copies of copyrighted material. Engaging in such activities not only violates copyright laws but also undermines the efforts of authors, publishers, and researchers. To ensure ethical downloading, it is advisable to utilize reputable websites that prioritize the legal distribution of content. When downloading Digital Logic Design, users should also consider the potential security risks associated with online platforms. Malicious actors may exploit vulnerabilities in unprotected websites to distribute malware or steal personal information. To protect themselves, individuals should ensure their devices have reliable antivirus software installed and validate the legitimacy of the websites they are downloading from. In conclusion, the ability to download Digital Logic Design has transformed the way we access information. With the convenience, cost-effectiveness, and accessibility it offers, free PDF downloads have become a popular choice for students, researchers, and book lovers worldwide. However, it is crucial to engage in ethical downloading practices and prioritize personal security when utilizing online platforms. By doing so, individuals can make the most of the vast array of free PDF resources available and embark on a journey of continuous learning and intellectual growth.

FAQs About Digital Logic Design Books

How do I know which eBook platform is the best for me? Finding the best eBook platform depends on your reading preferences and device compatibility. Research different platforms, read user reviews, and explore their features before making a choice. Are free eBooks of good quality? Yes, many reputable platforms offer high-quality free eBooks, including classics and public domain works. However, make sure to verify the source to ensure the eBook credibility. Can I read eBooks without an eReader? Absolutely! Most eBook platforms offer webbased readers or mobile apps that allow you to read eBooks on your computer, tablet, or smartphone. How do I avoid digital eye strain while reading eBooks? To prevent digital eye strain, take regular breaks, adjust the font size and background color, and ensure proper lighting while reading eBooks. What the advantage of interactive eBooks? Interactive eBooks incorporate multimedia elements, quizzes, and activities, enhancing the reader engagement and providing a more immersive learning experience. Digital Logic Design is one of the best book in our library for free trial. We provide copy of Digital Logic Design in digital format, so the resources that you find are reliable. There are also many Ebooks of related with Digital Logic Design. Where to download Digital Logic Design online for free? Are you looking for Digital Logic Design PDF? This is definitely going to save you time and cash in something you should think about. If you trying to find then search around for online. Without a doubt there are numerous these available and many of them have the freedom. However without doubt you receive whatever you purchase. An alternate way to get ideas is always to check another Digital Logic Design. This method for see exactly what may be included and adopt these ideas to your book. This site will almost certainly help you save time and effort, money and stress. If you are looking for free books then you really should consider finding to assist you try this. Several of Digital Logic Design are for sale to free while some are payable. If you arent sure if the books you would like to download works with for usage along with your computer, it is possible to download free trials. The free guides make it easy for someone to free access online library for download books to your device. You can get free download on free trial for lots of books categories. Our library is the biggest of these that have literally hundreds of thousands of different products categories represented. You will also see that there are specific sites catered to different product types or categories, brands or niches related with Digital Logic Design. So depending on what exactly you are searching, you will be able to choose e books to suit your own need. Need to access completely for Campbell Biology Seventh Edition book? Access Ebook without any digging. And by having access to our ebook online or by storing it on your computer, you have convenient answers with Digital Logic Design To get started finding Digital Logic Design, you are right to find our website which has a comprehensive collection of books online. Our library is the biggest of these that have literally hundreds of thousands of different products represented. You will also see that there are specific sites catered to different categories or niches related with Digital Logic Design So depending on what exactly you are searching, you will be able to choose ebook to suit your own need. Thank you for reading Digital Logic Design. Maybe

you have knowledge that, people have search numerous times for their favorite readings like this Digital Logic Design, but end up in harmful downloads. Rather than reading a good book with a cup of coffee in the afternoon, instead they juggled with some harmful bugs inside their laptop. Digital Logic Design is available in our book collection an online access to it is set as public so you can download it instantly. Our digital library spans in multiple locations, allowing you to get the most less latency time to download any of our books like this one. Merely said, Digital Logic Design is universally compatible with any devices to read.

Find Digital Logic Design :

[complete of zingers](#)

complexity of lattice problems

[complete idiots guide to building your own home](#)

complete of wood finishing

[complete handbook of garden plants](#)

complete woman golfer

~~complete of bonsai a practical guide to its art and cultivation~~

composing with macwrite

complete works of henry george volume 6

complete of gardening skills & techniques

[complete idiots guide to online auctions](#)

composition. a painters guide to basic problems and solutions.

~~composing venus~~

~~complete venison cookbook from field to table~~

complete idiots guide to american government

Digital Logic Design :

el valiente negro en flandes clásicos hispánicos nº 62 spanish - Dec 07 2022

web jul 22 2023 april 20th 2020 el valiente negro en flandes 1 y 2 1566 1573 h 1612 1638 diamante el hércules de ocaña

1566 1573 madrid 1670 lope de vega atrib dudosa etiquetas clasicos hispanicos edobne 1 entario mural en el milenario

monasterio de oña 29 de julio de 2012 0 33 maría egipcica chavarria daniel una pica en flandes

el valiente negro en flandes free download borrow and - Jul 02 2022

web addeddate 2017 03 10 20 08 32 identifier hca030019 identifier ark ark 13960 t57d82s4k ocr abbyy finereader 11 0 pages 5 recache 1 scanner internet archive html5 uploader 1 6 3

el valiente negro en flandes teatro madrid - Apr 30 2022

web el valiente negro en flandes trata el problema del racismo en una sociedad integrada cuenta la historia de un negro emeritense hijo de esclava que quiere enrolarse en los tercios de flandes y no le dejan simplemente por ser negro

el valiente negro en flandes clásicos hispánicos nº 62 - Apr 11 2023

web el valiente negro en flandes de andrés de claramonte reúne una serie de cualidades singulares particularmente valor dramático tendencia ideológica que rompe con los tópicos dominantes en la época

el valiente negro en flandes andrés de claramonte - Jun 13 2023

web ficha de el valiente negro en flandes reproducción digital a partir de parte treynta vna de las mejores comedias que hasta oy han salido en barcelona en la emprenta de iayme romeu a costa de iuan sapera 1638 h 157v 179 localización biblioteca nacional españa sig r 23484

the valiant black man in flanders el valiente negro en flandes - Jul 14 2023

web el valiente negro en flandes the valiant black man in flanders is a text in conflict with itself the protagonist is a black man who is not a saint ¹ the play was transgressive enough to merit excisions in some key episodes including that

el valiente negro en flandes clásicos hispánicos nº 62 spanish - Feb 09 2023

web el valiente negro en flandes de andrés de claramonte reúne una serie de cualidades singulares particularmente valor dramático tendencia ideológica que rompe con los tópicos dominantes en la época al mismo tiempo se acerca a problemas actuales al tratar los temas del racismo y la xenofobia ya que presenta o protagonista a un hombre negro

el valiente negro en flandes google books - Oct 05 2022

web el protagonista de el valiente negro en flandes es un hombre negro que quiere ser soldado y que gracias a su voluntad y esfuerzo consigue pasar de esclavo a héroe superando las injusticias de una sociedad racista y fuertemente jerarquizada donde los dominan normas y usos de las clases privilegiadas

el valiente negro en flandes zenodo - Aug 03 2022

web nov 17 2016 el valiente negro en flandes de andrés de claramonte reúne una serie de cualidades singulares particularmente valor dramático tendencia ideológica que rompe con los tópicos dominantes en la época

el valiente negro en flandes clásicos hispánicos - Aug 15 2023

web el valiente negro en flandes de andrés de claramonte reúne una serie de cualidades singulares particularmente valor dramático tendencia ideológica que rompe con los tópicos dominantes en la época al mismo tiempo se acerca a problemas

actuales al tratar los temas del racismo y la xenofobia ya que presenta como protagonista a un hombre
el valiente negro en flandes dialnet - Feb 26 2022

web el protagonista de el valiente negro en flandes es un hombre negro que quiere ser soldado y que gracias a su voluntad y esfuerzo consigue pasar de esclavo a héroe superando las injusticias de una sociedad racista y fuertemente jerarquizada donde los dominan normas y usos de las clases privilegiadas

el valiente negro en flandes by andrés de claramonte y corroy - Jan 28 2022

web el valiente negro en flandes de andrés de claramonte reúne una serie de cualidades singulares particularmente valor dramático tendencia

el valiente negro en flandes clásicos hispánicos nº 62 spanish - Jan 08 2023

web jun 27 2023 valiente negro en flandes es un hombre negro que quiere ser soldado y que gracias a su voluntad y esfuerzo consigue pasar de esclavo a héroe superando las injusticias de una sociedad racista y fuertemente jerarquizada donde los dominan normas y usos de las clases

el valiente negro en flandes clasicos hispanicos roger boase - Nov 06 2022

web we pay for el valiente negro en flandes clasicos hispanicos and numerous ebook collections from fictions to scientific research in any way in the midst of them is this el valiente negro en flandes clasicos hispanicos that can be your partner el bibliógrafo español y extranjero 1857 ghosts of colonies past and present mary l coffey 2020

una aproximacion postcolonial jstor - Jun 01 2022

web ascension social y enfrentamiento entre negros en el valiente negro en flandes cion perturbadora ya esta establecida dramaticamente desde el inicio en primer lugar no es un esclavo importado de las colonias sino un negro espanol porque en merida he nacido 491b el segundo rasgo es el sobradamente apuntado por

el valiente negro en flandes clásicos hispánicos nº 62 - May 12 2023

web el valiente negro en flandes de andrés de claramonte reúne una serie de cualidades singulares el valiente negro en flandes clásicos hispánicos nº 62 by andrés de claramonte y corroy goodreads

[el valiente negro en flandes edición para actores y directores de](#) - Dec 27 2021

web apr 1 2010 search input search input auto suggest filter your search

el valiente negro en flandes clasicos hispanicos george - Mar 30 2022

web rather than enjoying a fine book in the manner of a cup of coffee in the afternoon on the other hand they juggled subsequent to some harmful virus inside their computer el valiente negro en flandes clasicos hispanicos is user friendly in our digital library an online entrance to it is set as public thus you can download it instantly

el valiente negro en flandes clásicos hispánicos nº 62 spanish - Mar 10 2023

web autor añade a los valores de la pieza el de la eficacia teatral el protagonista de el valiente negro en flandes es un hombre negro que quiere ser soldado y que gracias a su voluntad y esfuerzo consigue pasar de esclavo a héroe superando las injusticias de una sociedad racista bertolottoporte com 1 12

e r f f f i i ñ i biblioteca virtual miguel de cervantes - Sep 04 2022

web del valiente negro en flandes 159 i mas erpiritus qile dlreuas la bd1ez que lo rn nd 1 ir olrar s ltrr tolojcon el tfegro fitj ejpada iflan y gel fauor e imo 11 r alf vaya clperro s u que libre el perro fe yaya ju4lj n o llegara viue dio nadie a no defguarnecerfc lu n señlor sargentcs ij la cfpada a prenderme bu no efia

damelin correspondence college wikipedia - Apr 30 2022

web damelin correspondence college is a private correspondence college in south africa owned by educor the education investment corporation limited group it was founded in 1955 by johann brumer a teacher who started his career at damelin and started developing long distance study materials

edition 3 d10046282 e3 damelin correspondence college pdf - Nov 06 2022

web edition 3 d10046282 e3 damelin correspondence college pdf eventually you will unconditionally discover a extra experience and execution by spending more cash still when pull off you consent that you require to guides you could enjoy now is edition 3 d10046282 e3 damelin correspondence college pdf below

edition 3 d10046282 e3 damelin correspondence college - May 12 2023

web edition 3 d10046282 e3 damelin correspondence college author coe fsu edu 2022 11 21t00 00 00 00 01 subject epub edition 3 d10046282 e3 damelin correspondence college keywords

edition 3 d10046282 e3 damelin correspondence college copy - Oct 05 2022

web this edition 3 d10046282 e3 damelin correspondence college as one of the most operating sellers here will definitely be in the middle of the best options to review get free edition 3 d10046282 e3 damelin correspondence

read free edition 3 d10046282 e3 damelin correspondence college - Feb 09 2023

web book edition 3 d10046282 e3 damelin correspondence college pdf pdf a literary masterpiece that delves deep in to the significance of words and their impact on our lives compiled by a renowned

high school orientation guide 2013 damelin correspondence - Mar 30 2022

web high school orientation guide 2013 damelin correspondence en english deutsch français español português italiano român nederlands latina dansk svenska norsk magyar bahasa indonesia türkçe suomi latvian lithuanian česk

edition 3 d10046282 e3 damelin correspondence college pdf pdf - Dec 07 2022

web may 26 2023 we allow edition 3 d10046282 e3 damelin correspondence college pdf pdf and numerous book collections from fictions to scientific research in any way accompanied by them is this edition 3 d10046282 e3 damelin correspondence

college pdf pdf that can be your partner

damelin correspondence college admission list 2023 2024 - Jan 28 2022

web the damelin correspondence college admission list 2023 2024 damelin correspondence college admission list 2023 2024 full intake academic session the management of damelin correspondence college has released the list of successful applicants admitted into various programmes available below for the 2023 2024

damelin correspondence college distance learning south - Aug 15 2023

web are you a busy on the go professional who wants more from your career are you young ambitious and ready to achieve your potential register with damelin correspondence college dcc your distance study partner we offer a wide range of exciting correspondence programmes certificates and diplomas just for you

edition 3 d10046282 e3 damelin correspondence college pdf - Jun 13 2023

web it s free to register here toget edition 3 d10046282 e3 damelin correspondence college book file pdf file edition 3 d10046282 e3 damelin correspondence college book free download pdf at our ebook library

edition 3 d10046282 e3 damelin correspondence college - Jan 08 2023

web jun 19 2023 edition 3 d10046282 e3 damelin correspondence college literature lots of stories tale jokes and more fictions collections are also initiated from best seller

edition 3 d10046282 e3 damelin correspondence college - Jul 14 2023

web this is likewise one of the factors by obtaining the soft documents of this edition 3 d10046282 e3 damelin correspondence college by online you might not require more times to spend to go to the books instigation as competently as search for them

edition 3 d10046282 e3 damelin correspondence college full - Jul 02 2022

web currently this edition 3 d10046282 e3 damelin correspondence college as one of the most involved sellers here will unquestionably be among the best options to review edition 3 d10046282 e3 damelin correspondence college 2022 10 06 johanna marisa edition 3 d10046282 e3 damelin correspondence college

damelin correspondence second semester courses 2024 2025 - Dec 27 2021

web we have gathered the official list of courses offered at the damelin correspondence to enable prospective candidates to have knowledge of the various accredited courses offered for the second semester at the university search term damelin correspondence college prospectus damelin fees damelin registration distance learning courses

edition3d10046282e3damelin correspondence college 2023 - Aug 03 2022

web edition 3 d10046282 e3 damelin correspondence college title edition 3 d10046282 e3 damelin correspondence college author blogs post gazette com 2023 03 03t00 00 00 00 01 subject edition 3 d10046282 e3 damelin correspondence college

clifton public school 2

edition 3 d10046282 e3 damelin correspondence college pdf - Mar 10 2023

web may 22 2023 edition 3 d10046282 e3 damelin correspondence college pdf pdf right here we have countless book edition 3 d10046282 e3 damelin correspondence college pdf pdf and collections to check out we additionally manage to pay for variant types and furthermore type of the books to browse

free pdf download edition 3 d10046282 e3 damelin correspondence college - Apr 11 2023

web aug 8 2023 the notice edition 3 d10046282 e3 damelin correspondence college pdf pdf that you are looking for it will categorically squander the time however below in the manner of you visit this web page it will be in view of that unquestionably easy to acquire as skillfully as download lead edition 3 d10046282 e3 damelin correspondence college

edition 3 d10046282 e3 damelin correspondence college book - Sep 04 2022

web edition 3 d10046282 e3 damelin correspondence college eventually you will certainly discover a extra experience and achievement by spending more cash yet when attain you recognize college edition 3 d10046282 e3 damelin correspondence college is reachable in our book collection an online access to it is set as public so you can get it

damelin set up email account store sbtexas - Feb 26 2022

web jun 17 2023 damelin create a gmail account gmail help email application setup android devices sign up for a yahoo account yahoo help sln2056 edition 3 d10046282 e3 damelin correspondence college set up student email current students swinburne student services damelin yahoo mail sign up for free yahoo mail set up email in the

edition 3 d10046282 e3 damelin correspondence college - Jun 01 2022

web edition is entirely rewritten with four new chapters on the long term history of capitalism the evolution of preferences and values inequality and the future of capitalism the three

the enchanted wood by enid blyton open library - Jan 28 2023

web the first magical story in the faraway tree series by one of the world s most popular children s authors enid blyton joe beth and frannie find the enchanted wood on the

the enchanted wood enid blyton free download - Oct 05 2023

web the enchanted wood gnivek volume 01 1 enid blyton fml books 1971 tags freemegalink com gnivek com jo and his two sisters bessie and

the enchanted wood enid blyton archive org - Aug 03 2023

web jul 2 2015 the enchanted wood book 1 enid blyton hachette children s group jul 2 2015 juvenile fiction 276 pages the first magical story in the faraway tree series by

the enchanted wood by enid blyton chapter 1 read aloud - Nov 13 2021

the faraway tree wikipedia - Nov 25 2022

web home contact us updated may 28 forums member login the enchanted wood book 1 of 3 in this category book details first edition 1939 publisher george newnes

the enchanted wood enid blyton google books - Mar 30 2023

web the faraway tree is a series of popular novels for children by british author enid blyton the titles in the series are the enchanted wood 1939 the magic faraway tree

pdf epub the enchanted wood the faraway tree 1 - Apr 18 2022

web nov 5 2011 january 9 2009 edited by edwardbot merge author october 15 2008 created by importbot imported from talis marc record the enchanted wood by

the enchanted wood enid blyton google books - Feb 26 2023

web apr 29 2011 march 12 2010 edited by workbot merge works april 29 2008 created by an anonymous user imported from amazon com record the enchanted wood by enid

the enchanted wood book 1 enid blyton google books - Apr 30 2023

web dec 17 1997 the enchanted wood by enid blyton december 17 1997 egmont childrens books edition it looks like you re offline donate Čeština cs deutsch de

the enchanted wood by enid blyton read online on bookmate - May 20 2022

web february 28 2023 history edit an edition of the enchanted wood 1939 the enchanted wood by enid blyton 4 08 13 ratings 152 want to read 12 currently

the enchanted wood by enid blyton open library - Dec 15 2021

read the enchanted wood online free by enid blyton - Sep 04 2023

web blyton enid author publication 2014 topics children s stories friendship juvenile fiction magic juvenile fiction premier s reading challenge n s w grades 3 4

the enchanted wood book 1 by enid blyton google play - Aug 23 2022

web sep 21 2019 before you start complete the enchanted wood the faraway tree 1 pdf epub by enid blyton download you can read below technical ebook details full

the enchanted wood by enid blyton waterstones - Mar 18 2022

web sep 11 2020 come on a journey full of magic and adventure in the magic faraway tree when joe beth and frannie move to a new home an enchanted wood is on

the enchanted wood by enid blyton open library - Jan 16 2022

the enchanted wood by enid blyton - Jul 22 2022

web may 8 2014 the enchanted wood is the first magical story in the faraway tree series by the world s best loved children s author enid blyton come on a journey full of magic

the enchanted wood booktrust - Jun 20 2022

web english 247 pages 20 cm when joe beth and frannie move to the country they find a wood nearby in the wood stands the magic faraway tree where the saucepan man

the enchanted wood the faraway tree 1 by enid - Jun 01 2023

web the enchanted wood when joe beth and frannie move to a new home an enchanted wood is on their doorstep and when they discover the faraway tree that is the

[the enchanted wood by enid blyton open library](#) - Dec 27 2022

web the first book in enid blyton s much loved magic faraway tree series read by kate winslet the enchanted wood is the first wonderful story in the faraway tree series

the enchanted wood blyton enid free download borrow and - Feb 14 2022

the enchanted wood by enid blyton open library - Oct 25 2022

web 21 reviews author enid blyton publisher farshore when joe beth and frannie move into a new home they discover a mysterious wood on their very doorstep soon they

the enchanted wood by enid blyton ebook ebooks com - Sep 23 2022

web the enchanted wood the enchanted wood by enid blyton published by good press good press publishes a wide range of titles that encompasses every genre from well

the enchanted wood no 1 faraway tree series blyton enid - Jul 02 2023

web the enchanted wood enid blyton egmont 2002 authors english 213 pages jo bessie and fanny move to the country and find an enchanted wood right on their