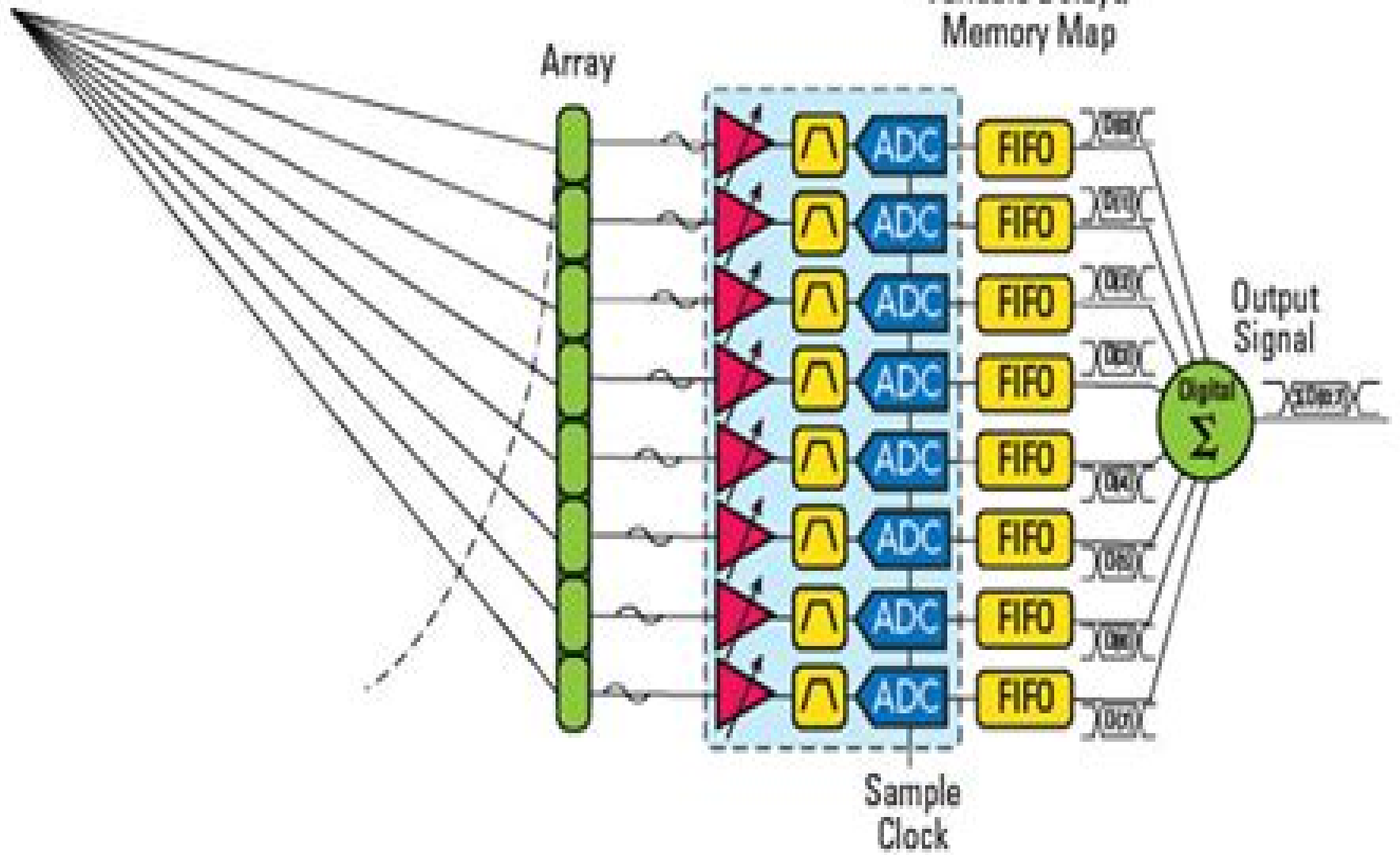


Focal Point



Array Processing Applications To Radar

RM Cervero



Array Processing Applications To Radar:

Array Processing Simon S. Haykin, 1980 Radar Array Processing Simon Haykin, John Litva, Terence J. Shepherd, 2013-03-08 Radar Array Processing presents modern techniques and methods for processing radar signals received by an array of antenna elements With the recent rapid growth of the technology of hardware for digital signal processing it is now possible to apply this to radar signals and thus to enlist the full power of sophisticated computational algorithms Topics covered in detail here include super resolution methods of array signal processing as applied to radar adaptive beam forming for radar and radar imaging This book will be of interest to researchers and students in the radar community and also in related fields such as sonar seismology acoustics and radio astronomy Handbook on Array Processing and Sensor Networks Simon Haykin, K. J. Ray Liu, 2010-02-12 A handbook on recent advancements and the state of the art in array processing and sensor Networks Handbook on Array Processing and Sensor Networks provides readers with a collection of tutorial articles contributed by world renowned experts on recent advancements and the state of the art in array processing and sensor networks Focusing on fundamental principles as well as applications the handbook provides exhaustive coverage of wavelets spatial spectrum estimation MIMO radio propagation robustness issues in sensor array processing wireless communications and sensing in multi path environments using multi antenna transceivers implicit training and array processing for digital communications systems unitary design of radar waveform diversity sets acoustic array processing for speech enhancement acoustic beamforming for hearing aid applications undetermined blind source separation using acoustic arrays array processing in astronomy digital 3D 4D ultrasound imaging technology self localization of sensor networks multi target tracking and classification in collaborative sensor networks via sequential Monte Carlo energy efficient decentralized estimation sensor data fusion with application to multi target tracking distributed algorithms in sensor networks cooperative communications distributed source coding network coding for sensor networks information theoretic studies of wireless networks distributed adaptive learning mechanisms routing for statistical inference in sensor networks spectrum estimation in cognitive radios nonparametric techniques for pedestrian tracking in wireless local area networks signal processing and networking via the theory of global games biochemical transport modeling estimation and detection in realistic environments and security and privacy for sensor networks Handbook on Array Processing and Sensor Networks is the first book of its kind and will appeal to researchers professors and graduate students in array processing sensor networks advanced signal processing and networking **Radar Array Processing** Simon Haykin, John Litva, Terence J. Shepherd, 2012-03-01 Radar Array Processing presents modern techniques and methods for processing radar signals received by an array of antenna elements With the recent rapid growth of the technology of hardware for digital signal processing it is now possible to apply this to radar signals and thus to enlist the full power of sophisticated computational algorithms Topics covered in detail here include super resolution methods of array signal processing as applied to radar adaptive beam forming for radar and radar

imaging This book will be of interest to researchers and students in the radar community and also in related fields such as sonar seismology acoustics and radio astronomy Wireless, Networking, Radar, Sensor Array Processing, and Nonlinear Signal Processing Vijay Madisetti, 2018-09-03 Now available in a three volume set this updated and expanded edition of the bestselling The Digital Signal Processing Handbook continues to provide the engineering community with authoritative coverage of the fundamental and specialized aspects of information bearing signals in digital form Encompassing essential background material technical details standards and software the second edition reflects cutting edge information on signal processing algorithms and protocols related to speech audio multimedia and video processing technology associated with standards ranging from WiMax to MP3 audio low power high performance DSPs color image processing and chips on video Drawing on the experience of leading engineers researchers and scholars the three volume set contains 29 new chapters that address multimedia and Internet technologies tomography radar systems architecture standards and future applications in speech acoustics video radar and telecommunications This volume Wireless Networking Radar Sensor Array Processing and Nonlinear Signal Processing provides complete coverage of the foundations of signal processing related to wireless radar space time coding and mobile communications together with associated applications to networking storage and communications

Signal Processing and Its Applications N.K. Bose, C. Yampudi, Radhakrishna Rao, 1993-09-07 Hardbound This volume of the Handbook of Statistics presents a state of the art exposition of current topics in signal image processing It provides an excellent balance between both theory and applications The collection of chapters deals with topics such as fast computations and transforms in signal processing sampling theorems parameter estimation and signal modeling image and multidimensional signal processing array processing direction of arrival estimation beamforming adaptive algorithms multiscale signal processing and wavelet transforms Other subjects include VLSI implementations in hardware image gathering and video coding spectrum estimation neural net sensor fusion hidden Markov models with applications in speech recognition design of special types of digital filter structures and innovative methods for performance evaluation of such structures as well as more general systems which are encountered in signal processing **Applications in**

Time-Frequency Signal Processing Antonia Papandreou-Suppappola, 2018-10-03 Because most real world signals including speech sonar communication and biological signals are non stationary traditional signal analysis tools such as Fourier transforms are of limited use because they do not provide easily accessible information about the localization of a given frequency component A more suitable approach for those studying non stationary signals is the use of time frequency representations that are functions of both time and frequency Applications in Time Frequency Signal Processing investigates the use of various time frequency representations such as the Wigner distribution and the spectrogram in diverse application areas Other books tend to focus on theoretical development This book differs by highlighting particular applications of time frequency representations and demonstrating how to use them It also provides pseudo code of the computational algorithms

for these representations so that you can apply them to your own specific problems Written by leaders in the field this book offers the opportunity to learn from experts Time Frequency Representation TFR algorithms are simplified enabling you to understand the complex theories behind TFRs and easily implement them The numerous examples and figures review of concepts and extensive references allow for easy learning and application of the various time frequency representations

New Algorithms and Analysis for Source Localization Using Uniform Linear Arrays Joseph August Marks,1993

Digital Signal Processing Handbook on CD-ROM VIJAY MADISETTI,Douglas Williams,1999-02-26 A best seller in its print version this comprehensive CD ROM reference contains unique fully searchable coverage of all major topics in digital signal processing DSP establishing an invaluable time saving resource for the engineering community Its unique and broad scope includes contributions from all DSP specialties including telecommunications computer engineering acoustics seismic data analysis DSP software and hardware image and video processing remote sensing multimedia applications medical technology radar and sonar applications

Scientific and Technical Aerospace Reports ,1994 *The Digital Signal Processing Handbook* VIJAY MADISETTI,1997-12-29 The field of digital signal processing DSP has spurred developments from basic theory of discrete time signals and processing tools to diverse applications in telecommunications speech and acoustics radar and video This volume provides an accessible reference offering theoretical and practical information to the audience of DSP users This immense compilation outlines both introductory and specialized aspects of information bearing signals in digital form creating a resource relevant to the expanding needs of the engineering community It also explores the use of computers and special purpose digital hardware in extracting information or transforming signals in advantageous ways Impacted areas presented include Telecommunications Computer engineering Acoustics Seismic data analysis DSP software and hardware Image and video processing Remote sensing Multimedia applications Medical technology Radar and sonar applications This authoritative collaboration written by the foremost researchers and practitioners in their fields comprehensively presents the range of DSP from theory to application from algorithms to hardware

Radar Data Processing With Applications He You,Xiu Jianjuan,Guan Xin,2016-08-01 Radar Data Processing with Applications Radar Data Processing with Applications He You Xiu Jianjuan Guan Xin Naval Aeronautical and Astronautical University China A summary of thirty years worth of research this book is a systematic introduction to the theory development and latest research results of radar data processing technology Highlights of the book include sections on data pre processing technology track initiation and data association Readers are also introduced to maneuvering target tracking multiple target tracking termination and track management theory In order to improve data analysis the authors have also included group tracking registration algorithms and a performance evaluation of radar data processing Presents both classical theory and development methods of radar data processing Provides state of the art research results including data processing for modern radars and tracking performance evaluation theory Includes coverage of performance evaluation registration

algorithm for radar networks data processing of passive radar pulse Doppler radar and phased array radar Features applications for those engaged in information engineering radar engineering electronic countermeasures infrared techniques sonar techniques and military command Radar Data Processing with Applications is a handy guide for engineers and industry professionals specializing in the development of radar equipment and data processing It is also intended as a reference text for electrical engineering graduate students and researchers specializing in signal processing and radars *Invariant Hypothesis Testing with Sensor Arrays* Sandip Bose,1995 *Real Time Signal Processing VI* Keith Bromley,1983

Wavelet Applications ,1996 **Advances in Radar Techniques** John Clarke, Institution of Electrical Engineers,1985

Radar Handbook, Third Edition Merrill I. Skolnik,2008-02-17 The Industry Standard in Radar Technology Now Updated with All the Advances and Trends of the Past 17 Years Turn to the Third Edition of Radar Handbook for state of the art coverage of the entire field of radar technology_from fundamentals to the newest applications With contributions by 30 world experts this resource examines methods for predicting radar range and explores radar subsystems such as receivers transmitters antennas data processing ECCM and pulse compression This radar handbook also explains the target cross section radar echoes from ground and sea and all radar systems including MTI AMTI pulse doppler and others Using SI units the Third Edition of Radar Handbook features Unsurpassed guidance on radar fundamentals theory and applications Hundreds of examples and illustrations New to this edition new chapters on radar digital signal processing radar in air traffic control ground penetrating radar fighter aircraft radar and civil marine radar 22 thoroughly revised chapters 17 new contributors Inside This Cutting Edge Radar Guide MTI Radar Pulse Doppler Radar Multifunctional Radar Systems for Fighter Aircraft Radar Receivers Automatic Detection Tracking and Sensor Integration Pulse Compression Radar Radar Transmitters Reflector Antennas Phased Array Radar Antennas Radar Cross Section Sea Clutter Ground Echo Space Based Radar Meteorological Radar HF Over the Horizon Radar Ground Penetrating Radar Civil Marine Radar Bistatic Radar Radar Digital Signal Processing And More **IEEE International Symposium on Phased Array Systems and Technology** ,2003 *An Introductory Guide to EC Competition Law and Practice* Valentine Korah,1994 **Canadian Electrical Engineering Journal** ,1980

If you ally dependence such a referred **Array Processing Applications To Radar** books that will find the money for you worth, acquire the very best seller from us currently from several preferred authors. If you want to hilarious books, lots of novels, tale, jokes, and more fictions collections are afterward launched, from best seller to one of the most current released.

You may not be perplexed to enjoy every book collections Array Processing Applications To Radar that we will extremely offer. It is not on the subject of the costs. Its not quite what you obsession currently. This Array Processing Applications To Radar, as one of the most operating sellers here will categorically be in the middle of the best options to review.

https://autodiscover.cruiselady.com/public/publication/Download_PDFS/A_Complicated_Kindness.pdf

Table of Contents Array Processing Applications To Radar

1. Understanding the eBook Array Processing Applications To Radar
 - The Rise of Digital Reading Array Processing Applications To Radar
 - Advantages of eBooks Over Traditional Books
2. Identifying Array Processing Applications To Radar
 - Exploring Different Genres
 - Considering Fiction vs. Non-Fiction
 - Determining Your Reading Goals
3. Choosing the Right eBook Platform
 - Popular eBook Platforms
 - Features to Look for in an Array Processing Applications To Radar
 - User-Friendly Interface
4. Exploring eBook Recommendations from Array Processing Applications To Radar
 - Personalized Recommendations
 - Array Processing Applications To Radar User Reviews and Ratings
 - Array Processing Applications To Radar and Bestseller Lists
5. Accessing Array Processing Applications To Radar Free and Paid eBooks

- Array Processing Applications To Radar Public Domain eBooks
 - Array Processing Applications To Radar eBook Subscription Services
 - Array Processing Applications To Radar Budget-Friendly Options
6. Navigating Array Processing Applications To Radar eBook Formats
 - ePub, PDF, MOBI, and More
 - Array Processing Applications To Radar Compatibility with Devices
 - Array Processing Applications To Radar Enhanced eBook Features
 7. Enhancing Your Reading Experience
 - Adjustable Fonts and Text Sizes of Array Processing Applications To Radar
 - Highlighting and Note-Taking Array Processing Applications To Radar
 - Interactive Elements Array Processing Applications To Radar
 8. Staying Engaged with Array Processing Applications To Radar
 - Joining Online Reading Communities
 - Participating in Virtual Book Clubs
 - Following Authors and Publishers Array Processing Applications To Radar
 9. Balancing eBooks and Physical Books Array Processing Applications To Radar
 - Benefits of a Digital Library
 - Creating a Diverse Reading Collection Array Processing Applications To Radar
 10. Overcoming Reading Challenges
 - Dealing with Digital Eye Strain
 - Minimizing Distractions
 - Managing Screen Time
 11. Cultivating a Reading Routine Array Processing Applications To Radar
 - Setting Reading Goals Array Processing Applications To Radar
 - Carving Out Dedicated Reading Time
 12. Sourcing Reliable Information of Array Processing Applications To Radar
 - Fact-Checking eBook Content of Array Processing Applications To Radar
 - Distinguishing Credible Sources
 13. Promoting Lifelong Learning
 - Utilizing eBooks for Skill Development

- Exploring Educational eBooks
14. Embracing eBook Trends
- Integration of Multimedia Elements
 - Interactive and Gamified eBooks

Array Processing Applications To Radar Introduction

In this digital age, the convenience of accessing information at our fingertips has become a necessity. Whether its research papers, eBooks, or user manuals, PDF files have become the preferred format for sharing and reading documents. However, the cost associated with purchasing PDF files can sometimes be a barrier for many individuals and organizations. Thankfully, there are numerous websites and platforms that allow users to download free PDF files legally. In this article, we will explore some of the best platforms to download free PDFs. One of the most popular platforms to download free PDF files is Project Gutenberg. This online library offers over 60,000 free eBooks that are in the public domain. From classic literature to historical documents, Project Gutenberg provides a wide range of PDF files that can be downloaded and enjoyed on various devices. The website is user-friendly and allows users to search for specific titles or browse through different categories. Another reliable platform for downloading Array Processing Applications To Radar free PDF files is Open Library. With its vast collection of over 1 million eBooks, Open Library has something for every reader. The website offers a seamless experience by providing options to borrow or download PDF files. Users simply need to create a free account to access this treasure trove of knowledge. Open Library also allows users to contribute by uploading and sharing their own PDF files, making it a collaborative platform for book enthusiasts. For those interested in academic resources, there are websites dedicated to providing free PDFs of research papers and scientific articles. One such website is Academia.edu, which allows researchers and scholars to share their work with a global audience. Users can download PDF files of research papers, theses, and dissertations covering a wide range of subjects. Academia.edu also provides a platform for discussions and networking within the academic community. When it comes to downloading Array Processing Applications To Radar free PDF files of magazines, brochures, and catalogs, Issuu is a popular choice. This digital publishing platform hosts a vast collection of publications from around the world. Users can search for specific titles or explore various categories and genres. Issuu offers a seamless reading experience with its user-friendly interface and allows users to download PDF files for offline reading. Apart from dedicated platforms, search engines also play a crucial role in finding free PDF files. Google, for instance, has an advanced search feature that allows users to filter results by file type. By specifying the file type as "PDF," users can find websites that offer free PDF downloads on a specific topic. While downloading Array Processing Applications To Radar free PDF files is convenient, its important to note that copyright laws must be respected. Always ensure that the

PDF files you download are legally available for free. Many authors and publishers voluntarily provide free PDF versions of their work, but its essential to be cautious and verify the authenticity of the source before downloading Array Processing Applications To Radar. In conclusion, the internet offers numerous platforms and websites that allow users to download free PDF files legally. Whether its classic literature, research papers, or magazines, there is something for everyone. The platforms mentioned in this article, such as Project Gutenberg, Open Library, Academia.edu, and Issuu, provide access to a vast collection of PDF files. However, users should always be cautious and verify the legality of the source before downloading Array Processing Applications To Radar any PDF files. With these platforms, the world of PDF downloads is just a click away.

FAQs About Array Processing Applications To Radar Books

How do I know which eBook platform is the best for me? Finding the best eBook platform depends on your reading preferences and device compatibility. Research different platforms, read user reviews, and explore their features before making a choice. Are free eBooks of good quality? Yes, many reputable platforms offer high-quality free eBooks, including classics and public domain works. However, make sure to verify the source to ensure the eBook credibility. Can I read eBooks without an eReader? Absolutely! Most eBook platforms offer web-based readers or mobile apps that allow you to read eBooks on your computer, tablet, or smartphone. How do I avoid digital eye strain while reading eBooks? To prevent digital eye strain, take regular breaks, adjust the font size and background color, and ensure proper lighting while reading eBooks. What the advantage of interactive eBooks? Interactive eBooks incorporate multimedia elements, quizzes, and activities, enhancing the reader engagement and providing a more immersive learning experience. Array Processing Applications To Radar is one of the best book in our library for free trial. We provide copy of Array Processing Applications To Radar in digital format, so the resources that you find are reliable. There are also many Ebooks of related with Array Processing Applications To Radar. Where to download Array Processing Applications To Radar online for free? Are you looking for Array Processing Applications To Radar PDF? This is definitely going to save you time and cash in something you should think about.

Find Array Processing Applications To Radar :

[a complicated kindness](#)

[a dictionary of ulster place names](#)

a day in the life of an illustrator

a different drummer silhouette special edition no. 459

a difficult balance editorial peer review in medicine

a concise guide to clear writing

~~a den a tree a nest is best lithgow palooza readers level 3~~

~~a deadly snare a romantic mystery novel~~

a dynamic systems approach to the development of cognition and action

a concept approach to spanish

~~a consideration of thackeray~~

a disorderly house the brownunruh years in sacramento

a cuddle for claude

~~a day at school activity hello reader~~

a dark adapted eye

Array Processing Applications To Radar :

the package design book ediz multilingue the pack pdf - Sep 08 2022

web mar 24 2023 the package design book ediz multilingue the pack 2 3 downloaded from uniport edu ng on march 24 2023 by guest pentawards que demuestran cómo aplicar la creatividad al mundo de los envases y embalajes gracias a los textos las descripciones de productos y las abundantes imágenes el

the package design book ediz multilingual bags excellent - Feb 13 2023

web may 30 2023 find many great new used options and get the best deals for the package design book ediz multilingual bags excellent condition at the best online prices at ebay free shipping for many products

the package design book ediz multilingue the pack pdf - May 16 2023

web bargains to download and install the package design book ediz multilingue the pack correspondingly simple the package design book ediz multilingue the pack 2022 03 29

read free the package design book ediz multilingue the pack - Apr 15 2023

web the package design book ediz multilingue the pack current multilingualism may 29 2020 this volume approaches contemporary multilingualism as a new linguistic dispensation in urgent need of research led reflective scrutiny the book addresses the emergent global and local patterns of multilingual use and

the package design book ediz multilingue the pack copy - Dec 11 2022

web may 18 2023 the package design book ediz multilingue the pack 1 3 downloaded from uniport edu ng on may 18 2023 by guest the package design book ediz multilingue the pack right here we have countless books the package design book ediz multilingue the pack and collections to check out we additionally meet the expense of

the package design book ediz multilingue the pack download - Aug 19 2023

web the package design book ediz italiana spagnola e pdf copy find many great new used options and get the best deals for the package design book ediz multilingue 2015 hardcover at the best online prices at ebay free shipping for many products the package design book ediz multilingue ebay the package design book hardcover

download solutions the package design book ediz multilingue the pack - Oct 09 2022

web the package design book ediz multilingue the pack love me two timers ediz multilingue mar 25 2022 people lost ediz multilingue feb 21 2022 pioneers of motoring ediz multilingue sep 06 2020 scriptamanent every volunteer has a story to tell ediz multilingue may 03 2020 eternal now ediz multilingue nov 20 2021

the package design book ediz multilingue the pack holger - Mar 14 2023

web the package design book ediz multilingue the pack right here we have countless books the package design book ediz multilingue the pack and collections to check out we additionally come up with the money for variant types and with type of the books to browse the all right book fiction history novel scientific research as competently as

free the package design book ediz multilingue the pack - Jan 12 2023

web the package design book ediz multilingue the pack learning to die ediz multilingue jul 08 2021 close up formalwear s s 2016 ediz multilingue jan 02 2021 the raven ediz multilingue feb 21 2020 roma 1 10 000 ediz multilingue jul 28 2020 veronafiery a century of progress ediz multilingue oct 11 2021 the petition of right

the package design book ediz multilingue the pack pdf - Jun 17 2023

web mar 15 2023 the package design book ediz multilingue the pack pdf this is likewise one of the factors by obtaining the soft documents of this the package design book ediz multilingue the pack pdf by online you might not require more times to spend to go to the books creation as skillfully as search for them

the package design book ediz multilingue 4 book - Mar 02 2022

web the package design book ediz multilingue 4 the package design book ediz italiana spagnola e portoghese feb 16 2023 dutch interior design by leonie hendrikse jeroen stock ediz boards towels and toothbrushes into vibrant items that bring joy to one s daily life simple stylish and affordable hay s furniture and accessories

introduction to package design envato tuts - Aug 07 2022

web she shares design tips and tutorials through digital hart studios s latest venture design like a pro on youtube and tuts this introduction course to package design will give you all the basics you need to get started designing 3d packaging you ll

design the box bottle and gift bag for a moisturizer brand

how to design packaging a packaging series idpdirect com - Apr 03 2022

web sep 29 2020 shopping bags or retail bags rigid boxes or gift boxes e commerce packaging or cardboard mailers whatever you call them they re the workhorses building retail brands with over 30 years of packaging design and manufacturing intl direct packaging has partnered with many of the world s most respected and trusted brands to

the package design book ediz multilingue the pack pdf - Jun 05 2022

web may 10 2023 ediz multilingue charlotte fiell 2015 in this freshly revised edition discover the ultimate architecture and design journal s coverage of a decisive decade replete with post war promise and increasing internationalism trace the star projects and practitioners

complex packaging structural package design english - Jul 06 2022

web jul 16 2010 structural package design is a series of books jam packed with superb 100 structurally accurate scalable packaging templates all designs are ready for immediate use and illustrated with 2 d and 3 d structural drawings and photographs the cd contains the templates in various formats including eps and pdf

the package design book ediz multilingue by julius - Oct 21 2023

web find many great new used options and get the best deals for the package design book ediz multilingue by julius wiedemann 2015 hardcover at the best online prices at ebay free shipping for many products

the package design book ediz multilingue the pack copy - May 04 2022

web jun 11 2023 the package design book ediz multilingue the pack 2 3 downloaded from uniport edu ng on june 11 2023 by guest fashion gallery london s s 2017 ediz multilingue 2016 spring to mind ediz multilingue deyan sudjic 2016 food chocolate design ediz multilingue 2013

the package design book ediz multilingue the pack pdf pdf - Jul 18 2023

web the package design book ediz multilingue the pack pdf pdf black ortax org created date 9 14 2023 8 51 50 pm

downloadable free pdfs the package design book ediz multilingue the pack - Sep 20 2023

web the package design book ediz multilingue the pack the big book of packaging jan 03 2021 intended as a comprehensive resource for designers creative professionals marketers and retailers the big book of packaging contains 384 pages of the most innovative packaging designs from around the world

the package design book ediz multilingue the pack olly - Nov 10 2022

web the package design book ediz multilingue the pack right here we have countless book the package design book ediz multilingue the pack and collections to check out we additionally manage to pay for variant types and with type of the books to browse

lehrbuch der klinischen kinderneuropsychologie gr pdf - Feb 16 2022

web may 14th 2020 kaufen sie das buch lehrbuch der klinischen kinderneuropsychologie grundlagen syndrome diagnostik und intervention vom hogrefe verlag göttingen als

lehrbuch der klinischen kinderneuropsychologie gr - Nov 15 2021

lehrbuch der klinischen kinderpsychologie 2013 - Sep 06 2023

web lehrbuch der klinischen kinderneuropsychologie mit seinem umfassenden Überblick über die neuropsychologie des kindesalters im deutschsprachigen raum schließt das

klinische kinderneuropsychologie kindgerechte behandlung - Oct 27 2022

web die reihe klinische kinderpsychologie beschäftigt sich mit themengebieten der auffälligen entwicklung und chronischen belastungen im kindes und jugendalter die buchreihe

lehrbuch der klinischen kinderneuropsychologie gr book - Jul 24 2022

web oct 19 2015 01 lehrbuch für klinische psychologie psychotherapie 02 neurobiologie des verhaltens 03 lehrbuch arbeitspsychologie 04 lehrbuch evaluation 05

ebook lehrbuch der klinischen kinderneuropsychologie - May 22 2022

web books behind this one merely said the lehrbuch der klinischen kinderneuropsychologie gr is universally compatible with any devices to read soziale

45 psychologiebücher free download borrow and streaming - Jun 22 2022

web 1 ziele und aufgaben der klinischen kinderneuropsychologie 14 2 grundlagen der entwicklungsneuropsychologie 18 2 1 neurobiologie der embryonalentwicklung 18 2 2

lehrbuch der klinischen kinderneuropsychologie gr vaidilutè asisi - Apr 20 2022

web sep 1 2006 die vorliegende untersuchung stellt erstmalig die ergebnisse einer empirischen studie über zuweisungsdiagnosen zuweisungswege und ausgewählte

Κλινική Παιδοψυχολογία clinical child neuropsychology - Dec 29 2022

web lehrbuch der klinischen kinderneuropsychologie gr depression systemische praxis der erziehungs und familienberatung devianz und selbstentwicklung im jugendalter

lehrbuch der klinischen neuropsychologie zvb - Aug 25 2022

web lehrbuch der klinischen kinderneuropsychologie gr diagnostik in der klinischen kinderpsychologie feb 17 2023 die psychologische untersuchung von kindern in den

lehrbuch der klinischen kinderneuropsychologie 2000 - Aug 05 2023

web mit seinem umfassenden Überblick über die neuropsychologie des kindesalters im deutschsprachigen raum schließt das vorliegende lehrbuch eine seit langem

lehrbuch der klinischen kinder neuropsychologie dandelon com - Apr 01 2023

web das lehrbuch gliedert sich in die folgenden teile und einzelkapitel grundlagen methoden diagnostik und therapie störungen spezifischer funktionenl spezifische

[klinische kinderneuropsychologie einführung in den](#) - Jan 30 2023

web feb 1 2012 abstract Το παρόν βιβλίο αποτελεί ένα αξιόλογο επιστημονικό σύγγραμμα με σεβασμό στην πρακτική της Κλινικής

klinische kinderpsychologie hogrefe - Sep 25 2022

web dieses umfassende gut strukturierte und anschauliche lehrbuch wurde aus einer interdisziplinären initiative von psychologen und medizinern entwickelt das buch

[lehrbuch der klinischen kinderneuropsychologie gr](#) - Nov 27 2022

web die inhalte der klinischen kinderneuropsychologie sind umfassend in den büchern von heubrock petermann sowie reynolds fletcher janzen dargelegt

lehrbuch der klinischen kinderneuropsychologie grundlagen - Jan 18 2022

web einzigartige integrierte darstellung der forensischen psychiatrie des erwachsenen wie auch des kindes und jugendalters der rechtsmedizin und rechtspsychologie eröffnet

pdf lehrbuch der klinischen kinderneuropsychologie gr - Dec 17 2021

web lehrbuch der klinischen kinderneuropsychologie gr legasthenie und dyskalkulie in der schule eine verfassungsrechtliche untersuchung unter besonderer

lehrbuch der klinischen kinderneuropsychologie google books - May 02 2023

web ziele und aufgaben der klinischen kinderneuropsychologie grundlagen der entwicklungsneuropsychologie 2 1 neurobiologie der embryonalentwicklung 2 2

lehrbuch der klinischen kinderneuropsychologie hogrefe - Jul 04 2023

web lehrbuch der klinischen kinderneuropsychologie grundlagen syndrome diagnostik und intervention heubrock dietmar petermann franz isbn 9783801711955

[lehrbuch der klinischen neuropsychologie springer](#) - Feb 28 2023

web sep 1 2006 lehrbuch der klinischen kinderneuropsychologie grundlagen syndrome diagnostik und intervention göttingen hogrefe first citation in article google

lehrbuch der klinischen kinderneuropsychologie archive org - Oct 07 2023

web ropsychologie wendet erkenntnisse der allgemeinen und klinischen neuro wissenschaften an wobei die diagnostik und therapie von patienten mit hirnfunktionsstörungen im

ambulante klinische kinderneuropsychologie zeitschrift für - Mar 20 2022

web jul 28 2023 lehrbuch der klinischen kinderneuropsychologie gr is available in our digital library an online access to it is set as public so you can download it instantly our

lehrbuch der klinischen kinderneuropsychologie grundlagen - Jun 03 2023

web das lehrbuch wendet sich an kinderärzte und neurologen an psychologen pädagogen und psychotherapeuten sowie an studierende dieser fachrichtungen es ist ein

mathematics and its branches britannica - Dec 15 2022

mathematics science of structure order and relation that has evolved from counting measuring and describing the shapes of objects mathematics deals with logical reasoning and quantitative calculation since the 17th century it has been an indispensable adjunct to the physical sciences and technology to the extent that it is considered the underlying language of *history of mathematics wikipedia* - Mar 18 2023

the history of mathematics deals with the origin of discoveries in mathematics and the mathematical methods and notation of the past before the modern age and the worldwide spread of knowledge written examples of new mathematical developments have come to light only in a few locales from 3000 bc the mesopotamian states of sumer akkad and assyria followed

mathematics portal britannica - Jan 16 2023

mathematics the science of structure order and relation that has evolved from elemental practices of counting measuring and describing the shapes of objects it deals with logical reasoning and quantitative

math khan academy - Aug 23 2023

the mathematics 1 course often taught in the 9th grade covers linear equations inequalities functions and graphs systems of equations and inequalities extension of the concept of a function exponential models introductory statistics

matematik wikipedi - Jul 22 2023

matematik bilimde olduğu kadar günlük hayatta da bir insanın sık sık karşısına çıkar matematik temeli mantığa dayanan bir sistemdir ve zihni geliştiren bir araç olarak kişiye rasyonel bakış açısı kazandırır kişiye özgür ve ön yargısız bir düşünce ortamı yaratır İnsanın sistemli mantıklı tutarlı

mathematics wikipedia - Sep 24 2023

mathematics is an area of that includes the topics of numbers formulas and related structures shapes and the spaces in which they are contained and quantities and their changes these topics are represented in modern mathematics with the major subdisciplines of 1 algebra 2 geometry 1 3 4 respectively

what is mathematics live science - Feb 17 2023

nov 11 2021 mathematics is the science that deals with the logic of shape quantity and arrangement math is all around us in everything we do it is the building block for everything in our daily lives

wolfram mathworld the web s most extensive mathematics - Jun 21 2023

oct 12 2023 comprehensive encyclopedia of mathematics with 13 000 detailed entries continually updated extensively illustrated and with interactive examples

turkish journal of mathematics tÜbİtak - Apr 19 2023

the turkish journal of mathematics is an international bi monthly peer reviewed open access journal by the scientific and technological research council of turkey tubitak turkish academic network and information center ulakbim turk

mathematics definition history importance britannica - May 20 2023

sep 8 2023 mathematics the science of structure order and relation that has evolved from counting measuring and describing the shapes of objects mathematics has been an indispensable adjunct to the physical sciences and technology and has assumed a similar role in the life sciences