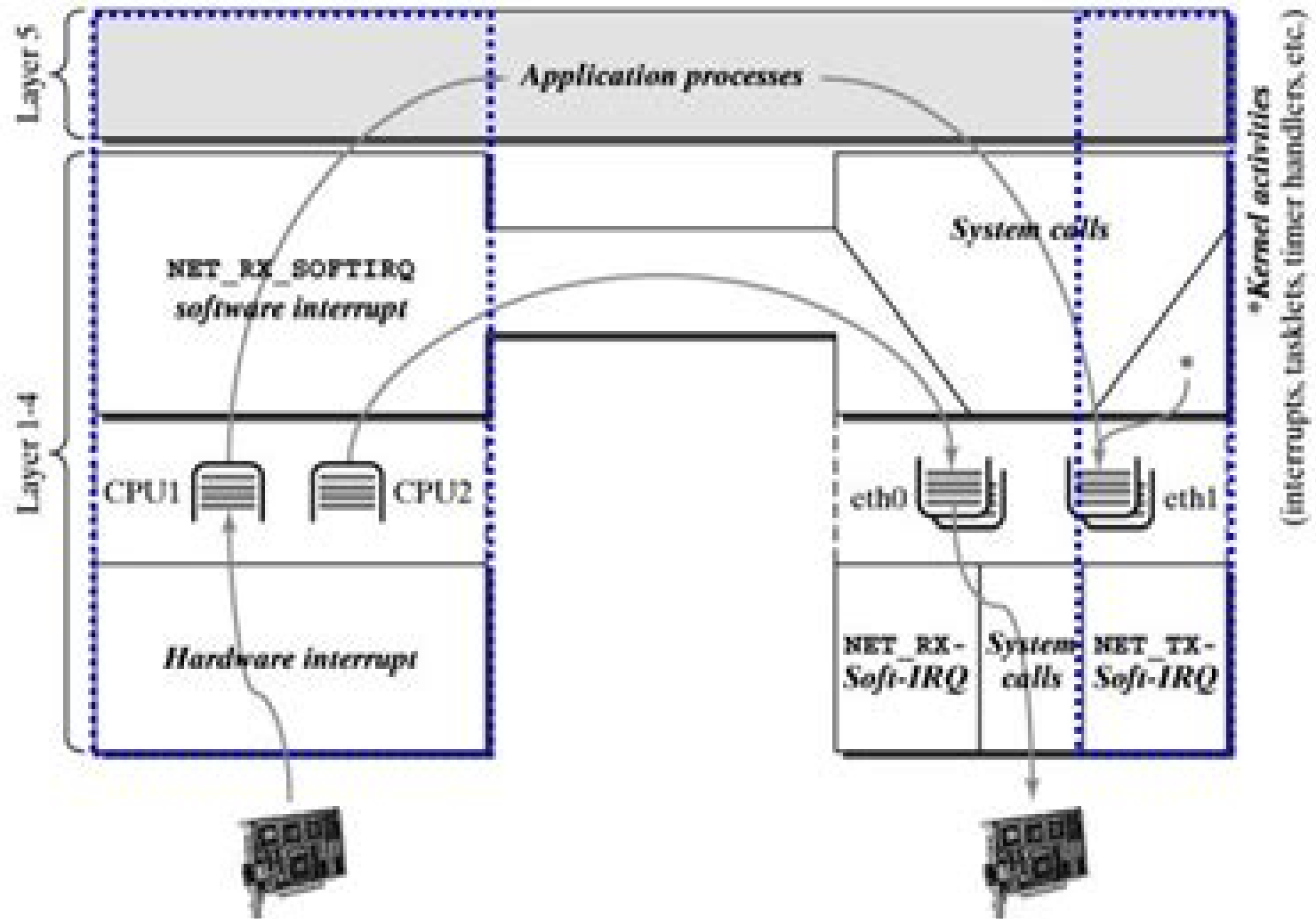


Linux Network Activity



Advanced Linux Networking

Jessica J Manson



Advanced Linux Networking:

Yeah, reviewing a books **Advanced Linux Networking** could increase your close associates listings. This is just one of the solutions for you to be successful. As understood, skill does not suggest that you have wonderful points.

Comprehending as competently as understanding even more than extra will have enough money each success. adjacent to, the pronouncement as capably as perspicacity of this Advanced Linux Networking can be taken as with ease as picked to act.

https://autodiscover.cruiselady.com/public/browse/Download_PDFS/back%20stage%20handbook%20for%20performing%20artists.pdf

Table of Contents Advanced Linux Networking

1. Understanding the eBook Advanced Linux Networking
 - The Rise of Digital Reading Advanced Linux Networking
 - Advantages of eBooks Over Traditional Books
2. Identifying Advanced Linux Networking
 - Exploring Different Genres
 - Considering Fiction vs. Non-Fiction
 - Determining Your Reading Goals
3. Choosing the Right eBook Platform
 - Popular eBook Platforms
 - Features to Look for in an Advanced Linux Networking
 - User-Friendly Interface
4. Exploring eBook Recommendations from Advanced Linux Networking
 - Personalized Recommendations
 - Advanced Linux Networking User Reviews and Ratings
 - Advanced Linux Networking and Bestseller Lists
5. Accessing Advanced Linux Networking Free and Paid eBooks
 - Advanced Linux Networking Public Domain eBooks

- Advanced Linux Networking eBook Subscription Services
- Advanced Linux Networking Budget-Friendly Options
- 6. Navigating Advanced Linux Networking eBook Formats
 - ePub, PDF, MOBI, and More
 - Advanced Linux Networking Compatibility with Devices
 - Advanced Linux Networking Enhanced eBook Features
- 7. Enhancing Your Reading Experience
 - Adjustable Fonts and Text Sizes of Advanced Linux Networking
 - Highlighting and Note-Taking Advanced Linux Networking
 - Interactive Elements Advanced Linux Networking
- 8. Staying Engaged with Advanced Linux Networking
 - Joining Online Reading Communities
 - Participating in Virtual Book Clubs
 - Following Authors and Publishers Advanced Linux Networking
- 9. Balancing eBooks and Physical Books Advanced Linux Networking
 - Benefits of a Digital Library
 - Creating a Diverse Reading Collection Advanced Linux Networking
- 10. Overcoming Reading Challenges
 - Dealing with Digital Eye Strain
 - Minimizing Distractions
 - Managing Screen Time
- 11. Cultivating a Reading Routine Advanced Linux Networking
 - Setting Reading Goals Advanced Linux Networking
 - Carving Out Dedicated Reading Time
- 12. Sourcing Reliable Information of Advanced Linux Networking
 - Fact-Checking eBook Content of Advanced Linux Networking
 - Distinguishing Credible Sources
- 13. Promoting Lifelong Learning
 - Utilizing eBooks for Skill Development
 - Exploring Educational eBooks

14. Embracing eBook Trends

- Integration of Multimedia Elements
- Interactive and Gamified eBooks

Advanced Linux Networking Introduction

Free PDF Books and Manuals for Download: Unlocking Knowledge at Your Fingertips In today's fast-paced digital age, obtaining valuable knowledge has become easier than ever. Thanks to the internet, a vast array of books and manuals are now available for free download in PDF format. Whether you are a student, professional, or simply an avid reader, this treasure trove of downloadable resources offers a wealth of information, conveniently accessible anytime, anywhere. The advent of online libraries and platforms dedicated to sharing knowledge has revolutionized the way we consume information. No longer confined to physical libraries or bookstores, readers can now access an extensive collection of digital books and manuals with just a few clicks. These resources, available in PDF, Microsoft Word, and PowerPoint formats, cater to a wide range of interests, including literature, technology, science, history, and much more. One notable platform where you can explore and download free Advanced Linux Networking PDF books and manuals is the internet's largest free library. Hosted online, this catalog compiles a vast assortment of documents, making it a veritable goldmine of knowledge. With its easy-to-use website interface and customizable PDF generator, this platform offers a user-friendly experience, allowing individuals to effortlessly navigate and access the information they seek. The availability of free PDF books and manuals on this platform demonstrates its commitment to democratizing education and empowering individuals with the tools needed to succeed in their chosen fields. It allows anyone, regardless of their background or financial limitations, to expand their horizons and gain insights from experts in various disciplines. One of the most significant advantages of downloading PDF books and manuals lies in their portability. Unlike physical copies, digital books can be stored and carried on a single device, such as a tablet or smartphone, saving valuable space and weight. This convenience makes it possible for readers to have their entire library at their fingertips, whether they are commuting, traveling, or simply enjoying a lazy afternoon at home. Additionally, digital files are easily searchable, enabling readers to locate specific information within seconds. With a few keystrokes, users can search for keywords, topics, or phrases, making research and finding relevant information a breeze. This efficiency saves time and effort, streamlining the learning process and allowing individuals to focus on extracting the information they need. Furthermore, the availability of free PDF books and manuals fosters a culture of continuous learning. By removing financial barriers, more people can access educational resources and pursue lifelong learning, contributing to personal growth and professional development. This democratization of knowledge promotes intellectual curiosity and empowers individuals to become lifelong learners, promoting progress and innovation in various fields. It is worth noting that while

accessing free Advanced Linux Networking PDF books and manuals is convenient and cost-effective, it is vital to respect copyright laws and intellectual property rights. Platforms offering free downloads often operate within legal boundaries, ensuring that the materials they provide are either in the public domain or authorized for distribution. By adhering to copyright laws, users can enjoy the benefits of free access to knowledge while supporting the authors and publishers who make these resources available. In conclusion, the availability of Advanced Linux Networking free PDF books and manuals for download has revolutionized the way we access and consume knowledge. With just a few clicks, individuals can explore a vast collection of resources across different disciplines, all free of charge. This accessibility empowers individuals to become lifelong learners, contributing to personal growth, professional development, and the advancement of society as a whole. So why not unlock a world of knowledge today? Start exploring the vast sea of free PDF books and manuals waiting to be discovered right at your fingertips.

FAQs About Advanced Linux Networking Books

1. Where can I buy Advanced Linux Networking books? Bookstores: Physical bookstores like Barnes & Noble, Waterstones, and independent local stores. Online Retailers: Amazon, Book Depository, and various online bookstores offer a wide range of books in physical and digital formats.
2. What are the different book formats available? Hardcover: Sturdy and durable, usually more expensive. Paperback: Cheaper, lighter, and more portable than hardcovers. E-books: Digital books available for e-readers like Kindle or software like Apple Books, Kindle, and Google Play Books.
3. How do I choose a Advanced Linux Networking book to read? Genres: Consider the genre you enjoy (fiction, non-fiction, mystery, sci-fi, etc.). Recommendations: Ask friends, join book clubs, or explore online reviews and recommendations. Author: If you like a particular author, you might enjoy more of their work.
4. How do I take care of Advanced Linux Networking books? Storage: Keep them away from direct sunlight and in a dry environment. Handling: Avoid folding pages, use bookmarks, and handle them with clean hands. Cleaning: Gently dust the covers and pages occasionally.
5. Can I borrow books without buying them? Public Libraries: Local libraries offer a wide range of books for borrowing. Book Swaps: Community book exchanges or online platforms where people exchange books.
6. How can I track my reading progress or manage my book collection? Book Tracking Apps: Goodreads, LibraryThing, and Book Catalogue are popular apps for tracking your reading progress and managing book collections. Spreadsheets:

You can create your own spreadsheet to track books read, ratings, and other details.

7. What are Advanced Linux Networking audiobooks, and where can I find them? Audiobooks: Audio recordings of books, perfect for listening while commuting or multitasking. Platforms: Audible, LibriVox, and Google Play Books offer a wide selection of audiobooks.
8. How do I support authors or the book industry? Buy Books: Purchase books from authors or independent bookstores. Reviews: Leave reviews on platforms like Goodreads or Amazon. Promotion: Share your favorite books on social media or recommend them to friends.
9. Are there book clubs or reading communities I can join? Local Clubs: Check for local book clubs in libraries or community centers. Online Communities: Platforms like Goodreads have virtual book clubs and discussion groups.
10. Can I read Advanced Linux Networking books for free? Public Domain Books: Many classic books are available for free as they're in the public domain. Free E-books: Some websites offer free e-books legally, like Project Gutenberg or Open Library.

Find Advanced Linux Networking :

back stage handbook for performing artists

[baboon mothers and infants](#)

baby changes everything

[babies are...](#)

backpacking a comprehensive guide

babys catalogue

back to basics how to learn and enjoy traditional american skills

baby seal all alone

bach partita in b flat major

[babie preschool learning pad / begin with basics](#)

back to shared prosperity the growing inequality of wealth and income in america

baby talk-parent talk understanding your babys body language

baby einstein 365 days of baby einstein

bachelors roost

babys hands

Advanced Linux Networking :

[yamaha fz models fz600 service repair manual pdf](#) - Jun 13 2023

web yamaha fz600 1987 repair service manual download now yamaha fz600 1986 repair service manual download now yamaha fz600 1986 1988 service repair workshop

yamaha fz600 1986 1988 service repair manual - Jan 28 2022

web description yamaha fz600 motorcycle 1986 service workshop manual pdf download this manual presented for you in electronic format you can just print out the page you

yamaha fz600 service repair manual yamaha fz600 pdf - Aug 15 2023

web complete list of yamaha fz600 motorcycle service repair manuals yamaha fz600 1986 1988 workshop service repair manual 2007 2009 yamaha fz 6 service repair

[yamaha fz600 1986 1988 workshop service repair manual issuu](#) - Apr 30 2022

web complete service repair manual for 1986 1988 yamaha fz600 comes with comprehensive details regarding technical data diagrams a complete list of parts and pictures save

yamaha fz 600 manuals manualslib - Jul 14 2023

web manuals and user guides for yamaha fz 600 we have 1 yamaha fz 600 manual available for free pdf download owners workshop manual yamaha fz 600 owners workshop

[yamaha fz600 repair manuals exhaust engine body](#) - Sep 04 2022

web jul 14 2018 read 2008 yamaha fz600 fzs6xl service repair manual by 163215 on issuu and browse thousands of other publications on our platform start here

yamaha fz600 service manual 1986 1987 1988 issuu - Feb 26 2022

web this repair manual for yamaha fz600 1988 was designed as a helpful reference for maintaining and repairing your vehicle or engine each repair manual covers topics that

[yamaha fz600 full service repair manual](#) - Jun 01 2022

web yamaha fz600 1986 1987 1988 workshop repair service manual this professional technical manual contains service maintenance and troubleshooting information for

2008 yamaha fz600 fzs6xl service repair manual issuu - Aug 03 2022

web complete list of yamaha fz600 motorcycle service repair manuals yamaha fz600 1986 1988 workshop service repair manual 2007 2009 yamaha fz 6 service repair

yamaha fz600 1988 repair service manual manuals online - Nov 25 2021

web 2 days ago the newly designed sound system employs a radiating structure that replicates the depth and fullness of

grand piano sound speakers near the top of the unit employ a

yamaha fz 600 workshop manuals service and repair tmb - May 12 2023

web aug 18 2023 this haynes manual for the yamaha fj600 fz600 xj600 and yx600 radian motorcycles describes with photos and detailed step by step instructions

yamaha to release avantgrand nu1xa hybrid piano - Aug 23 2021

yamaha fz600 service repair manuals on tradebit - Oct 05 2022

web motorcycle fuel systems techbook repair manual by haynes manuals format paperback with a haynes manual you can do it yourself from simple maintenance to

1986 1988 yamaha fz600 fz 600 radian service manual - Feb 09 2023

web 1986 to 1988 yamaha fz600 fz 600 service repair workshop manual provided in pdf form in english language includes wiring diagram total of 209 pages

1986 yamaha fz600 service repair maintenance manual - Dec 27 2021

web view and download yamaha fazer fzs600 owner s manual online fazer 1999 fazer fzs600 motorcycle pdf manual download also for fazer fzs600sp

yamaha fz600 service repair manual yamaha fz600 pdf - Jul 02 2022

web jul 4 2020 heydownloads yamaha fz600 1986 1987 1988 workshop service repair manual download this is the complete official full factory service repair manual for

yamaha fz600 1986 1988 service repair manual bitmanual - Dec 07 2022

web this manual contains fully detailed step by step repair procedures with hundreds of high quality photos and illustrations to guide you through any repair maintenance overhaul

yamaha fzs 600 service manual pdf download manualslib - Apr 11 2023

web view and download yamaha fzs 600 service manual online fzs 600 motorcycle pdf manual download also for fzs 600 w d *yamaha fz600 motorcycle 1986 service workshop manual pdf* - Oct 25 2021

yamaha fz600 1986 1988 workshop repair service manual - Mar 30 2022

web this manual covers 1986 yamaha fz600 motorcycle service manual the procedures in this manual are organized in a step by step format the information has been compiled

yamaha 1987 fz600 manuals manualslib - Mar 10 2023

web yamaha 1987 fz600 manuals manuals and user guides for yamaha 1987 fz600 we have 1 yamaha 1987 fz600 manual

available for free pdf download owners

[yamaha fzs600 p service manual pdf download](#) - Jan 08 2023

web view and download yamaha fzs600 p service manual online fzs600 p motorcycle pdf manual download

[yamaha fz600 full service repair manual](#) - Nov 06 2022

web tradebit merchants are proud to offer motorcycle service repair manuals for your yamaha fz600 download your manual now complete list of yamaha fz600 motorcycle

yamaha fazer fzs600 owner s manual pdf download - Sep 23 2021

cctv footage of gunmen s car exploding from ecuador not s - Oct 24 2021

web mitten in afrika springer sie ist erst 23 jahre alt als sie beschließt nach einer drei wöchigen urlaubsreise durch südafrika für mindestens ein jahr dort zu bleiben am

mitten türkçe çeviri örnekler almanca reverso context - Dec 26 2021

web 2 days ago wed september 13 2023 4 55 am edt 2 min read 0 social media users in south africa have shared a security video of a group of gunmen who tried to flee when

mitten in afrika - Sep 22 2021

mitten in türkisch Übersetzung deutsch beispiele reverso - Feb 25 2022

web arbeite mitten in allem und mit jedem her şeyin ortasında herkesle birlikte çalışın nur eine person verblieb mitten auf der straße ve yolun ortasında sadece bir çehre kaldı

[mitten in afrika ackermann ulla 9783455093834 abebooks](#) - Nov 05 2022

web 6 Übersetzungen für das wort mitten vom deutschen ins türkische startseite Übersetzer und dolmetscher suche top wörter wortvorschlag impressum datenschutz deutsch

ulla ackermann wikipedia - Aug 14 2023

web mitten in afrika unveiling the power of verbal beauty an emotional sojourn through mitten in afrika in a global inundated with monitors and the cacophony of fast

[do you know how to say mitten in afrikaans indifferent](#) - Jan 27 2022

web deutsch tuerkisch net mitten in auf türkisch übersetzen mitten in deutsch türkische übersetzung mitten in in türkisch *mitten in afrika hardcover 1 january 2003 amazon in* - Feb 08 2023

web mitten in afrika ackermann ulla on amazon com au free shipping on eligible orders mitten in afrika

[rhythmical mitten in afrika von und mit christoph studer](#) - Jun 12 2023

web hier siehst du alle 54 länder von afrika auf einen blick Ägypten algerien angola Äquatorialguinea Äthiopien benin
botswana burkina faso burundi demokratische

mitten in afrika by ulla ackermann goodreads - Oct 04 2022

web what did you think 10 collected

mittelafrika wikipedia - Mar 09 2023

web amazon in buy mitten in afrika book online at best prices in india on amazon in read mitten in afrika book reviews author
details and more at amazon in free delivery on

mitten in afrikaans translate com - May 31 2022

web deutsch tuerkisch net mitten auf türkisch übersetzen mitten deutsch türkische übersetzung mitten in türkisch

mitten in afrika 2023 - Apr 29 2022

web Übersetzung im kontext von mitten in in deutsch türkisch von reverso context mitten in der stadt mich mitten in der
nacht ist mitten in der nacht mitten in der wüste sie

mitten in afrikaans english afrikaans dictionary glosbe - Jul 01 2022

web mitten in afrika philippa wiking 1960 magmatism in extensional structural settings a b kampunzu 2012 12 06 the african
continent is unique in that it has escaped widespread

mitten auf türkisch übersetzen deutsch tuerkisch net wörterbuch - Mar 29 2022

web if you want to know how to say mitten in afrikaans you will find the translation here we hope this will help you to
understand afrikaans better here is the translation and the

mitten in afrika zu hause zwischen paradies und - Jan 07 2023

web abebooks com mitten in afrika 9783455093834 by ackermann ulla and a great selection of similar new used and
collectible books available now at great prices

mitten in afrika ackermann ulla amazon com au - Dec 06 2022

web feb 11 2003 read reviews from the world s largest community for readers undefined

mitten in südafrika trakt - Aug 02 2022

web mitten english translated to afrikaans as mitten translate com reach the world with ease use human powered
translations to ensure your message is understood by all

mitten in afrika cornelisfr vanlanschot be - Jul 13 2023

web sep 6 2021 rhythmic mitten in afrika von und mit christoph studer don bosco medien 2 7k subscribers subscribe 2 3k
views 1 year ago für kinder von 3 8

mitten in auf türkisch übersetzen deutsch tuerkisch net - Nov 24 2021

web 4 mitten in afrika 2021 03 29 wissenschaftliche ergebnisse der deutschen zentral africa expedition 1907 1908 springer science business media this text gives an

mitten in afrika monograf no - Aug 22 2021

mitten auf türkisch übersetzen deutsch türkisch wörterbuch - Sep 03 2022

web mitten in afrikaans english afrikaans dictionary glosbe english afrikaans translation of mitten into afrikaans moffie is the translation of mitten into afrikaans

alle 54 länder von afrika auf einen blick a wie atlas - May 11 2023

web feb 11 2003 mitten in afrika by ulla ackermann february 11 2003 hoffmann und campe verlag edition hardcover

mitten in afrika by ulla ackermann open library - Apr 10 2023

web mittelafrica german 'mɪtl̩ ʔaːfʁɪka middle africa is the name created for a geostrategic region in central and east africa much like mitteleuropa it articulated germany s foreign

levantine arabic kameen shwayy an haali listening reading - Jul 08 2022

web oct 20 2018 buy levantine arabic kameen shwayy an haali listening reading and expressing yourself in lebanese and syrian arabic by matthew aldrich online at alibris we have new and used copies available in 1 editions starting at 21 73 shop now

levantine arabic shwayy an haali listening reading and - Apr 17 2023

web buy levantine arabic shwayy an haali listening reading and expressing yourself in lebanese and syrian arabic volume 1 shwayy an haali series by aldrich matthew isbn 9780998641171 from amazon s book store everyday low prices and free delivery on eligible orders

levantine arabic kameen shwayy an haali listening reading - Mar 16 2023

web about this edition kameen shwayy an haali a little more about myself will be of tremendous help to independent language learners who want to develop their conversational skills and increase their arabic vocabulary bonus free audio tracks available to download and stream from lingualism com

shwayy an haali levantine arabic listening reading and - Jul 20 2023

web read this book using google play books app on your pc android ios devices download for offline reading highlight bookmark or take notes while you read shwayy an haali levantine

levantine arabic shwayy an haali listening reading - Feb 03 2022

web levantine arabic shwayy an haali listening reading can be taken as well as picked to act colloquial arabic levantine ebook and mp3 pack mohammad al masri 2014 10 14 colloquial arabic levantine provides a step by step course in levantine arabic

as it is used today combining a user friendly approach with a thorough treatment of the
levantine arabic kameen shwayy an haali listening reading - May 18 2023

web oct 20 2018 *levantine arabic kameen shwayy an haali listening reading and expressing yourself in lebanese and syrian arabic shwayy an haali series* aldrich matthew on amazon com free shipping on qualifying offers

shwayy an haali lingualism com - Jun 19 2023

web jan 9 2019 *shwayy an haali* presents the results of a survey given to 10 levantine arabic speakers five from lebanon and five from syria each of the 30 sections in the book begins with a question from the survey followed by the 10

levantine arabic kameen shwayy an haali listening reading - Sep 10 2022

web find out how long it will take you to read *levantine arabic kameen shwayy an haali listening reading and expressing yourself in lebanese and syrian arabic shwayy an haali series* by using our book word count search search for a book tell us how fast you read and start reading

shwayy an haali levantine arabic listening reading and - Sep 22 2023

web jan 6 2018 *shwayy an haali a little about myself* will be of tremendous help to independent language learners who want to develop their conversational skills and increase their arabic vocabulary

levantine arabic shwayy an haali listening reading and - Jan 14 2023

web synopsis about this edition *shwayy an haali a little about myself* will be of tremendous help to independent language learners who want to develop their conversational skills and increase their arabic vocabulary bonus free audio tracks available to download and stream from lingualism com

levantine arabic shwayy an haali listening reading - Aug 09 2022

web been transcribed for study in arabic voices 1 and 2 you will hear egyptian arabic levantine arabic lebanese arabic palestinian arabic jordanian arabic yemeni arabic tunisian arabic moroccan arabic as well as modern standard arabic mp3s are available for free download at lingualism com the

best resources to learn levantine arabic free paid - Dec 13 2022

web jul 10 2019 *levantine arabic shwayy an haali listening reading and expressing yourself in lebanese and syrian arabic shwayy an haali series*

levantine arabic shwayy an haali listening reading and - Nov 12 2022

web *levantine arabic shwayy an haali listening reading and expressing yourself in lebanese and syrian arabic shwayy an haali series book 1* matthew aldrich 4 7 out of 5 stars 17 in *syrian arabic voices authentic listening and reading practice in levantine colloquial arabic* you will meet amani umran nada fares bayan and rami all syrians in diaspora who

levantine arabic shwayy an haali listening reading - Aug 21 2023

levantine arabic shwayy an haali listening reading and - Oct 23 2023

web jan 6 2018 levanine arabic shwayy an haali listening reading and expressing yourself in lebanese and syrian arabic shwayy an haali series aldrich matthew 9780998641171 amazon com books enjoy fast free delivery exclusive deals and award winning movies tv shows with prime