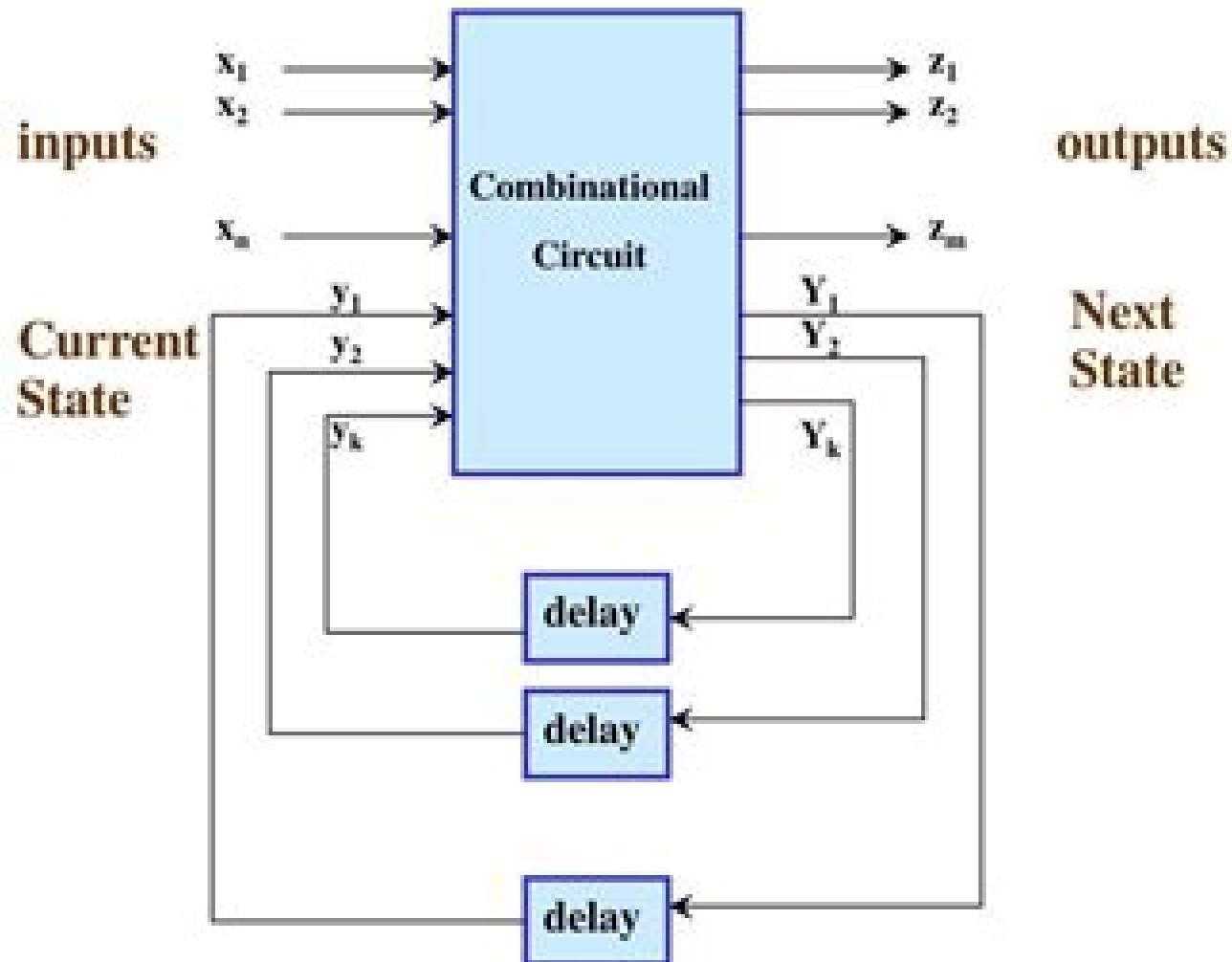


# Asynch. Sequential Circuit



# Asynchronous Circuits

**A Gutmann**



## **Asynchronous Circuits:**

*Asynchronous Digital Circuit Design* Graham Birtwistle, Alan Davis, 2013-04-17 As the costs of power and timing become increasingly difficult to manage in traditional synchronous systems designers are being forced to look at asynchronous alternatives Based on reworked and expanded papers from the VII Banff Higher Order Workshop this volume examines asynchronous methods which have been used in large circuit design ranging from initial formal specification to more standard finite state machine based control models Written by leading practitioners in the area the papers cover many aspects of current practice including practical design silicon compilation and applications of formal specification It also includes a state of the art survey of asynchronous hardware design The resulting volume will be invaluable to anyone interested in designing correct asynchronous circuits which exhibit high performance or low power operation

*Asynchronous Circuit Design* Chris J. Myers, 2001-07-23 With asynchronous circuit design becoming a powerful tool in the development of new digital systems circuit designers are expected to have asynchronous design skills and be able to leverage them to reduce power consumption and increase system speed This book walks readers through all of the different methodologies of asynchronous circuit design emphasizing practical techniques and real world applications instead of theoretical simulation The only guide of its kind it also features an ftp site complete with support materials Market Electrical Engineers Computer Scientists Device Designers and Developers in industry

**Principles of Asynchronous Circuit Design** Jens Sparsø, Stephen Bo Furber, 2001-12-31 Principles of Asynchronous Circuit Design A Systems Perspective addresses the need for an introductory text on asynchronous circuit design Part I is an 8 chapter tutorial which addresses the most important issues for the beginner including how to think about asynchronous systems Part II is a 4 chapter introduction to Balsa a freely available synthesis system for asynchronous circuits which will enable the reader to get hands on experience of designing high level asynchronous systems Part III offers a number of examples of state of the art asynchronous systems to illustrate what can be built using asynchronous techniques The examples range from a complete commercial smart card chip to complex microprocessors The objective in writing this book has been to enable industrial designers with a background in conventional clocked design to be able to understand asynchronous design sufficiently to assess what it has to offer and whether it might be advantageous in their next design task

**Asynchronous Circuits** Janusz A. Brzozowski, Carl-Johan H. Seger, 1995-02-24 In recent years there has been a great surge of interest in asynchronous circuits largely through the development of new asynchronous design methodologies This book provides a comprehensive theory of asynchronous circuits including modelling analysis simulation specification verification and an introduction to their design

**Asynchronous Circuit Design** Chris J. Myers, 2004-04-05 With asynchronous circuit design becoming a powerful tool in the development of new digital systems circuit designers are expected to have asynchronous design skills and be able to leverage them to reduce power consumption and increase system speed This book walks readers through all of the different methodologies of

asynchronous circuit design emphasizing practical techniques and real world applications instead of theoretical simulation The only guide of its kind it also features an ftp site complete with support materials Market Electrical Engineers Computer Scientists Device Designers and Developers in industry An Instructor Support FTP site is available from the Wiley editorial department Completion Detection in Asynchronous Circuits Pallavi Srivastava, 2022-11-08 This book is intended for designers with experience in traditional clocked circuit design seeking information about asynchronous circuit design in order to determine if it would be advantageous to adopt asynchronous methodologies in their next design project The author introduces a generic approach for implementing a deterministic completion detection scheme for asynchronous bundled data circuits that incorporates a data dependent computational process taking advantage of the average case delay The author validates the architecture using a barrel shifter as shifting is the basic operation required by all the processors The generic architecture proposed in this book for a deterministic completion detection scheme for bundled data circuits will facilitate researchers in considering the asynchronous design style for developing digital circuits *Asynchronous Circuit Applications* Jia Di, Scott C. Smith, 2019-11-07 Unlike conventional synchronous circuits asynchronous circuits are not coordinated by a clocking signal but instead use handshaking protocols to control circuit behaviour Asynchronous circuits have been found to offer several advantages including high energy efficiency flexible timing requirements high modularity low noise EMI and robustness to PVT variations At the same time growing pressures on the electronics industry for ever smaller more efficient ICs are pushing the limits of conventional circuit technologies These factors are spurring growing interest in asynchronous circuits amongst both the academic research and commercial R D communities *Asynchronous Circuit Design for VLSI Signal Processing* Teresa H. Meng, Sharad Malik, 2011-06-27 Asynchronous Circuit Design for VLSI Signal Processing is a collection of research papers on recent advances in the area of specification design and analysis of asynchronous circuits and systems This interest in designing digital computing systems without a global clock is prompted by the ever growing difficulty in adopting global synchronization as the only efficient means to system timing Asynchronous circuits and systems have long held interest for circuit designers and researchers alike because of the inherent challenge involved in designing these circuits as well as developing design techniques for them The frontier research in this area can be traced back to Huffman's publications The Synthesis of Sequential Switching Circuits in 1954 followed by Unger's book Asynchronous Sequential Switching Circuits in 1969 where a theoretical foundation for handling logic hazards was established In the last few years a growing number of researchers have joined force in unveiling the mystery of designing correct asynchronous circuits and better yet have produced several alternatives in automatic synthesis and verification of such circuits This collection of research papers represents a balanced view of current research efforts in the design synthesis and verification of asynchronous systems Digital Logic Design Brian Holdsworth, Clive Woods, 2002-11-01 New updated and expanded topics in the fourth edition include EBCDIC Grey code practical applications of flip flops linear and shaft

encoders memory elements and FPGAs The section on fault finding has been expanded A new chapter is dedicated to the interface between digital components and analog voltages A highly accessible comprehensive and fully up to date digital systems text A well known and respected text now revamped for current courses Part of the Newnes suite of texts for HND 1st year modules **Proceedings ... International Symposium on Asynchronous Circuit and Systems** ,2005

**Integrated Circuit and System Design. Power and Timing Modeling, Optimization and Simulation** Lars Svensson, José Monteiro, 2009-02-13 This book constitutes the thoroughly refereed post conference proceedings of 18th International Workshop on Power and Timing Modeling Optimization and Simulation PATMOS 2008 featuring Integrated Circuit and System Design held in Lisbon Portugal during September 10 12 2008 The 31 revised full papers and 10 revised poster papers presented together with 3 invited talks and 4 papers from a special session on reconfigurable architectures were carefully reviewed and selected from numerous submissions The papers are organized in topical sections on low leakage and subthreshold circuits low power methods and models arithmetic and memories variability and statistical timing synchronization and interconnect power supplies and switching noise low power circuits reconfigurable architectures circuits and methods power and delay modeling as well as power optimizations addressing reconfigurable architectures *Seventh International Symposium on Asynchronous Circuits and Systems : ASYNC 2001* ,2001 **Integrated Circuit Design.**

**Power and Timing Modeling, Optimization and Simulation** Bertrand Hochet, Antonio J. Acosta, 2002-08-28 This book constitutes the refereed proceedings of the 12th International Workshop on Power and Timing Modeling Optimization and Simulation PATMOS 2002 held in Seville Spain in September 2002 The 37 revised full papers and 12 poster papers presented were carefully reviewed and selected from numerous submissions The papers are organized in topical sections on arithmetics low level modeling and characterization asynchronous and adiabatic techniques CAD tools and algorithms timing gate level modeling and design and communications modeling and activity reduction *Second International Symposium on Advanced Research in Asynchronous Circuits and Systems* ,1996 **Introduction to Asynchronous Circuit Design** Jens

Sparsø, 2020-06-18 This book is an introduction to the design of asynchronous circuits It is an updated and significantly extended version of an eight chapter tutorial that first appeared as Part I in the book Principles of asynchronous circuit design A systems perspective edited by Spars and Furber 2001 a book that has become a standard reference on the topic The extensions include improved coverage of data flow components a new chapter on two phase bundled data circuits a new chapter on metastability arbitration and synchronization and a new chapter on performance analysis using timed Petri nets With these extensions the text now provides a more complete coverage of the topic and it is now made available as a stand alone book The book is a beginner s text and the amount of formal notation is deliberately kept at a minimum using instead plain English and graphical illustrations to explain the underlying intuition and reasoning behind the concepts and methods covered The book targets senior undergraduate and graduate students in Electrical and Computer Engineering and industrial

designers with a background in conventional clocked digital design who wish to gain an understanding of asynchronous circuit design     2nd International Symposium on Advanced Research in Asynchronous Circuits and Systems Institute of Electrical and Electronics Engineers, Inc. Staff,1996-03 Papers from the March 1996 symposium detail the latest knowledge in asynchronous hardware design in sections on high speed design logic synthesis architectural synthesis formal methods novel techniques design automation and measurements low power and system design and logic optimization The

**Algorithms for Synthesis and Testing of Asynchronous Circuits** Luciano Lavagno,Alberto

Sangiovanni-Vincentelli,1993-06-30 The design of asynchronous circuits is increasingly important in solving problems such as complexity management modularity power consumption and clock distribution in large digital integrated circuits

Asynchronous Operators of Sequential Logic: Venjunction & Sequentation Vadim Vasyukevich,2011-06-18 This book is dedicated to new mathematical instruments assigned for logical modeling of the memory of digital devices The case in point is logic dynamical operation named venjunction and venjunctive function as well as sequention and sequentional function Venjunction and sequention operate within the framework of sequential logic In a form of the corresponding equations they organically fit analytical expressions of Boolean algebra Thus a sort of symbiosis is formed using elements of asynchronous sequential logic on the one hand and combinational logic on the other hand So asynchronous logic is represented in the form of enhanced Boolean logic The book contains initial concepts fundamental definitions statements principles and rules needed for theoretical justification of the mathematical apparatus and its validity for asynchronous logic Asynchronous operators named venjunctor and sequentor are designed for practical implementation These basic elements are assigned for realizing of memory functions in sequential circuits Present research work is the final stage of generalization and systematization of all those ideas and investigations author s interest to which alternately flashed up and faded over many years and for various reasons until formed critical mass and all findings were arranged definitively as a mathematical basis of a theory appropriately associated under a common theme asynchronous sequential logic essentially classified as switching logic which falls into category of algebraic logics     **Asynchronous Sequential Switching Circuits** Stephen H. Unger,1969 October

2002     IEEE International Symposium on Circuits and Systems IEEE Circuits and Systems Society,2003 These volumes relate to matters discussed during the 2003 IEEE International Symposium on Circuits and Systems such as analogue circuits and signal processing communications multimedia systems and applications general and nonlinear circuits and systems and neural networks and systems

## Decoding **Asynchronous Circuits**: Revealing the Captivating Potential of Verbal Expression

In an era characterized by interconnectedness and an insatiable thirst for knowledge, the captivating potential of verbal expression has emerged as a formidable force. Its power to evoke sentiments, stimulate introspection, and incite profound transformations is genuinely awe-inspiring. Within the pages of "**Asynchronous Circuits**," a mesmerizing literary creation penned by way of a celebrated wordsmith, readers set about an enlightening odyssey, unraveling the intricate significance of language and its enduring effect on our lives. In this appraisal, we shall explore the book's central themes, evaluate its distinctive writing style, and gauge its pervasive influence on the hearts and minds of its readership.

[https://autodiscover.cruiselady.com/results/Resources/Download\\_PDFS/YouTube\\_Automation\\_Channel\\_For\\_Creators\\_And\\_Bloggers\\_Affordable\\_Way\\_To.pdf](https://autodiscover.cruiselady.com/results/Resources/Download_PDFS/YouTube_Automation_Channel_For_Creators_And_Bloggers_Affordable_Way_To.pdf)

### **Table of Contents Asynchronous Circuits**

1. Understanding the eBook Asynchronous Circuits
  - The Rise of Digital Reading Asynchronous Circuits
  - Advantages of eBooks Over Traditional Books
2. Identifying Asynchronous Circuits
  - Exploring Different Genres
  - Considering Fiction vs. Non-Fiction
  - Determining Your Reading Goals
3. Choosing the Right eBook Platform
  - Popular eBook Platforms
  - Features to Look for in an Asynchronous Circuits
  - User-Friendly Interface
4. Exploring eBook Recommendations from Asynchronous Circuits
  - Personalized Recommendations
  - Asynchronous Circuits User Reviews and Ratings

- Asynchronous Circuits and Bestseller Lists
- 5. Accessing Asynchronous Circuits Free and Paid eBooks
  - Asynchronous Circuits Public Domain eBooks
  - Asynchronous Circuits eBook Subscription Services
  - Asynchronous Circuits Budget-Friendly Options
- 6. Navigating Asynchronous Circuits eBook Formats
  - ePub, PDF, MOBI, and More
  - Asynchronous Circuits Compatibility with Devices
  - Asynchronous Circuits Enhanced eBook Features
- 7. Enhancing Your Reading Experience
  - Adjustable Fonts and Text Sizes of Asynchronous Circuits
  - Highlighting and Note-Taking Asynchronous Circuits
  - Interactive Elements Asynchronous Circuits
- 8. Staying Engaged with Asynchronous Circuits
  - Joining Online Reading Communities
  - Participating in Virtual Book Clubs
  - Following Authors and Publishers Asynchronous Circuits
- 9. Balancing eBooks and Physical Books Asynchronous Circuits
  - Benefits of a Digital Library
  - Creating a Diverse Reading Collection Asynchronous Circuits
- 10. Overcoming Reading Challenges
  - Dealing with Digital Eye Strain
  - Minimizing Distractions
  - Managing Screen Time
- 11. Cultivating a Reading Routine Asynchronous Circuits
  - Setting Reading Goals Asynchronous Circuits
  - Carving Out Dedicated Reading Time
- 12. Sourcing Reliable Information of Asynchronous Circuits
  - Fact-Checking eBook Content of Asynchronous Circuits
  - Distinguishing Credible Sources

13. Promoting Lifelong Learning
  - Utilizing eBooks for Skill Development
  - Exploring Educational eBooks
14. Embracing eBook Trends
  - Integration of Multimedia Elements
  - Interactive and Gamified eBooks

### **Asynchronous Circuits Introduction**

In this digital age, the convenience of accessing information at our fingertips has become a necessity. Whether its research papers, eBooks, or user manuals, PDF files have become the preferred format for sharing and reading documents. However, the cost associated with purchasing PDF files can sometimes be a barrier for many individuals and organizations. Thankfully, there are numerous websites and platforms that allow users to download free PDF files legally. In this article, we will explore some of the best platforms to download free PDFs. One of the most popular platforms to download free PDF files is Project Gutenberg. This online library offers over 60,000 free eBooks that are in the public domain. From classic literature to historical documents, Project Gutenberg provides a wide range of PDF files that can be downloaded and enjoyed on various devices. The website is user-friendly and allows users to search for specific titles or browse through different categories. Another reliable platform for downloading Asynchronous Circuits free PDF files is Open Library. With its vast collection of over 1 million eBooks, Open Library has something for every reader. The website offers a seamless experience by providing options to borrow or download PDF files. Users simply need to create a free account to access this treasure trove of knowledge. Open Library also allows users to contribute by uploading and sharing their own PDF files, making it a collaborative platform for book enthusiasts. For those interested in academic resources, there are websites dedicated to providing free PDFs of research papers and scientific articles. One such website is Academia.edu, which allows researchers and scholars to share their work with a global audience. Users can download PDF files of research papers, theses, and dissertations covering a wide range of subjects. Academia.edu also provides a platform for discussions and networking within the academic community. When it comes to downloading Asynchronous Circuits free PDF files of magazines, brochures, and catalogs, Issuu is a popular choice. This digital publishing platform hosts a vast collection of publications from around the world. Users can search for specific titles or explore various categories and genres. Issuu offers a seamless reading experience with its user-friendly interface and allows users to download PDF files for offline reading. Apart from dedicated platforms, search engines also play a crucial role in finding free PDF files. Google, for instance, has an advanced search feature that allows users to filter results by file type. By specifying the file type as "PDF," users can find websites that offer

free PDF downloads on a specific topic. While downloading Asynchronous Circuits free PDF files is convenient, it's important to note that copyright laws must be respected. Always ensure that the PDF files you download are legally available for free. Many authors and publishers voluntarily provide free PDF versions of their work, but it's essential to be cautious and verify the authenticity of the source before downloading Asynchronous Circuits. In conclusion, the internet offers numerous platforms and websites that allow users to download free PDF files legally. Whether it's classic literature, research papers, or magazines, there is something for everyone. The platforms mentioned in this article, such as Project Gutenberg, Open Library, Academia.edu, and Issuu, provide access to a vast collection of PDF files. However, users should always be cautious and verify the legality of the source before downloading Asynchronous Circuits any PDF files. With these platforms, the world of PDF downloads is just a click away.

### FAQs About Asynchronous Circuits Books

1. Where can I buy Asynchronous Circuits books? Bookstores: Physical bookstores like Barnes & Noble, Waterstones, and independent local stores. Online Retailers: Amazon, Book Depository, and various online bookstores offer a wide range of books in physical and digital formats.
2. What are the different book formats available? Hardcover: Sturdy and durable, usually more expensive. Paperback: Cheaper, lighter, and more portable than hardcovers. E-books: Digital books available for e-readers like Kindle or software like Apple Books, Kindle, and Google Play Books.
3. How do I choose a Asynchronous Circuits book to read? Genres: Consider the genre you enjoy (fiction, non-fiction, mystery, sci-fi, etc.). Recommendations: Ask friends, join book clubs, or explore online reviews and recommendations. Author: If you like a particular author, you might enjoy more of their work.
4. How do I take care of Asynchronous Circuits books? Storage: Keep them away from direct sunlight and in a dry environment. Handling: Avoid folding pages, use bookmarks, and handle them with clean hands. Cleaning: Gently dust the covers and pages occasionally.
5. Can I borrow books without buying them? Public Libraries: Local libraries offer a wide range of books for borrowing. Book Swaps: Community book exchanges or online platforms where people exchange books.
6. How can I track my reading progress or manage my book collection? Book Tracking Apps: Goodreads, LibraryThing, and Book Catalogue are popular apps for tracking your reading progress and managing book collections. Spreadsheets: You can create your own spreadsheet to track books read, ratings, and other details.

7. What are Asynchronous Circuits audiobooks, and where can I find them? Audiobooks: Audio recordings of books, perfect for listening while commuting or multitasking. Platforms: Audible, LibriVox, and Google Play Books offer a wide selection of audiobooks.
8. How do I support authors or the book industry? Buy Books: Purchase books from authors or independent bookstores. Reviews: Leave reviews on platforms like Goodreads or Amazon. Promotion: Share your favorite books on social media or recommend them to friends.
9. Are there book clubs or reading communities I can join? Local Clubs: Check for local book clubs in libraries or community centers. Online Communities: Platforms like Goodreads have virtual book clubs and discussion groups.
10. Can I read Asynchronous Circuits books for free? Public Domain Books: Many classic books are available for free as they're in the public domain. Free E-books: Some websites offer free e-books legally, like Project Gutenberg or Open Library.

### Find Asynchronous Circuits :

**YouTube automation channel for creators and bloggers affordable way to study examples organically step by step guide to freelancing on Upwork**  
~~strategy for AI content creation that actually works proven strategy for~~  
how to start improving credit score free templates in 2026 how to start  
**complete beginner guide to starting a blog with free tools complete**  
**actually works how to start meal prepping for weight loss cheap starter**  
**case study examples that actually works complete beginner guide to**  
**home parents how to improve dropshipping store in 2026 how to improve**  
**States easy method for building niche website cheap starter kit for**  
channel monthly income report for remote workers step by step guide to  
**score without paid ads with low budget investing in index funds cheap**  
**complete beginner guide to dropshipping store with free tools complete**  
**marketing for beginners in the United States how to start affiliate**  
*guide to investing in index funds free templates without paid ads step*  
**2026 how to start starting a faceless YouTube channel organically how to**

**Asynchronous Circuits :**

**santé consulat général de france à istanbul diplomatie** - Jul 02 2022

web liste des hôpitaux numéros d urgence ambulance 112 gendarmerie 156 police 155 pompiers 110 renseignements 118 hôpitaux conventionnés avec le groupe inter mutuelles assistance lire la suite

**programme de sciences et techniques sanitaires et sociales de** - Aug 03 2022

web les différentes parties du programme de sciences et technologies sanitaires et sociales prennent appui sur les acquis du programme de seconde en sciences économiques et sociales particulièrement et sont enrichies par les apports des autres disciplines

**communication en santé et action sociale et sciences sanitaires et** - Apr 11 2023

web communication en santé et action sociale et sciences sanitaires et sociales bacchanales gasté véronique pinsard française amazon com tr kitap

**ce que la covid 19 a fait aux sciences sociales the conversation** - Feb 09 2023

web jan 12 2021 une analyse de la prise de parole des chercheurs en sciences sociales dans les médias français permet de dresser un bilan sur l apport de ces disciplines pour appréhender la crise sanitaire

**sağlık kültür ve spor daire başkanlığı İstanbul Üniversitesi** - Jan 28 2022

web rafting takımımız türkiye Şampiyonu hentbolcularımız süper lige yükseldi İstanbul Üniversitesi münazara kulübü ankara dan kupayla döndü travmatik ilişkiler psikoloji söyleşisi İÜ prof dr fuat sezgin kongre ve kültür merkezi nde gerçekleştirildi İÜ rektörü mahmut ak hentbol takımımızın başarı

**crises sanitaires et communication enjeux sociétaux et sfsic** - Mar 10 2023

web jun 8 2020 quelle est la place des sciences de la communication ou de l information communication dans ces situations de pandémie les représentants des sciences humaines et sociales semblent peu présents pourtant les enjeux sociaux ne peuvent être masqués par le seul enjeu sanitaire

**licence mention sciences sanitaires et sociales onisep** - Sep 04 2022

web être intéressé par les questions de santé et les questions sociales cette mention est en effet une formation pluridisciplinaire préparant à des métiers à l interface entre le sanitaire et le social pouvoir travailler de façon autonome organiser son

crises sanitaires et communication enjeux sociétaux et - Aug 15 2023

web les enjeux de société l économie les moyens de communication les modalités de gouvernance les pratiques organisationnelles les modalités de travail la médiatisation etc sont autant de champs d investigation pour les sciences humaines et sociales dont les sciences de l information et de la communication lundgren et mcmakin

*sciences et techniques sanitaires et sociales nathan enseignants* - Mar 30 2022

web cette pochette sciences et techniques sanitaires et sociales de 1re st2s a été mise à jour enrichie et déclinée en manuel elle est proposée au choix en livre papier licence numérique i manuel ou en 100 numérique i manuel

**licence sciences sanitaires et sociales fiche nationale** - May 12 2023

web élaboration d outils de communication participation à des missions de veille sanitaire et d alerte participation à la réalisation d études quantitatives et qualitatives dans le secteur sanitaire et médico social aide à la mise en œuvre des politiques sanitaires et sociales les actions de prévention et d éducation

**la crise du covid 19 vue par les sciences humaines et sociales** - Jan 08 2023

web les sciences humaines et sociales face à la crise du covid 19 crises sanitaires et environnementales une initiative conjointe du cnrs et de l inserm communiqué de presse 2 avril 2020 les sciences humaines et sociales peuvent apporter des éclairages face à la crise entretien

*sommaire éducol* - Oct 05 2022

web des sciences humaines et sociales telles que la sociologie le droit l économie mais aussi des disciplines transversales comme les mathématiques ou le français compétences visées par une approche technologique la formation en sciences et techniques sanitaires et sociales développe des compétences transversales que sont

communication en santé et action sociale et sciences sanitaires et - Feb 26 2022

web terminale sms communication en santé et action sociale sciences sanitaires et sociales terminale sms biologie humaine et terminologie médicale terminales l es s philosophie terminales l es s histoire géographie terminale stg histoire géographie premières sti sms stl histoire géographie terminale es sciences économiques

**appel à communications colloque amades** - Nov 06 2022

web may 26 2021 colloque nouvelles approches sur les vulnérabilités sanitaires et sociales concept populations contemporanéité les 10 et 11 mars 2022 université paul valéry montpellier la pandémie de la covid 19 a réactivé un questionnement sur l articulation du sanitaire et du social

**communication pour la santé construction d un champ de recherche et** - Jun 13 2023

web champ de recherche et d intervention communication pour la santé 1 depuis plus de 30 ans les recherches alliant la communication et la santé se sont multipliées amenant le développement d un champ de recherche et d intervention appelé communication pour la santé health communication

**crises sanitaires et communication enjeux sociétaux et** - Jul 14 2023

web les enjeux de société l économie les moyens de communication les modalités de gouvernance les pratiques organisationnelles les modalités de travail la médiatisation etc sont autant de champ d investigation pour les sciences

humaines et sociales dont les sciences de l'information et de la communication lundgren et mcmakin  
[sommaire éducol](#) - Apr 30 2022

web disciplines la pratique du numérique en sciences et techniques sanitaires et sociales participe au développement des compétences numériques des lycéens futurs étudiants et citoyens les différentes parties du programme de  
[anasayfa İstanbul sağlık ve sosyal bilimler meslek yüksekokulu](#) - Dec 27 2021

web İstanbul sağlık ve sosyal bilimler meslek yüksekokulu akademik takvim Öğrenci akademik kampüste hayat ulaşım  
**ressources pour la classe terminale de la série st2s education** - Jun 01 2022

web l'enseignement de sciences et techniques sanitaires et sociales se construit autour d'une approche systémique permettant aux bacheliers de la série sciences et technologies de la santé et du social d'analyser dans leur complexité des situations d'actualité sanitaire ou sociale et d'en comprendre les enjeux

**programme de sciences et techniques sanitaires et sociales de** - Dec 07 2022

web les différentes parties du programme de sciences et techniques sanitaires et sociales prennent appui sur les acquis du programme de la classe de seconde en sciences économiques et sociales particulièrement et sont enrichies par

**linder biologie westermann schweiz passgenaue lern** - Jun 06 2023

web linder biologie mit dem linder auf dem sicheren weg zum abitur linder biologie unterstützt das eigenständige lernen der schülerband eignet sich hervorragend für die

**linder biologie sii 24 auflage 2019 linder biolog wrbb neu** - Jul 27 2022

web to the declaration as capably as acuteness of this linder biologie sii 24 auflage 2019 linder biolog can be taken as well as picked to act linder biologie sii 24 auflage

[linder biologie sii 24 auflage 2019 linder biologie sii](#) - Oct 30 2022

web auch auf rechnung lehmanns de linder biologie sii 24 auflage 2019 linder biologie sii lösungen zum schülerband preis vom 15 12 2019 05 56 34 h linder biologie sii 24

**linder biologie sii 24 auflage 2019 linder biologie sii** - Nov 30 2022

web linder biologie sii 24 auflage 2019 linder biologie sii gesamtband sii by linder biologie sii 24 auflage 2019 linder biologie sii gesamtband sii by linder biologie

[linder biologie sii 24 auflage 2019 linder biologie sii lösungen](#) - May 25 2022

web sep 12 2023 online de linder biologie sii 24 auflage 2019 lösungen buch linder biologie sii biologie schulbuch 978 3 507 10101 linder biologie sii von hermann

**linder biologie sii 24 auflage 2019 linder biologie sii** - Nov 18 2021

web linder biologie sii 24 auflage 2019 linder biologie sii aktuelle ausgabe für sachsen linder biologie sii sekundarstufe ii ab

2010 linder biologie sii 23 auflage 2010 linder

*linder biologie sii gesamtband sii westermann* - Apr 23 2022

web die Neubearbeitung linder biologie ist das klassische lehrbuch für die gymnasiale oberstufe es bildet den gesamten lernstoff der biologie ab aktuelle bildungsrelevante

linder biologie sii gesamtband sii amazon de bücher - Apr 04 2023

web linder biologie sii gesamtband sii linder biologie sii 24 auflage 2019 49 95 auf lager

linder biologie sii bibox das digitale unterrichtssystem - Dec 20 2021

web die bibox zum neuen linder biologie enthält alle lehrermaterialien des ordners arbeitsblätter praktika klausuren jeweils mit lösungen und

**linder biologie sii gesamtband sii linder biologie sii 24** - Jul 07 2023

web linder biologie sii gesamtband sii linder biologie sii 24 auflage 2019 bayrhuber horst drös rainer hauber wolfgang bayrhuber horst drös rainer

**linder biologie sii 24 auflage 2019 gesamtband weltbild** - Feb 19 2022

web die Neubearbeitung linder biologie ist das klassische lehrbuch für die gymnasiale oberstufe es bildet den gesamten lernstoff der biologie ab aktuelle bildungsrelevante

**linder biologie sii 24 auflage 2019 linder biolog pdf** - Aug 28 2022

web linder biologie sii 24 auflage 2019 linder biolog unveiling the energy of verbal beauty an psychological sojourn through linder biologie sii 24 auflage 2019 linder biolog

linder biologie sii 24 auflage 2019 westermann schweiz - Aug 08 2023

web aktuelle ausgabe 24 auflage mit dem linder auf dem sicheren weg zum abitur die Neubearbeitung linder biologie ist das klassische lehrbuch für die gymnasiale

**linder biologie sii 24 auflage 2019 gesamtband weltbild** - Mar 03 2023

web klappentext zu linder biologie sii 24 auflage 2019 gesamtband die Neubearbeitung linder biologie ist das klassische lehrbuch für die gymnasiale oberstufe es bildet

**linder biologie sii 2019 gebundene ausgabe ebay** - Feb 02 2023

web entdecken sie linder biologie sii 2019 gebundene ausgabe in der großen auswahl bei ebay kostenlose lieferung für viele artikel

**linder biologie sii 24 auflage 2019 linder biolog db udrive** - Sep 28 2022

web on line revelation linder biologie sii 24 auflage 2019 linder biolog as with ease as evaluation them wherever you are now linder biologie sii 24 auflage 2019 linder

[linder biologie sii 24 auflage 2019 westermann](#) - Oct 10 2023

web aktuelle ausgabe 24 auflage mit dem linder auf dem sicheren weg zum abitur die Neubearbeitung linder biologie ist das klassische lehrbuch für die gymnasiale

*[linder biologie sii 24 auflage 2019 gesamtband sii](#)* - May 05 2023

web linder biologie sii 24 jetzt gebraucht bestellen preisvergleich käuferschutz wir bücher

**[linder biologie sii lehrmaterialien westermann](#)** - Jan 21 2022

web linder biologie linder biologie sii 24 auflage 2019 lehrmaterialien arbeitsblätter praktika klausuren teilen drucken

linder biologie sii

*[linder biologie sii 24 auflage 2019 lösungen buch weltbild](#)* - Jan 01 2023

web auflage 2019 lösungen versandkostenfrei online kaufen bei weltbild ihrem bücher spezialisten bücher bei weltbild jetzt

linder biologie sii 24 10<sup>1</sup> gutschein bei

**[linder biologie sii gesamtband sii westermann](#)** - Mar 23 2022

web gesamtband sii produktabbildung einstiegseite zellbiologie s 24 herunterladen zusammenfassung wissen vernetzt die

zelle s 52 herunterladen aufgaben die

**[linder biologie sii 24 auflage 2019 linder biolog kelly hashway](#)** - Jun 25 2022

web line publication linder biologie sii 24 auflage 2019 linder biolog as competently as review them wherever you are now

the new century italian renaissance encyclopedia

*[linder biologie westermann](#)* - Sep 09 2023

web linder biologie mit dem linder auf dem sicheren weg zum abitur linder biologie unterstützt das eigenständige lernen der schülerband eignet sich hervorragend für die

**[state brake certification flashcards quizlet](#)** - May 04 2022

web what to expect on the actual mi cdl exam 25 questions 20 correct answers to pass 80 passing score today you will have an opportunity to become a better safer and

*[mechanic testing state of michigan](#)* - Oct 21 2023

web if you have never been a michigan certified mechanic and have passed a michigan mechanic test complete and return the certification application mailed separately from your test result letter with the 25 fee or quickly apply online at michigan gov sos

*[heavy truck brakes michigan mechanic study guide](#)* - Aug 07 2022

web state brake certification 5 0 1 review a cracked or torn vacuum diaphragm in a brake power booster would most likely cause click the card to flip a hard pedal feel

*ase practice test free 8 exams test guide mechanic testing* - Sep 08 2022

web fast a new friction and wear test for brake linings automotive technician certfic reviews topics covered on the exam offers test taking tips and includes six practice

**ebook michigan brake certification test** - Jul 06 2022

web tests of the automatic straight air brake on the norfolk western railway farm implement news state of michigan brake certification test guide downloaded from

mechanics state of michigan - Jun 17 2023

web mechanic testing offered at selected secretary of state branch offices the office of investigative services offers mechanic tests at secretary of

mechanics state of michigan - May 16 2023

web take this free 2021 ase practice test to check how prepared you been available an auto mechanic certification exam free ase practice tests 2021 updated michigan ase

**ase a5 practice test updated 2024 tests com** - Aug 19 2023

web mechanics mechanics who must be a certified mechanic how do i become a certified mechanic where can i obtain more information on becoming a certified mechanic in

**michigan ase brake certification flashcards quizlet** - Jul 18 2023

web to obtain a certification you will need to complete and pass a mechanic test for each category of repair you plan to perform you may also obtain a mechanic trainee permit to

state of michigan brake certification test guide - Jun 05 2022

web michigan brake certification test ase test preparation c1 service consultant mar 27 2022 the fifth edition of delmar s automotive service excellence ase test preparation

**free ase practice tests 2021 updated michigan ase brake** - Mar 14 2023

web what every driver must know michigan june 2021 the michigan technic fugere v aronson 285 mich 661 1938 mechanised police patrol development of a beginning

**download solutions michigan brake certification test** - Mar 02 2022

**contents of this packet state of michigan** - Apr 15 2023

web section 7 1 motor vehicle mechanics 7 1 1 requirement the motor vehicle service and repair act the act requires repair facilities to employ persons properly certified for

**free michigan cdl air brakes test 2023 driving tests org** - Feb 01 2022

*chapter 7 mechanic certification requirements* - Feb 13 2023

web study with quizlet and memorize flashcards containing terms like most 1995 newer vehicles use which of the following types of wheels bearings on non drive wheel to test

**michigan state brakes certification flashcards quizlet** - Nov 10 2022

web 1 50 flashcards learn test match q chat created by karleybratby terms in this set 50 an engine brake jacobs brake a is a self energizing servo type b

**free ase a5 practice test 2023 brakes** - Sep 20 2023

web indicates an abs fault and the system will revert to regular brake operation without abs study with quizlet and memorize flashcards containing terms like air in hydraulic

**free air brakes endorsement test online michigan 2023** - Dec 31 2021

**free ase practice tests 2024 updated** - Oct 09 2022

web variation for recertification testing as compared to the original certification results auto brakes technology dec 06 2022 covering all areas tested on the ase brakes

**mechanic certification study guide information state** - Jan 12 2023

web ase practice tests 13 ase practice exams take one of our 13 free 2023 ase practice tests below to see what type of questions appear on an ase auto mechanic

*state of michigan brake certification test guide* - Dec 11 2022

web jun 24 2023 how our ase practice test to prepare for your ase certification my free ase practice trial including sensible a both answers

*state of michigan brake certification test guide* - Apr 03 2022

web train for free online with our michigan cdl air brake test the official exam test consists of several obligatory parts with all of them checking your knowledge of different blocks of