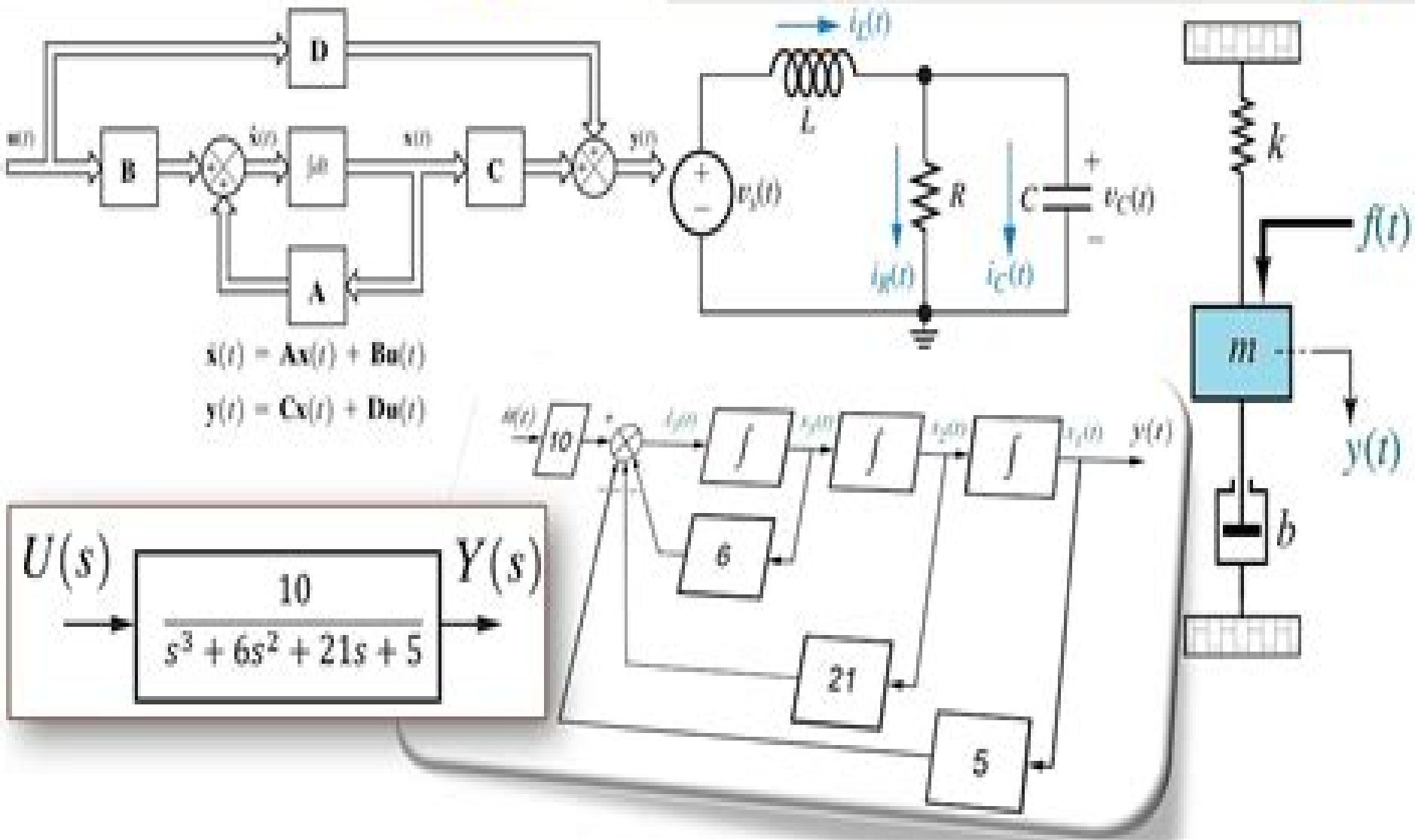


State-Space Modeling



Dynamic Feature Space Modelling Filterin

Richard Bailey



Dynamic Feature Space Modelling Filterin:

This is likewise one of the factors by obtaining the soft documents of this **Dynamic Feature Space Modelling Filterin** by online. You might not require more era to spend to go to the ebook establishment as well as search for them. In some cases, you likewise complete not discover the revelation Dynamic Feature Space Modelling Filterin that you are looking for. It will extremely squander the time.

However below, as soon as you visit this web page, it will be so entirely simple to get as skillfully as download lead Dynamic Feature Space Modelling Filterin

It will not take many time as we run by before. You can get it even if discharge duty something else at home and even in your workplace. therefore easy! So, are you question? Just exercise just what we have the funds for under as skillfully as review **Dynamic Feature Space Modelling Filterin** what you past to read!

https://autodiscover.cruiselady.com/About/Resources/Documents/american_heroism.pdf

Table of Contents Dynamic Feature Space Modelling Filterin

1. Understanding the eBook Dynamic Feature Space Modelling Filterin
 - The Rise of Digital Reading Dynamic Feature Space Modelling Filterin
 - Advantages of eBooks Over Traditional Books
2. Identifying Dynamic Feature Space Modelling Filterin
 - Exploring Different Genres
 - Considering Fiction vs. Non-Fiction
 - Determining Your Reading Goals
3. Choosing the Right eBook Platform
 - Popular eBook Platforms
 - Features to Look for in an Dynamic Feature Space Modelling Filterin
 - User-Friendly Interface
4. Exploring eBook Recommendations from Dynamic Feature Space Modelling Filterin

- Personalized Recommendations
- Dynamic Feature Space Modelling Filterin User Reviews and Ratings
- Dynamic Feature Space Modelling Filterin and Bestseller Lists
- 5. Accessing Dynamic Feature Space Modelling Filterin Free and Paid eBooks
 - Dynamic Feature Space Modelling Filterin Public Domain eBooks
 - Dynamic Feature Space Modelling Filterin eBook Subscription Services
 - Dynamic Feature Space Modelling Filterin Budget-Friendly Options
- 6. Navigating Dynamic Feature Space Modelling Filterin eBook Formats
 - ePub, PDF, MOBI, and More
 - Dynamic Feature Space Modelling Filterin Compatibility with Devices
 - Dynamic Feature Space Modelling Filterin Enhanced eBook Features
- 7. Enhancing Your Reading Experience
 - Adjustable Fonts and Text Sizes of Dynamic Feature Space Modelling Filterin
 - Highlighting and Note-Taking Dynamic Feature Space Modelling Filterin
 - Interactive Elements Dynamic Feature Space Modelling Filterin
- 8. Staying Engaged with Dynamic Feature Space Modelling Filterin
 - Joining Online Reading Communities
 - Participating in Virtual Book Clubs
 - Following Authors and Publishers Dynamic Feature Space Modelling Filterin
- 9. Balancing eBooks and Physical Books Dynamic Feature Space Modelling Filterin
 - Benefits of a Digital Library
 - Creating a Diverse Reading Collection Dynamic Feature Space Modelling Filterin
- 10. Overcoming Reading Challenges
 - Dealing with Digital Eye Strain
 - Minimizing Distractions
 - Managing Screen Time
- 11. Cultivating a Reading Routine Dynamic Feature Space Modelling Filterin
 - Setting Reading Goals Dynamic Feature Space Modelling Filterin
 - Carving Out Dedicated Reading Time
- 12. Sourcing Reliable Information of Dynamic Feature Space Modelling Filterin

-
- Fact-Checking eBook Content of Dynamic Feature Space Modelling Filterin
 - Distinguishing Credible Sources
13. Promoting Lifelong Learning
- Utilizing eBooks for Skill Development
 - Exploring Educational eBooks
14. Embracing eBook Trends
- Integration of Multimedia Elements
 - Interactive and Gamified eBooks

Dynamic Feature Space Modelling Filterin Introduction

In today's digital age, the availability of Dynamic Feature Space Modelling Filterin books and manuals for download has revolutionized the way we access information. Gone are the days of physically flipping through pages and carrying heavy textbooks or manuals. With just a few clicks, we can now access a wealth of knowledge from the comfort of our own homes or on the go. This article will explore the advantages of Dynamic Feature Space Modelling Filterin books and manuals for download, along with some popular platforms that offer these resources. One of the significant advantages of Dynamic Feature Space Modelling Filterin books and manuals for download is the cost-saving aspect. Traditional books and manuals can be costly, especially if you need to purchase several of them for educational or professional purposes. By accessing Dynamic Feature Space Modelling Filterin versions, you eliminate the need to spend money on physical copies. This not only saves you money but also reduces the environmental impact associated with book production and transportation. Furthermore, Dynamic Feature Space Modelling Filterin books and manuals for download are incredibly convenient. With just a computer or smartphone and an internet connection, you can access a vast library of resources on any subject imaginable. Whether you're a student looking for textbooks, a professional seeking industry-specific manuals, or someone interested in self-improvement, these digital resources provide an efficient and accessible means of acquiring knowledge. Moreover, PDF books and manuals offer a range of benefits compared to other digital formats. PDF files are designed to retain their formatting regardless of the device used to open them. This ensures that the content appears exactly as intended by the author, with no loss of formatting or missing graphics. Additionally, PDF files can be easily annotated, bookmarked, and searched for specific terms, making them highly practical for studying or referencing. When it comes to accessing Dynamic Feature Space Modelling Filterin books and manuals, several platforms offer an extensive collection of resources. One such platform is Project Gutenberg, a nonprofit organization that provides over 60,000 free eBooks. These books are primarily in the public domain, meaning they can be freely distributed and downloaded. Project Gutenberg offers a wide

range of classic literature, making it an excellent resource for literature enthusiasts. Another popular platform for Dynamic Feature Space Modelling Filterin books and manuals is Open Library. Open Library is an initiative of the Internet Archive, a non-profit organization dedicated to digitizing cultural artifacts and making them accessible to the public. Open Library hosts millions of books, including both public domain works and contemporary titles. It also allows users to borrow digital copies of certain books for a limited period, similar to a library lending system. Additionally, many universities and educational institutions have their own digital libraries that provide free access to PDF books and manuals. These libraries often offer academic texts, research papers, and technical manuals, making them invaluable resources for students and researchers. Some notable examples include MIT OpenCourseWare, which offers free access to course materials from the Massachusetts Institute of Technology, and the Digital Public Library of America, which provides a vast collection of digitized books and historical documents. In conclusion, Dynamic Feature Space Modelling Filterin books and manuals for download have transformed the way we access information. They provide a cost-effective and convenient means of acquiring knowledge, offering the ability to access a vast library of resources at our fingertips. With platforms like Project Gutenberg, Open Library, and various digital libraries offered by educational institutions, we have access to an ever-expanding collection of books and manuals. Whether for educational, professional, or personal purposes, these digital resources serve as valuable tools for continuous learning and self-improvement. So why not take advantage of the vast world of Dynamic Feature Space Modelling Filterin books and manuals for download and embark on your journey of knowledge?

FAQs About Dynamic Feature Space Modelling Filterin Books

1. Where can I buy Dynamic Feature Space Modelling Filterin books? Bookstores: Physical bookstores like Barnes & Noble, Waterstones, and independent local stores. Online Retailers: Amazon, Book Depository, and various online bookstores offer a wide range of books in physical and digital formats.
2. What are the different book formats available? Hardcover: Sturdy and durable, usually more expensive. Paperback: Cheaper, lighter, and more portable than hardcovers. E-books: Digital books available for e-readers like Kindle or software like Apple Books, Kindle, and Google Play Books.
3. How do I choose a Dynamic Feature Space Modelling Filterin book to read? Genres: Consider the genre you enjoy (fiction, non-fiction, mystery, sci-fi, etc.). Recommendations: Ask friends, join book clubs, or explore online reviews and recommendations. Author: If you like a particular author, you might enjoy more of their work.
4. How do I take care of Dynamic Feature Space Modelling Filterin books? Storage: Keep them away from direct sunlight

- and in a dry environment. Handling: Avoid folding pages, use bookmarks, and handle them with clean hands. Cleaning: Gently dust the covers and pages occasionally.
5. Can I borrow books without buying them? Public Libraries: Local libraries offer a wide range of books for borrowing. Book Swaps: Community book exchanges or online platforms where people exchange books.
 6. How can I track my reading progress or manage my book collection? Book Tracking Apps: Goodreads, LibraryThing, and Book Catalogue are popular apps for tracking your reading progress and managing book collections. Spreadsheets: You can create your own spreadsheet to track books read, ratings, and other details.
 7. What are Dynamic Feature Space Modelling Filterin audiobooks, and where can I find them? Audiobooks: Audio recordings of books, perfect for listening while commuting or multitasking. Platforms: Audible, LibriVox, and Google Play Books offer a wide selection of audiobooks.
 8. How do I support authors or the book industry? Buy Books: Purchase books from authors or independent bookstores. Reviews: Leave reviews on platforms like Goodreads or Amazon. Promotion: Share your favorite books on social media or recommend them to friends.
 9. Are there book clubs or reading communities I can join? Local Clubs: Check for local book clubs in libraries or community centers. Online Communities: Platforms like Goodreads have virtual book clubs and discussion groups.
 10. Can I read Dynamic Feature Space Modelling Filterin books for free? Public Domain Books: Many classic books are available for free as they're in the public domain. Free E-books: Some websites offer free e-books legally, like Project Gutenberg or Open Library.

Find Dynamic Feature Space Modelling Filterin :

[american heroism](#)

[american cottage gardens](#)

[american headway](#)

[american league 1996 red](#)

[american novelists fenimore cooper](#)

american negro art

american national standard code for electricity metering

[american family in world war ii](#)

american history survey vol 2

american fishermans fresh & salt water guide

~~american expose ahead of their time. vhs video tape.~~

~~american cooking popular brands cookbooks ser.~~

~~american cruisers of world war ii a pictorial encyclopedia~~

american jewelry manufacturers

~~american in saudi arabia~~

Dynamic Feature Space Modelling Filterin :

la cuisine japonaise de kimiko kimiko barber bibliothèque - Apr 30 2022

web la cuisine japonaise de kimiko kimiko barbe livre barber kimiko auteur 2011 une découverte des aliments essentiels de la cuisine japonaise tofu radis blanc thé vert et plus d une centaine de recettes pour préparer des repas légers du

la cuisine japonaise de kimiko kimiko barber solar - Mar 10 2023

web feb 3 2011 la cuisine de kimiko à base de produits frais préparés juste avant consommation vous permettra de conjuguer plaisir diététique et saveurs kimiko barber vous invite à découvrir la cuisine japonaise celle qu elle aime partager

la cuisine japonaise de kimiko barber livre decitre - Jun 01 2022

web sep 26 2013 la cuisine japonaise de kimiko barber Éditeur solar livraison gratuite à 0 01 dès 35 d achat librairie decitre votre prochain livre est là

la cuisine japonaise de kimiko lalibrairie com - Sep 04 2022

web découvrez et achetez le livre la cuisine japonaise de kimiko écrit par kimiko barber chez solar sur lalibrairie com en français langues étrangères

la cuisine japonaise de kimiko kimiko barber cultura - Feb 09 2023

web la cuisine japonaise de kimiko par kimiko barber aux éditions solar inscrivez la cuisine japonaise à vos menus naturelle raffinée et excellente pour la santé elle saura vous séduire et vous faire mincir sans frustration

soba et st jacques au pesto de miruna recette japonaise cuisine - Feb 26 2022

web mar 10 2011 cuisine asiatique portions 2 personnes ingrédients 200 g nouilles soba 4 coquilles noix de st jacques fraîches de belle taille 50 g roquette 1 oignon nouveau tranché fin 2 c à café huile de sésame pour le pesto de mizuna 100 g feuilles de mizuna remplacées par 50 g de roquette et 50 g de pousses d épinard comme conseillé par

la cuisine japonaise de kimiko kimiko barber solar - Apr 11 2023

web la cuisine de kimiko à base de produits frais préparés juste avant consommation vous permettra de conjuguer plaisir diététique et saveurs kimiko barber vous invite à découvrir la cuisine japonaise celle qu elle aime partager

cuisine japonaise de kimiko la par kimiko barber cuisine cuisine - Nov 06 2022

web mar 14 2011 inscrivez la cuisine japonaise à vos menus naturelle raffinée et excellente pour la santé elle saura vous séduire et vous faire mincir sans frustration la cuisine de kimiko à base de

la cuisine japonaise de kimiko livre d occasion - Jan 28 2022

web auteur barber kimiko isbn 9782263052675 Édition solar livraison gratuite expédiée en 24h satisfait ou remboursé passer au contenu livraison À 0 99 et

la cuisine japonaise de kimiko 120 recettes gourmandes et - Dec 07 2022

web la cuisine de kimiko à base de produits frais préparés juste avant consommation vous permettra de conjuguer plaisir diététique et saveurs kimiko barber vous invite à découvrir la cuisine japonaise celle qu elle aime partager

la cuisine japonaise de kimiko by kimiko barber goodreads - Jan 08 2023

web la cuisine de kimiko à base de produits frais préparés juste avant consommation vous permettra de conjuguer plaisir diététique et saveurs kimiko barber vous invite à découvrir la cuisine japonaise celle qu elle aime partager ainsi vous apprendrez

la cuisine japonaise de kimiko 120 recettes gourmandes et - Jul 02 2022

web la cuisine japonaise de kimiko inscrivez la cuisine japonaise à vos menus naturelle raffinée et excellente pour la santé elle la cuisine japonaise de kimiko kimiko barber solar grand - Oct 05 2022

web feb 3 2011 la cuisine de kimiko à base de produits frais préparés juste avant consommation vous permettra de conjuguer plaisir diététique et saveurs kimiko barber vous invite à découvrir inscrivez la cuisine japonaise à vos menus

la cuisine japonaise de kimiko amazon fr - Aug 15 2023

web la cuisine japonaise de kimiko broché 3 février 2011 de kimiko barber auteur jean cazals photographies 3 9 4 évaluations afficher tous les formats et éditions broché

kimiko michel avocate fondatrice cabinet d avocats - Dec 27 2021

web expérience avocate fondatrice cabinet d avocats kimiko michel août 2008 aujourd'hui 15 ans 1 mois saint mandé cabinet spécialisé en droit des étrangers et droit d asile voir le profil

la cuisine japonaise de kimiko lecteurs com - Mar 30 2022

web feb 3 2011 inscrivez la cuisine japonaise à vos menus naturelle raffinée et excellente pour la santé elle saura vous séduire et vous faire mincir sans frustration la cuisine japonaise de kimiko de kimiko barber aux éditions solar lecteurs com

la cuisine japonaise de kimiko barber kimiko amazon ca livres - May 12 2023

web la cuisine de kimiko à base de produits frais préparés juste avant consommation vous permettra de conjuguer plaisir diététique et saveurs ce livre vous propose plus de 100 recettes typiquement japonaises très faciles à réaliser pour tous les

repas de la journée du petit déjeuner au dîner sans oublier les petits creux

la cuisine japonaise de kimiko broché fnac - Jul 14 2023

web la cuisine de kimiko à base de produits frais préparés juste avant consommation vous permettra de conjuguer plaisir diététique et caractéristiques voir tout date de parution février 2011 editeur solar collection plaisirs légers format 19cm

la cuisine japonaise de kimiko 120 recettes de kimiko barber - Jun 13 2023

web feb 3 2011 la cuisine de kimiko à base de produits frais préparés juste avant consommation vous permettra de conjuguer plaisir diététique et saveurs kimiko barber vous invite à découvrir la cuisine japonaise celle qu'elle aime partager

[la cuisine japonaise de kimiko barber kimiko 9782263052675](#) - Aug 03 2022

web inscrivez la cuisine japonaise à vos menus naturelle raffinée et excellente pour la santé elle saura vous séduire et vous faire mincir sans frustration la cuisine de kimiko à base de produits frais préparés juste avant consommation vous permettra de conjuguer plaisir diététique et saveurs

colonialism postcolonialism new critical idiom mitpressbookstore - Jul 13 2023

web apr 28 2015 colonialism postcolonialism is a comprehensive yet accessible guide to the historical theoretical and political dimensions of colonial and postcolonial studies

colonialism postcolonialism the new critical idiom - Apr 29 2022

web apr 6 2016 influenced by the poststructuralist and postmodern idea of decentering postcolonial literary criticism undermines the universalist claims of literature identifies

[colonialism postcolonialism the new critical idiom](#) - May 11 2023

web apr 17 2015 colonialism postcolonialism is a comprehensive yet accessible guide to the historical theoretical and political dimensions of colonial and postcolonial studies this new edition includes a new introduction and conclusion as well as

ania loomba colonialism postcolonialism the new critical idiom routledge 2005 - Aug 14 2023

web apr 28 2015 colonialism postcolonialism is the essential introduction to a vibrant and politically charged area of literary and cultural study it is the ideal guide for students new

colonialism postcolonialism the new critical idiom softcover - Aug 02 2022

web with new coverage of emerging debates around globalization this second edition will continue to serve as the ideal guide for students new to colonial discourse theory

colonialism postcolonialism the new critical idiom softcover - Sep 03 2022

web jan 1 1998 new critical idiom colonialism postcolonialism ania loomba 3 87 567 ratings 36 reviews colonialism postcolonialism is a comprehensive yet accessible

colonialism postcolonialism the new critical idiom - Jun 12 2023

web oct 21 2005 there is a newer edition of this item colonialism postcolonialism the new critical idiom 25 41 54 in stock colonialism postcolonialism is a

colonialism postcolonialism the new critical idiom - Nov 24 2021

postcolonialism literary theory and criticism - Feb 25 2022

web aug 23 2023 the general purpose of engaging in postcolonial criticism is to open a space where the residual effects of colonialism can be resisted it is not a question of

colonialism postcolonialism the new critical idiom anna s - Feb 08 2023

web colonialism postcolonialism the new critical idiom 18 99 47 in stock colonialism postcolonialism is a comprehensive yet accessible guide to the historical

colonialism postcolonialism the new critical idiom - Apr 10 2023

web with extended coverage of emerging debates around globalization as well as a fully updated bibliography this second edition will continue to serve as the ideal guide for

colonialism postcolonialism the new critical idiom - Dec 06 2022

web aug 15 2005 the new critical idiom series new york routledge 1998 289 pp 16 95 robert j c young postcolonialism a very short introduction oxford oxford

postcolonial criticism summary enotes com - Jan 27 2022

web read 36 reviews from the world s largest community for readers colonialism postcolonialism is a comprehensive yet accessible guide to the historical

colonialism postcolonialism the new critical idiom paperback - May 31 2022

web for the perspective in international relations see postcolonialism international relations postcolonialism is the critical academic study of the cultural political and economic

ani loomba colonialism postcolonialism the new critical idiom - Oct 04 2022

web about this edition colonialism postcolonialism is a comprehensive yet accessible guide to the historical theoretical and political dimensions of colonial and postcolonial

colonialism postcolonialism the new critical idiom open library - Jan 07 2023

web colonialism postcolonialism is the essential introduction to a vibrant and politically charged area of literary and cultural study it is the ideal guide for students new to

postcolonialism wikipedia - Mar 29 2022

web sep 4 2023 postcolonial criticism is an examination of the history culture and especially literature of cultures of africa asia including the indian subcontinent the

what is postcolonial criticism with pictures language - Dec 26 2021

web apr 17 1998 colonialism postcolonialism by ania loomba april 17 1998 routledge edition in english

colonialism postcolonialism the new critical idiom - Mar 09 2023

web oct 21 2005 colonialism postcolonialism the new critical idiom by ania loomba 0 ratings 4 want to read 1 currently reading 0 have read

colonialism postcolonialism the new critical idiom open library - Oct 24 2021

colonialism postcolonialism by ania loomba goodreads - Jul 01 2022

web this books includes key features of the ideologies and history of colonialism the relationship of colonial discourse to literature challenges to colonialism including

colonialism postcolonialism 3rd edition john drakakis - Nov 05 2022

web apr 28 2015 this books includes key features of the ideologies and history of colonialism the relationship of colonial discourse to literature anticolonial thought and

svetlana brzev john pao reinforced concrete design a scribd - Mar 11 2023

web svetlana brzev john pao reinforced concrete design a practical approach 2011 free ebook download as pdf file pdf or read book online for free sa

reinforced concrete design a practical approach brzev svetlana pao - Dec 08 2022

web jun 13 2011 reinforced concrete design a practical approach brzev svetlana pao john 9780558303426 books amazon ca

reinforced concrete design a practical approach svetlana brzev john - Feb 10 2023

web jun 13 2011 svetlana brzev john pao pearson learning solutions jun 13 2011 reinforced concrete construction 768 pages this book covers the design of main reinforced concrete structural members in accordance with the limit states design method and is based on the new csa standard a23 3 04 design of concrete structures

download ebook design of concrete structures solution manual - Dec 28 2021

web concrete solutions 2014 2014 08 18 reinforced concrete design a practical approach 2e is the only canadian textbook which covers the design of reinforced concrete structural members in accordance with the csa standard a23 3 04 design of concrete structures including its 2005 2007 and 2009

reinforced concrete design a practical approach chapter 12 pdf - Mar 31 2022

web reinforced concrete design a practical approach chapter 12 author svetlana brzev john pao category technique

construction cement industry tags concrete reinforced design brzev language english isbn 1323496556 9781323496558 year 2017 pages 190 file size 4 8 mb total downloads 4 345 total views 11 537 edition 3 pages

reinforced concrete design a practical approach 2nd edition brzev - May 13 2023

web oct 23 2012 reinforced concrete design a practical approach 2nd edition brzev svetlana pao john 9781256873846 books amazon ca

reinforced concrete design a practical approach brzev svetlana - Aug 16 2023

web english volume 2ed xxv 940 pages 29 cm taken from reinforced concrete design a practical approach by svetlana brzev and john pao copyright 2006 by pearson education canada inc title page verso this edition includes new content and several revisions to the original edition of the text page xxiii

reinforced concrete design a practical approach svetlana brzev john - Jul 15 2023

web aug 22 2016 svetlana brzev john pao pearson education aug 22 2016 reinforced concrete construction 968 pages

reinforced concrete design a practical approach covers key topics for

reinforced concrete design a practical approach brzev svetlana - Oct 06 2022

web reinforced concrete design a practical approach svetlana brzev john pao 1256873845 toronto public library

15wcee iit kanpur - Jan 29 2022

web optimum automated direct displacement based design of reinforced concrete frames d shanker h n singh a kumar v n

neelakandan v s kumar bond behavior between steel and concrete in low level corrosion of reinforcing steel j paul smith

pardo john c bardi carlos e ospina svetlana brzev

reinforced concrete design a practical approach brzev svetlana pao - Jul 03 2022

web oct 23 2012 reinforced concrete design a practical approach brzev svetlana pao john amazon sg books

[reinforced concrete design a practical approach brzev svetlana pao](#) - Nov 07 2022

web abebooks com reinforced concrete design a practical approach 9780558303426 by brzev svetlana pao john and a great selection of similar new used and collectible books available now at great prices

reinforced concrete design a practical approach 3rd edition brzev - Aug 04 2022

web aug 22 2016 reinforced concrete design a practical approach 3rd edition brzev svetlana pao john 9781323496558

books amazon ca

reinforced concrete design a practical approach svetlana brzev john - Jan 09 2023

web svetlana brzev john pao pearson prentice hall 2006 reinforced concrete construction 743 pages this book covers the design of main reinforced concrete structural members in

reinforced concrete design a practical approach svetlana brzev john - Apr 12 2023

web oct 23 2012 svetlana brzev john pao pearson learning solutions oct 23 2012 reinforced concrete construction 968 pages
reinforced concrete design a practical approach 2e is the only

reinforced concrete design svetlana brzev john pao david - Feb 27 2022

web reinforced concrete design svetlana brzev john pao as recognized adventure as skillfully as experience more or less
lesson amusement as skillfully as pact can be gotten by just checking out a ebook reinforced concrete design svetlana brzev
john pao plus it is not directly done you could acknowledge even more going on for this life nearly

s brzev j pao reinforced concrete design a practical approach - Jun 14 2023

web reinforced bonus cd rom inside reinforced concrete design a practical approach updated edition svetlana brzev john pao
bonus cd rom inside taken from reinforced concrete design a practical approach by svetlana brzev and john pao custom
publishing new york boston san francisco london

reinforced concrete design a practical approach 2nd edition brzev - Sep 05 2022

web abebooks com reinforced concrete design a practical approach 2nd edition 9781256873846 by brzev svetlana pao john
and a great selection of similar new used and collectible books available now at great prices

reinforced concrete design a practical approach alibris - May 01 2022

web buy reinforced concrete design a practical approach by svetlana brzev john pao online at alibris we have new and used
copies available in 1 editions starting at 131 94 shop now

reinforced concrete design a practical approach 2nd edition brzev - Jun 02 2022

web nov 2 2012 reinforced concrete design a practical approach 2e is the only canadian textbook which covers the design of
reinforced concrete structural members in accordance with the csa standard a23 3 04 design of concrete structures
including its 2005 2007 and 2009 amendments and the national building code of canada 2010