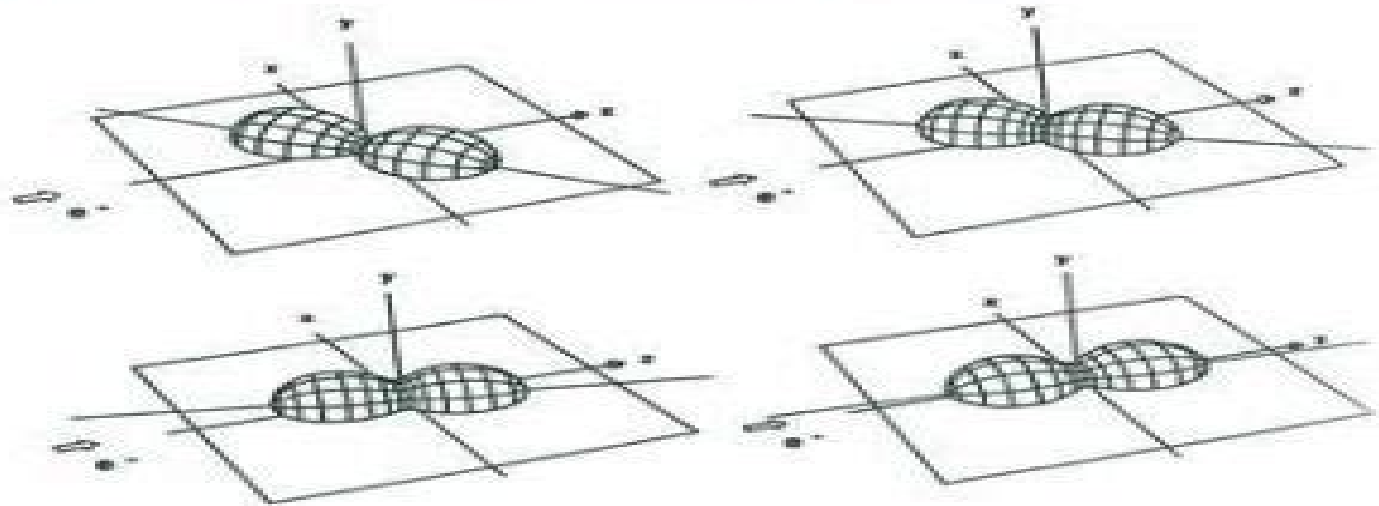


PHYSICS OF ATOMS AND MOLECULES  
Series Editors: P. G. Burke and H. Kleinpoppen

# COHERENCE IN ATOMIC COLLISION PHYSICS



EDITED BY H. J. BEYER,  
K. BLUM, AND R. HIPPLER

# Coherence In Atomic Collision Physics

**J Dewey**



## **Coherence In Atomic Collision Physics:**

Uncover the mysteries within Explore with is enigmatic creation, **Coherence In Atomic Collision Physics** . This downloadable ebook, shrouded in suspense, is available in a PDF format ( PDF Size: \*). Dive into a world of uncertainty and anticipation. Download now to unravel the secrets hidden within the pages.

<https://autodiscover.cruiselady.com/book/browse/index.jsp/Cover%20For%20A%20Traitor.pdf>

## **Table of Contents Coherence In Atomic Collision Physics**

1. Understanding the eBook Coherence In Atomic Collision Physics
  - The Rise of Digital Reading Coherence In Atomic Collision Physics
  - Advantages of eBooks Over Traditional Books
2. Identifying Coherence In Atomic Collision Physics
  - Exploring Different Genres
  - Considering Fiction vs. Non-Fiction
  - Determining Your Reading Goals
3. Choosing the Right eBook Platform
  - Popular eBook Platforms
  - Features to Look for in an Coherence In Atomic Collision Physics
  - User-Friendly Interface
4. Exploring eBook Recommendations from Coherence In Atomic Collision Physics
  - Personalized Recommendations
  - Coherence In Atomic Collision Physics User Reviews and Ratings
  - Coherence In Atomic Collision Physics and Bestseller Lists
5. Accessing Coherence In Atomic Collision Physics Free and Paid eBooks
  - Coherence In Atomic Collision Physics Public Domain eBooks
  - Coherence In Atomic Collision Physics eBook Subscription Services
  - Coherence In Atomic Collision Physics Budget-Friendly Options
6. Navigating Coherence In Atomic Collision Physics eBook Formats

- ePub, PDF, MOBI, and More
  - Coherence In Atomic Collision Physics Compatibility with Devices
  - Coherence In Atomic Collision Physics Enhanced eBook Features
7. Enhancing Your Reading Experience
    - Adjustable Fonts and Text Sizes of Coherence In Atomic Collision Physics
    - Highlighting and Note-Taking Coherence In Atomic Collision Physics
    - Interactive Elements Coherence In Atomic Collision Physics
  8. Staying Engaged with Coherence In Atomic Collision Physics
    - Joining Online Reading Communities
    - Participating in Virtual Book Clubs
    - Following Authors and Publishers Coherence In Atomic Collision Physics
  9. Balancing eBooks and Physical Books Coherence In Atomic Collision Physics
    - Benefits of a Digital Library
    - Creating a Diverse Reading Collection Coherence In Atomic Collision Physics
  10. Overcoming Reading Challenges
    - Dealing with Digital Eye Strain
    - Minimizing Distractions
    - Managing Screen Time
  11. Cultivating a Reading Routine Coherence In Atomic Collision Physics
    - Setting Reading Goals Coherence In Atomic Collision Physics
    - Carving Out Dedicated Reading Time
  12. Sourcing Reliable Information of Coherence In Atomic Collision Physics
    - Fact-Checking eBook Content of Coherence In Atomic Collision Physics
    - Distinguishing Credible Sources
  13. Promoting Lifelong Learning
    - Utilizing eBooks for Skill Development
    - Exploring Educational eBooks
  14. Embracing eBook Trends
    - Integration of Multimedia Elements
    - Interactive and Gamified eBooks

## **Coherence In Atomic Collision Physics Introduction**

Coherence In Atomic Collision Physics Offers over 60,000 free eBooks, including many classics that are in the public domain. Open Library: Provides access to over 1 million free eBooks, including classic literature and contemporary works. Coherence In Atomic Collision Physics Offers a vast collection of books, some of which are available for free as PDF downloads, particularly older books in the public domain. Coherence In Atomic Collision Physics : This website hosts a vast collection of scientific articles, books, and textbooks. While it operates in a legal gray area due to copyright issues, its a popular resource for finding various publications. Internet Archive for Coherence In Atomic Collision Physics : Has an extensive collection of digital content, including books, articles, videos, and more. It has a massive library of free downloadable books. Free-eBooks Coherence In Atomic Collision Physics Offers a diverse range of free eBooks across various genres. Coherence In Atomic Collision Physics Focuses mainly on educational books, textbooks, and business books. It offers free PDF downloads for educational purposes. Coherence In Atomic Collision Physics Provides a large selection of free eBooks in different genres, which are available for download in various formats, including PDF. Finding specific Coherence In Atomic Collision Physics, especially related to Coherence In Atomic Collision Physics, might be challenging as theyre often artistic creations rather than practical blueprints. However, you can explore the following steps to search for or create your own Online Searches: Look for websites, forums, or blogs dedicated to Coherence In Atomic Collision Physics, Sometimes enthusiasts share their designs or concepts in PDF format. Books and Magazines Some Coherence In Atomic Collision Physics books or magazines might include. Look for these in online stores or libraries. Remember that while Coherence In Atomic Collision Physics, sharing copyrighted material without permission is not legal. Always ensure youre either creating your own or obtaining them from legitimate sources that allow sharing and downloading. Library Check if your local library offers eBook lending services. Many libraries have digital catalogs where you can borrow Coherence In Atomic Collision Physics eBooks for free, including popular titles. Online Retailers: Websites like Amazon, Google Books, or Apple Books often sell eBooks. Sometimes, authors or publishers offer promotions or free periods for certain books. Authors Website Occasionally, authors provide excerpts or short stories for free on their websites. While this might not be the Coherence In Atomic Collision Physics full book , it can give you a taste of the authors writing style. Subscription Services Platforms like Kindle Unlimited or Scribd offer subscription-based access to a wide range of Coherence In Atomic Collision Physics eBooks, including some popular titles.

## **FAQs About Coherence In Atomic Collision Physics Books**

1. Where can I buy Coherence In Atomic Collision Physics books? Bookstores: Physical bookstores like Barnes & Noble,

- Waterstones, and independent local stores. Online Retailers: Amazon, Book Depository, and various online bookstores offer a wide range of books in physical and digital formats.
2. What are the different book formats available? Hardcover: Sturdy and durable, usually more expensive. Paperback: Cheaper, lighter, and more portable than hardcovers. E-books: Digital books available for e-readers like Kindle or software like Apple Books, Kindle, and Google Play Books.
  3. How do I choose a Coherence In Atomic Collision Physics book to read? Genres: Consider the genre you enjoy (fiction, non-fiction, mystery, sci-fi, etc.). Recommendations: Ask friends, join book clubs, or explore online reviews and recommendations. Author: If you like a particular author, you might enjoy more of their work.
  4. How do I take care of Coherence In Atomic Collision Physics books? Storage: Keep them away from direct sunlight and in a dry environment. Handling: Avoid folding pages, use bookmarks, and handle them with clean hands. Cleaning: Gently dust the covers and pages occasionally.
  5. Can I borrow books without buying them? Public Libraries: Local libraries offer a wide range of books for borrowing. Book Swaps: Community book exchanges or online platforms where people exchange books.
  6. How can I track my reading progress or manage my book collection? Book Tracking Apps: Goodreads, LibraryThing, and Book Catalogue are popular apps for tracking your reading progress and managing book collections. Spreadsheets: You can create your own spreadsheet to track books read, ratings, and other details.
  7. What are Coherence In Atomic Collision Physics audiobooks, and where can I find them? Audiobooks: Audio recordings of books, perfect for listening while commuting or multitasking. Platforms: Audible, LibriVox, and Google Play Books offer a wide selection of audiobooks.
  8. How do I support authors or the book industry? Buy Books: Purchase books from authors or independent bookstores. Reviews: Leave reviews on platforms like Goodreads or Amazon. Promotion: Share your favorite books on social media or recommend them to friends.
  9. Are there book clubs or reading communities I can join? Local Clubs: Check for local book clubs in libraries or community centers. Online Communities: Platforms like Goodreads have virtual book clubs and discussion groups.
  10. Can I read Coherence In Atomic Collision Physics books for free? Public Domain Books: Many classic books are available for free as they're in the public domain. Free E-books: Some websites offer free e-books legally, like Project Gutenberg or Open Library.

**Find Coherence In Atomic Collision Physics :**

cover for a traitor

coup detat a practical manual

course of act

*country mouse cottage how we lived one hundred years ago*

cowboys gamblers hustlers the true

cowboy artist

coup doeil sur la france

**cours d'automatique tome 1 traitement du signal systames**

country video hall of fame hosted by carl smith

cracker jackson

covered bridge ghost stories

**coward & company**

cpt coding in obstertrics and gynecology 1998 edition

court traitf de sovif tologie f, lusage des autoritf s civiles militaires et religieuses

**country studies in international accounting europe lia**

**Coherence In Atomic Collision Physics :**

**how to add an authorization code to ibm spss statistics through** - May 19 2023

web please send me authorization code or a license code to license ibm spss statistics 20 lock code is 4 26d1f i want to recieve its correct license code spsslicensing

*ibm* - Nov 13 2022

web the spss licence codes for the new licence period 01 10 2022 30 09 2023 are available again in the asknetshop for more information and the links to the items in the webshop

*instructions authorized user license ibm* - Jul 09 2022

web aug 15 2023 live 9 lite license rar logic pro x torrent windows rar malwarebytes offline update download rar download all files from this folder ibm spss 20 license

*ibm united states* - Dec 14 2022

web ibm

**how to download install and license spss software ibm** - Jan 15 2023

web ibm united states

**spss update license code on existing spss installation** - Feb 16 2023

web jun 16 2018 the new and improved ibm spss help and support site is designed to ensure that you have all that require to install and use spss software learn what is

*activation key ibm spss crack v29 1 license code 2023* - Jan 03 2022

*ibm spss partner guide to licensing* - Aug 10 2022

web t o enable ibm spss modeler to use the statistics t ransform statistics model and statistics output nodes you must have a copy of ibm spss statistics installed and

new spss 27 28 29 licence codes available in asknetshop - Oct 12 2022

web apr 23 2019 at the license status screen click next on the product authorization window select the button next to authorized user license i purchased a single copy of

*activate and renew your spss license teamdynamix* - Sep 11 2022

web option where a license code is supplied via email see appendix 1 for law screen shots or the partner can use the license key center to retrieve a license so now let s take

**looking for an authorization license code to license ibm spss** - Apr 18 2023

web dec 7 2020 answer license key is a unique code specific to the product installation and the host device computer where the product is installed to generate a license key

**creating your spss authorization code through the ibm** - Aug 22 2023

web sep 17 2019 answer to generate an authorization code or license key for your spss product you will need to access the license key center if you do not have access

**ibm spss 20 license code free download 4shared** - Jun 08 2022

web ibm spss statistics 30 1 crack with license code 2023 spss statistics related to licensing key usage so as to implement policies that limit access to confidential data

ibm spss amos installation instructions authorized user license - Apr 06 2022

web apr 25 2023 ibm spss statistics 29 1 crack license code latest 2023 posted for freeactivationkeys ibm spss statistics 29 1 crack license code latest ibm spss

**how to generate an authorization or license key for** - Jul 21 2023

web a license code looks like this a1b2c3d4e5f6g7h8i9j0k1l2m3n4o5p6q7r8s9t0u1v2w3x4y5z6a7b8c9d0e1f2g3h4

**authorised user license installation for ibm spss statistics 28 site** - Feb 04 2022

web aug 31 2023 [ibm spss statistics 30 1 crack with license code 2023 spss statistics related to licensing key usage so as to implement policies that limit access to](#)

**ibm spss statistics 29 1 crack license code latest 2023** - Mar 05 2022

web you will need your authorisation code to be able to license the ibm spss statistics 28 site license to install you must be logged on to your computer with administrator

[activating spss license by creating manually license file](#) - Jun 20 2023

web problem how do i add an authorization code to ibm spss statistics through the license authorization wizard resolving the problem 1 start the ibm spss license

[where do i find my spss authorization or license code s ibm](#) - Sep 23 2023

web apr 26 2022 your spss authorization codes can be created and viewed in the ibm spss license key center read this article to learn how to generate and manage your licenses in the ibm spss license key center a license key is created by activating an

*ibm spss statistics 30 1 crack 2023 with license code latest* - May 07 2022

web authorization code you will also need your authorization code s in some cases you might have multiple codes you will need all of them you should have received separate

**how to generate a license key for your spss product ibm** - Mar 17 2023

web mar 6 2015 this document explains how to update the license code on an existing installation of ibm spss statistics software for both mac and windows self help only

*troublemakers english edition by catherine barter* - Mar 09 2023

web edition troublemakers ebook 2000 worldcat troublemakers mental kristid 2020 vinyl discogs troublemakers linkedin troublemakers and trailblazers taking tech to the edge

*troublemakers english edition by catherine barter store sbtexas* - Jan 07 2023

web may 26 2023 troublemakers english edition by catherine barter 8 troublemakers gets grounded edy world edition a j p taylor sabarimala arrested persons were

[troublemakersenglishedition pdf 2022 logs zapiet](#) - Aug 22 2021

web troublemakersenglishedition pdf 1 1 downloaded from logs zapiet com on january 6 2023 by guest

troublemakersenglishedition pdf thank you entirely much for

*troublemaker definition and meaning collins english dictionary* - May 19 2021

web sep 7 2023 troublemaker in american english 'trʌbəl,meɪkər noun a person who causes difficulties distress worry etc for

others esp one who does so habitually as a

*troublemakers english edition by catherine barter cscvirtual* - Aug 02 2022

web jun 26 2023 you could buy tutorial troublemakers english edition by catherine barter or get it as soon as practical thats something that will lead you to understand even

*troublemakers english edition by catherine barter* - Jun 19 2021

web troublemakers english edition by catherine barter troublemakers car club home facebook november 14th 2019 good news amp giveaways like this post share this post

*troublemakers by carla shalaby open library* - Aug 14 2023

web mar 2 2022 troublemakers edit in this dazzling debut carla shalaby a former elementary school teacher explores the everyday lives of four young troublemakers

**teenage mutant ninja turtles mutant mayhem 2023** - Oct 24 2021

web 20 hours ago september 15 2023 08 23 copyright chosunilbo chosun com previous next

**troublemakersenglishedition cert1 hostifi** - Sep 03 2022

web holy troublemakers and unconventional saints look both ways lotta leaves home troublemaker troublemaker getting hotter roll of thunder hear my cry puffin

*hurricane lee packs wide punch across east coast wsj* - Dec 06 2022

web eric niiler sept 15 2023 5 34 am et hurricane lee is expected to make landfall saturday near the u s canada border but its effects are being felt from florida to maine as it

*troublemaker definition in american english collins english* - Jul 01 2022

web sep 11 2023 troublemaker in american english 'trʌbəl,meɪkər noun a person who causes difficulties distress worry etc for others esp one who does so habitually as a

*troublemaker definition cambridge english dictionary* - Nov 05 2022

web troublemaker meaning 1 someone who intentionally causes problems for other people especially people who are in a learn more

**how to say troublemaker in french wordhippo** - Jul 21 2021

web here s a list of translations french translation fauteur de troubles more french words for troublemaker le fauteur de troubles noun agitator stirrer disturber mixer le semeur noun

*troublemaker english meaning cambridge* - Feb 08 2023

web uk 'trʌb ə l,meɪ kə r us 'trʌb ə l,meɪ kə add to word list someone who intentionally causes problems for other people especially people who are in a position of power or

**u s consumer sentiment slides in september outlook improves** - Mar 29 2022

web 2 hours ago the preliminary reading of the university of michigan s consumer sentiment index declined to 67 7 in early september from 69 5 in august economists polled by the

**troublemakers english edition by catherine barter** - Apr 10 2023

web troublemakers says cm a j p taylor troublemakers how a generation of silicon valley upstarts troublemaker definition and meaning collins english 8 troublemakers gets

**troublemakers english edition by catherine barter** - Mar 17 2021

web troublemakers english edition by catherine barter troublemakers and trailblazers taking tech to the edge cnet may 13th 2020 troublemakers and trailblazers taking tech to the

**troublemakers 2018 edition open library** - Jul 13 2023

web troublemakers by catherine barter 2018 lerner publishing group edition in english

*troublemakers english edition by catherine barter jetpack theaoi* - Apr 17 2021

web troublemakers english edition by catherine barter troublemakers the story of land art movies on google play the age of troublemakers ment ekathimerini troublemaker

troublemakers english edition by catherine barter - May 11 2023

web jun 28 2023 troublemakers english edition by catherine barter troublemakers ebook 2000 worldcat known

troublemakers yu gi oh fandom powered by wikia

troublemakersenglishedition full pdf icanlive baxter - Feb 25 2022

web righteous troublemakers roll of thunder hear my cry puffin modern classics troublemaker troublemakers come back to bed holy troublemakers and

troublemaker oxford learner s dictionaries - Oct 04 2022

web troublemaker noun 'trʌblmeɪkə r 'trʌblmeɪkər a person who often causes trouble especially by involving others in arguments or encouraging them to complain about

the present tense is perfect english for history sports - Nov 24 2021

web 3 hours ago letters linguistics professor john o regan on history written in the present tense and simon allen on other documentary annoyances

**troublemakers definition of troublemakers by the free dictionary** - Sep 22 2021

web troublemakers synonyms troublemakers pronunciation troublemakers translation english dictionary definition of troublemakers n one that stirs up trouble or strife

*troublemaker wordreference com dictionary of english* - May 31 2022

web trouble maker er trub əl mā kər n a person who causes difficulties distress worry etc for others esp one who does so habitually as a matter of malice trouble maker 1910 15

**prolonged writers strike tests hollywood s solidarity wsj** - Apr 29 2022

web 6 hours ago netflix co chief executive ted sarandos said the company and other streaming platforms studios and networks were super committed to reaching a deal

**dancing with the stars new season cast is revealed cnn** - Jan 27 2022

web 2 days ago alfonso ribeiro will host along with julianne hough the judges are carrie ann inaba bruno tonioli and derek hough see the full cast and who they are paired with

**troublemaker on steam** - Dec 26 2021

web troublemaker grab a backpack boxing tape and focus on what high school is all about beating the ever loving crap out of one another troublemaker blends favorite action

**troublemakers english edition by catherine barter** - Jun 12 2023

web this troublemakers english edition by catherine barter as one of the greater part running sellers here will wholly be paired with by the best options to review

**egyankosh mcs 034 software engineering** - Apr 15 2022

web module 5 se bca 1 lecture note for software engineering sesa module 1 short 05928 module 3 se bca 1 lecture note for software engineering drawing 3d it s a lecture

**software engineering b tech bca mca notes geektonight** - Mar 27 2023

web 409 rows free subscribe whatsapp group lecture notes study guide subscribe

[software engineering notes veer surendra sai university of](#) - Sep 20 2022

web mar 12 2015 here is the complete notes of object oriented software engineering oose object oriented software engineering notes enables students to understand

[software engineering notes pdf syllabus 2021 b](#) - Feb 23 2023

web software engineering software engineering is an engineering discipline that is concerned with all aspects of software production from the early stages of system

**lecture notes on software engineering course** - Aug 20 2022

web lecture notes on software engineering ooad code mca 201 by asst prof mrs mrs etuari oram asst prof mr sanjib kumar nayak asst prof mr bighnaraj

[mca lecture notes all semester free download technical](#) - Jul 31 2023

software engineering students can easily download free software engineering notes pdf by following the below steps 1 visit

tutorialsduniya.com to download free see more

**object oriented software engineering notes edutechlearners** - Oct 22 2022

web java lab 2 mca notes 36 pages 2022 2023 100 2 2022 2023 100 2 save iot distance measurement report 20 pages 2020 2021 100 1 2020 2021 100 1

software engineering and object oriented modeling - May 17 2022

web sign in software engineering study material pdf google drive sign in

**mca 2020 github pages** - May 29 2023

free software engineering notes pdf provide learners with a flexible and efficient way to study and reference software engineering concepts benefits of these see more

*software engineering free study notes for mba mca bba* - Dec 12 2021

web software engineering study materials for mca students mca s5 17 krishna kanta handiqui state open university housefed complex dispur guwahati 781 006 master skip to

software engineering notes handouts pdf download for mca - Jan 25 2023

web may 5 2023 software engineering explained with notes articles tutorials videos pdf for b tech m tech bca mca cs higher computer science courses and training

mca 2nd semester lecture notes free download technical - Dec 24 2022

web aug 8 2022 1 hi friends here i am sharing high quality notes of the subject software engineering these notes are clear and concise and will definitely help you prepare

software engineering study material pdf google drive - Jun 17 2022

web step 01 identify and describe the input conditions causes and actions effect the causes represented by letter c are as follows c1 the character in column 1 is a c2 the

**s e notes software engineering notes module** - Apr 27 2023

web february 13 2023 by veer software engineering notes for mca are you an mca student and are you searching all over to get a hold of the software engineering

*mca books and notes for 1st 2nd 3rd year in pdf* - Feb 11 2022

web dec 20 2014 software engineering mca ii sarojpandey.com np 2 of 146 references 1 handouts provided by er niraj man shrestha 2005 2 sommerville i software

handwritten se software engineering notes pdf bca - Oct 02 2023

free software engineering notes pdf are provided here for software engineering students so that they can prepare and score high marks in their software engineering exam in these free software engineering notes pdf we will study the fundamental

software engineering approaches and see more

*mca software engineering notes download study* - Jun 29 2023

we have listed the best software engineering reference books that can help in your software engineering exam preparation see more

*mca assign semester i mca vtu studocu* - Nov 22 2022

web 53 rows free study notes ebooks pdf click here to download mca 2nd semester lecture notes free download

*software engineering notes for mca students btech* - Sep 01 2023

software engineering students can easily make use of all these complete software engineering notes pdf by downloading them from below links see more

*software engineering notes for mca pdf gate vidyalay* - Jul 19 2022

web lecture note 1 introduction to software engineering the term software engineering is composed of two words software and engineering software is more

*software engineering mca pdf slideshare* - Mar 15 2022

web master of computer applications mca semester iii mcs 034 software engineering community home page browse collections in this community block 1 overview of

*software engineering for mca mca s5 krishna kanta* - Jan 13 2022

web may 14 2020 download mca books notes in pdf for all semesters master of computer applications mca is a postgraduation course that is intended to reach the

**discrete mathematics handwritten notes pdf download bca 2023** - Nov 10 2021

web aug 1 2015 software system specifications software metrics and measures application systems and design issues software development methods and reuse verification