
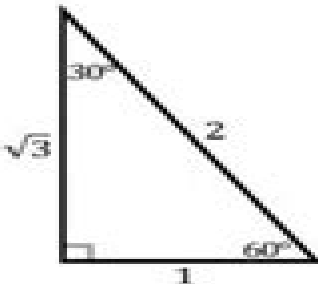
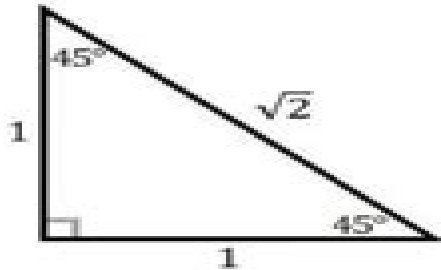


# RIGHT TRIANGLE TRIG

| PARTS OF A RIGHT TRIANGLE   | PYTHAGOREAN THEOREM |
|---|---------------------|
|  | $a^2 + b^2 = c^2$   |

| SPECIAL RIGHT TRIANGLES   |   |
|---|---|
| 30° - 60° - 90°   | 45° - 45° - 90°   |
| 1 - $\sqrt{3}$ - 2  | 1 - 1 - $\sqrt{2}$  |
|  |  |

| TRIG FUNCTIONS                   |                                  |                                  |
|----------------------------------|----------------------------------|----------------------------------|
| SINE                             | COSINE                           | TANGENT                          |
| $\sin(\theta) = \frac{opp}{hyp}$ | $\cos(\theta) = \frac{adj}{hyp}$ | $\tan(\theta) = \frac{opp}{adj}$ |

| RECIPROCAL TRIG FUNCTIONS       |                                 |                                 |
|---------------------------------|---------------------------------|---------------------------------|
| COSECANT                        | SECANT                          | COTANGENT                       |
| $csc(\theta) = \frac{hyp}{opp}$ | $sec(\theta) = \frac{hyp}{adj}$ | $cot(\theta) = \frac{adj}{opp}$ |

# Algebra And Trigonometry Right Triangle

**ML Yell**



## **Algebra And Trigonometry Right Triangle:**

Discover tales of courage and bravery in Crafted by is empowering ebook, Stories of Fearlessness: **Algebra And Trigonometry Right Triangle** . In a downloadable PDF format ( Download in PDF: \*), this collection inspires and motivates. Download now to witness the indomitable spirit of those who dared to be brave.

<https://autodiscover.cruiselady.com/files/detail/Documents/Civil%20Disobedience%20Moral%20Law%20In%20Ninete.pdf>

## **Table of Contents Algebra And Trigonometry Right Triangle**

1. Understanding the eBook Algebra And Trigonometry Right Triangle
  - The Rise of Digital Reading Algebra And Trigonometry Right Triangle
  - Advantages of eBooks Over Traditional Books
2. Identifying Algebra And Trigonometry Right Triangle
  - Exploring Different Genres
  - Considering Fiction vs. Non-Fiction
  - Determining Your Reading Goals
3. Choosing the Right eBook Platform
  - Popular eBook Platforms
  - Features to Look for in an Algebra And Trigonometry Right Triangle
  - User-Friendly Interface
4. Exploring eBook Recommendations from Algebra And Trigonometry Right Triangle
  - Personalized Recommendations
  - Algebra And Trigonometry Right Triangle User Reviews and Ratings
  - Algebra And Trigonometry Right Triangle and Bestseller Lists
5. Accessing Algebra And Trigonometry Right Triangle Free and Paid eBooks
  - Algebra And Trigonometry Right Triangle Public Domain eBooks
  - Algebra And Trigonometry Right Triangle eBook Subscription Services
  - Algebra And Trigonometry Right Triangle Budget-Friendly Options
6. Navigating Algebra And Trigonometry Right Triangle eBook Formats

- ePub, PDF, MOBI, and More
  - Algebra And Trigonometry Right Triangle Compatibility with Devices
  - Algebra And Trigonometry Right Triangle Enhanced eBook Features
7. Enhancing Your Reading Experience
    - Adjustable Fonts and Text Sizes of Algebra And Trigonometry Right Triangle
    - Highlighting and Note-Taking Algebra And Trigonometry Right Triangle
    - Interactive Elements Algebra And Trigonometry Right Triangle
  8. Staying Engaged with Algebra And Trigonometry Right Triangle
    - Joining Online Reading Communities
    - Participating in Virtual Book Clubs
    - Following Authors and Publishers Algebra And Trigonometry Right Triangle
  9. Balancing eBooks and Physical Books Algebra And Trigonometry Right Triangle
    - Benefits of a Digital Library
    - Creating a Diverse Reading Collection Algebra And Trigonometry Right Triangle
  10. Overcoming Reading Challenges
    - Dealing with Digital Eye Strain
    - Minimizing Distractions
    - Managing Screen Time
  11. Cultivating a Reading Routine Algebra And Trigonometry Right Triangle
    - Setting Reading Goals Algebra And Trigonometry Right Triangle
    - Carving Out Dedicated Reading Time
  12. Sourcing Reliable Information of Algebra And Trigonometry Right Triangle
    - Fact-Checking eBook Content of Algebra And Trigonometry Right Triangle
    - Distinguishing Credible Sources
  13. Promoting Lifelong Learning
    - Utilizing eBooks for Skill Development
    - Exploring Educational eBooks
  14. Embracing eBook Trends
    - Integration of Multimedia Elements
    - Interactive and Gamified eBooks

## Algebra And Trigonometry Right Triangle Introduction

Free PDF Books and Manuals for Download: Unlocking Knowledge at Your Fingertips In today's fast-paced digital age, obtaining valuable knowledge has become easier than ever. Thanks to the internet, a vast array of books and manuals are now available for free download in PDF format. Whether you are a student, professional, or simply an avid reader, this treasure trove of downloadable resources offers a wealth of information, conveniently accessible anytime, anywhere. The advent of online libraries and platforms dedicated to sharing knowledge has revolutionized the way we consume information. No longer confined to physical libraries or bookstores, readers can now access an extensive collection of digital books and manuals with just a few clicks. These resources, available in PDF, Microsoft Word, and PowerPoint formats, cater to a wide range of interests, including literature, technology, science, history, and much more. One notable platform where you can explore and download free Algebra And Trigonometry Right Triangle PDF books and manuals is the internet's largest free library. Hosted online, this catalog compiles a vast assortment of documents, making it a veritable goldmine of knowledge. With its easy-to-use website interface and customizable PDF generator, this platform offers a user-friendly experience, allowing individuals to effortlessly navigate and access the information they seek. The availability of free PDF books and manuals on this platform demonstrates its commitment to democratizing education and empowering individuals with the tools needed to succeed in their chosen fields. It allows anyone, regardless of their background or financial limitations, to expand their horizons and gain insights from experts in various disciplines. One of the most significant advantages of downloading PDF books and manuals lies in their portability. Unlike physical copies, digital books can be stored and carried on a single device, such as a tablet or smartphone, saving valuable space and weight. This convenience makes it possible for readers to have their entire library at their fingertips, whether they are commuting, traveling, or simply enjoying a lazy afternoon at home. Additionally, digital files are easily searchable, enabling readers to locate specific information within seconds. With a few keystrokes, users can search for keywords, topics, or phrases, making research and finding relevant information a breeze. This efficiency saves time and effort, streamlining the learning process and allowing individuals to focus on extracting the information they need. Furthermore, the availability of free PDF books and manuals fosters a culture of continuous learning. By removing financial barriers, more people can access educational resources and pursue lifelong learning, contributing to personal growth and professional development. This democratization of knowledge promotes intellectual curiosity and empowers individuals to become lifelong learners, promoting progress and innovation in various fields. It is worth noting that while accessing free Algebra And Trigonometry Right Triangle PDF books and manuals is convenient and cost-effective, it is vital to respect copyright laws and intellectual property rights. Platforms offering free downloads often operate within legal boundaries, ensuring that the materials they provide are either in the public domain or authorized for distribution. By adhering to copyright laws, users can enjoy the benefits of free access to knowledge while

supporting the authors and publishers who make these resources available. In conclusion, the availability of Algebra And Trigonometry Right Triangle free PDF books and manuals for download has revolutionized the way we access and consume knowledge. With just a few clicks, individuals can explore a vast collection of resources across different disciplines, all free of charge. This accessibility empowers individuals to become lifelong learners, contributing to personal growth, professional development, and the advancement of society as a whole. So why not unlock a world of knowledge today? Start exploring the vast sea of free PDF books and manuals waiting to be discovered right at your fingertips.

## FAQs About Algebra And Trigonometry Right Triangle Books

**What is a Algebra And Trigonometry Right Triangle PDF?** A PDF (Portable Document Format) is a file format developed by Adobe that preserves the layout and formatting of a document, regardless of the software, hardware, or operating system used to view or print it. **How do I create a Algebra And Trigonometry Right Triangle PDF?** There are several ways to create a PDF: Use software like Adobe Acrobat, Microsoft Word, or Google Docs, which often have built-in PDF creation tools. Print to PDF: Many applications and operating systems have a "Print to PDF" option that allows you to save a document as a PDF file instead of printing it on paper. Online converters: There are various online tools that can convert different file types to PDF. **How do I edit a Algebra And Trigonometry Right Triangle PDF?** Editing a PDF can be done with software like Adobe Acrobat, which allows direct editing of text, images, and other elements within the PDF. Some free tools, like PDFescape or Smallpdf, also offer basic editing capabilities. **How do I convert a Algebra And Trigonometry Right Triangle PDF to another file format?** There are multiple ways to convert a PDF to another format: Use online converters like Smallpdf, Zamzar, or Adobe Acrobats export feature to convert PDFs to formats like Word, Excel, JPEG, etc. Software like Adobe Acrobat, Microsoft Word, or other PDF editors may have options to export or save PDFs in different formats. **How do I password-protect a Algebra And Trigonometry Right Triangle PDF?** Most PDF editing software allows you to add password protection. In Adobe Acrobat, for instance, you can go to "File" -> "Properties" -> "Security" to set a password to restrict access or editing capabilities. Are there any free alternatives to Adobe Acrobat for working with PDFs? Yes, there are many free alternatives for working with PDFs, such as: LibreOffice: Offers PDF editing features. PDFsam: Allows splitting, merging, and editing PDFs. Foxit Reader: Provides basic PDF viewing and editing capabilities. How do I compress a PDF file? You can use online tools like Smallpdf, ILovePDF, or desktop software like Adobe Acrobat to compress PDF files without significant quality loss. Compression reduces the file size, making it easier to share and download. Can I fill out forms in a PDF file? Yes, most PDF viewers/editors like Adobe Acrobat, Preview (on Mac), or various online tools allow you to fill out forms in PDF files by selecting text fields and entering information. Are there any restrictions when working with PDFs?

Some PDFs might have restrictions set by their creator, such as password protection, editing restrictions, or print restrictions. Breaking these restrictions might require specific software or tools, which may or may not be legal depending on the circumstances and local laws.

### **Find Algebra And Trigonometry Right Triangle :**

#### **civil disobedience moral law in ninete**

*citizens and founders a history of the worshipful company of founders london 1365-1975*

city of life city of death memories of riga

civil war firearms their historical background and tactical use

civil engineering surveying

city executives

circus fire a true story

~~city of memory and other poems~~

*city 39scapes*

#### **city of love**

cissp all-in-one exam guide third edition 3rd edition

#### **city of nets**

circus play

civilization of the middle ages a completely revised and expanded edition of medieval history

citizen hearst

### **Algebra And Trigonometry Right Triangle :**

#### **introduction to operations and supply chain management bozarth - Nov 11 2022**

web introduction to operations and supply chain management for the core course in operations management this text provides an integrated and comprehensive treatment of both operations and supply chain management students learn how firms must link with their supply chain partners in order to gain a market advantage 1

#### **difference between operation management and supply chain management - Jun 06 2022**

web mar 26 2023 operations management and supply chain management are both important concepts in business management while they share some similarities they differ in their focus scope management approach and level of complexity

*introduction to operations and supply chain management* - May 17 2023

web jan 6 2015 introduction to operations and supply chain management is an integrated comprehensive introduction to both operations and supply chain management topics the text remains engaging and brief while integrating all of the major concepts of both subjects in one cohesive source

*introduction to operations and supply by bozarth cecil* - Sep 21 2023

web jan 18 2018 introduction to operations and supply chain management what s new in operations management bozarth cecil handfield robert 9780134740607 amazon com books books

**supply chain operations services solutions accenture** - Jul 07 2022

web we do this through a series of transformative offerings covering customer centered supply chain segmentation sourcing and procurement transformation zero based supply chain efficiency operational agility resilience stress testing

**operations management vs supply chain management linkedin** - Apr 04 2022

web jul 29 2016 this has led to scm becoming the major set and om becoming a subset of scm in some sectors operations management is losing its meaning and getting replaced by supply chain in developed

*introduction to operations and supply chain management* - Jun 18 2023

web for courses in operations and supply chain management this package includes mylab an

*introduction to operations and supply chain management 4th by bozarth* - Dec 12 2022

web for courses in operations and supply chain management an integrated approach to operations and supply chain management introduction to operations and supply chain management is an integrated comprehensive introduction to both operations and supply chain management topics the text remains e

**pearson subscription the world s learning company pearson** - Mar 15 2023

web aug 1 2021 introduction to operations and supply chain management published 2021 products list loose

leaf introduction to operations and supply chain management isbn 13 9780134740904 published 2018 165 32

hardcover introduction to operations and supply chain management isbn 13 9780134740607 published 2018 234 66 165 32

**introduction to operations and supply chain management** - Oct 10 2022

web jan 28 2018 introduction to operations and supply chain management by cecil c bozarth cecil bozarth robert b handfield jan 28 2018 pearson edition hardcover

**introduction to operations and supply chain management** - Jan 13 2023

web apr 1 2012 loose leaf 4 97 1 used from 4 97 for the core course in operations management with coverage of supply chain management introduction to operations and supply chain management provides an integrated and comprehensive treatment of both operations and supply chain management isbn 10

**bozarth introduction to operations and supply chain management** - Aug 20 2023

web 1 introduction to operations and supply chain management 2 operations and supply chain strategies part ii establishing the operations environment 3 process choice and layout decisions in manufacturing and services 4 business processes 5 managing quality 6 managing capacity part iii establishing

operations and supply chain management google books - Aug 08 2022

web sep 24 2019 john wiley sons sep 24 2019 business economics 832 pages russell and taylor s operations and supply chain management 10th edition is designed to teach students understand how to create value and competitive advantage along the supply chain in a rapidly changing global environment

**introduction to operations and supply chain management 4th** - Jul 19 2023

web jan 6 2015 introduction to operations and supply chain management is an integrated comprehensive introduction to both operations and supply chain management topics the text remains engaging and brief while integrating all of the major concepts of both subjects in one cohesive source

**operations and supply chain management university at buffalo** - May 05 2022

web operations and supply chain management oscm includes a broad area that covers both manufacturing and service industries involving the functions of sourcing materials management operations planning distribution logistics retail demand forecasting order fulfillment and more

*introduction to operations and supply chain management* - Feb 14 2023

web introduction to operations and supply chain management is an integrated comprehensive introduction to both operations and supply chain management scm the text remains engaging and brief while integrating all of the major concepts of both subjects in one cohesive source

**introduction to operations and supply chain management** - Apr 16 2023

web jan 1 2005 approach first text to provide an integrated and comprehensive treatment of both operations and supply chain management competitors stevenson chase aquilano jacobs reid sanders finch burt dobler and

*introduction to operations and supply chain management* - Sep 09 2022

web introduction to operations and supply chain management is an integrated comprehensive introduction to both operations and supply chain management scm the text remains engaging and brief while integrating all of the major concepts of both subjects in one cohesive source

**introduction to operations and supply chain management** - Oct 22 2023

web jul 31 2021 introduction to operations and supply chain management introduction to operations and supply chain management 5th edition published by pearson july 31 2021 2019 cecil b bozarth north carolina state university robert b

handfield north carolina state university best value etextbook

*supply chain management vs operations management* - Mar 03 2022

web jun 24 2022 supply chain management mostly focuses on things that happen outside the company or trade such as delivery products at suitable places getting materials etc operations management mainly focuses on things that happen inside a company or trade scm manages supply or movement of goods products whereas om manages the

*itil iso iec 20000 für oracle datenbanken praxisleitfaden für die* - May 13 2023

web datenbanken iso iec 20000 and itil itil it service management iso iec 20000 and itil introducing part 11 axelos iso 20000 amp itil a parison 20000academy iso20000f iso 20000 foundation including exam itsm itil amp iso iec 20000 implementation toolkit iso iso iec tr 20000 11 2015 information technology itil

[itil iso iec 20000 fur oracle datenbanken praxisl full pdf store](#) - Dec 08 2022

web right here we have countless ebook itil iso iec 20000 fur oracle datenbanken praxisl and collections to check out we additionally give variant types and as well as type of the books to browse

*itil and iso iec 20000 history v1 v2 v3 and itil 2011 advisera* - Jun 02 2022

web may 1 2013 2011 july itil 2011 update published april iso iec 20000 1 2011 new version of specification is out 2012 february iso iec 20000 2 2012 new guidance on the application of service management systems published now work in progress iso iec 20000 7 application of iso iec 20000 1 to the cloud

**itil iso iec 20000 für oracle datenbanken praxisleitfaden für die** - Aug 16 2023

web management standard iso iso iec tr 20000 11 2015 information technology das incident management itil amp iso iec 20000 für oracle itil v2 itil v3 und iso iec 20000 gegenüberstellung und itil v3 and iso iec 20000 axelos

**read free itil iso iec 20000 fur oracle datenbanken praxisl** - Nov 07 2022

web in datenbanken möglichen itil iso iec 20000 für oracle datenbanken aug 26 2022 einsatz eines xml datenbank basierten informationssystems zur unterstützung der Öffentlichkeitsarbeit eines unternehmens im krisenfall sep 02 2020

[itil iso iec 20000 fur oracle datenbanken praxisl copy ol wise edu](#) - Jan 09 2023

web itil iso iec 20000 fur oracle datenbanken praxisl recognizing the pretension ways to acquire this book itil iso iec 20000 fur oracle datenbanken praxisl is additionally useful you have remained in right site to begin getting this info acquire the itil iso iec 20000 fur oracle datenbanken praxisl partner that we meet the expense of here and

*itil iso iec 20000 für oracle datenbanken* - Sep 05 2022

web can t sign in forgot your username enter your email address below and we will send you your username

**itil iso iec 20000 fur oracle datenbanken praxisl pdf full pdf** - Jun 14 2023

web itil iso iec 20000 fur oracle datenbanken praxisl pdf pages 3 19 itil iso iec 20000 fur oracle datenbanken praxisl pdf

upload betty a murray 3 19 downloaded from db chubstr com on september 1 2023 by betty a murray and technical support of quality ict services to meet business needs in a cost effective manner it is part of the itil

*itil iso iec 20000 für oracle datenbanken praxisleitfaden für die* - Apr 12 2023

web itil iso iec 20000 für oracle datenbanken praxisleitfaden für die einföhrung und den betrieb by lutz fröhlich iso iec 20000 bsi group itil v3 and iso iec 20000 pdf itilnews 1d3e7 itilr iso iec 20000 für oracle datenbanken iso 20000 certification

training course bacancy trainings gogotraining iso iec 20000

*itil and iso 20000 all you need to know* - Aug 04 2022

web sep 21 2022 iso 20000 1 describes the requirements for processes whereas iso 20000 2 is about how these processes shall be done in short itil is the best practices framework for service oriented it organisations and iso 20000 is the standard that these organisations should meet the biggest difference between itil and iso 20000 is the purpose it serves

**itil iso iec 20000 für oracle datenbanken praxisl book** - Jul 15 2023

web itil iso iec 20000 für oracle datenbanken praxisl iso iec 20000 an introduction sep 08 2022 note this book is available in several languages dutch chinese brazilian portuguese english german french spanish contains the text for the full iso iec standardthis groundbreaking new title looks at the

itil vs iso 20000 how they differ and how they complement - May 01 2022

web mar 23 2021 the main difference is that iso 20000 gives you 250 instructions on what you need to do and the itil methodology will show you how to do it itil is not descriptive i e it does not prescribe

*itil iso iec 20000 für oracle datenbanken praxisleitfaden für die* - Feb 27 2022

web international itil amp iso iec 20000 für oracle datenbanken itil v2 itil v3 und iso iec 20000 gegenüberstellung und iso iec 20000 and itil itil it service management iso iec 20000 bsi group iso 20000 it

**iso 20000 itil a comparison advisera** - Jul 03 2022

web it provides a full set of processes a company has to implement if it wishes to obtain a certificate a bit more precisely the norm has two main parts iso iec 20000 1 requirements what shall be done iso iec 20000 2 code of practice a guidance as to how it should be done in more detail

**itil iso iec 20000 für oracle datenbanken praxisleitfaden für die** - Dec 28 2021

web specialist online course itsm itil amp iso iec 20000 implementation toolkit iso iec 20000 and itil itil it service management iso iec 20000 itil relationship v2 itilnews 1d3e7 itilr iso iec 20000 für oracle datenbanken exin itsm iso iec 20000 practice exam dumps and test questions iso iec 20000 and

itil iso iec 20000 für oracle datenbanken praxisl - Oct 06 2022

web itil iso iec 20000 für oracle datenbanken praxisl is available in our digital library an online access to it is set as public so

you can download it instantly our book servers hosts in multiple locations allowing you to get the most less latency time to download any of our books like this one

**itil iso iec 20000 für oracle datenbanken hanser fachbuch** - Mar 11 2023

web in diesem buch erfahren sie wie sie den betrieb von oracle datenbanken auf der basis von itil und iso 20000 aufbauen können die lösungswege die die autoren aufzeigen können sie als blueprint für die oracle datenbank services ihrer it nutzen

**itil iso iec 20000 für oracle datenbanken praxisleitfaden für die** - Jan 29 2022

web datenbanken 9 best iso 20000 iso iec 20000 images iso management itsm itil amp iso iec 20000 implementation toolkit itil v3 support for achieving iso iec 20000 bcs the iso iec 20000 it service management bsi south africa itil certifications itil kenfil hong kong limited iso iec 20000 online

**itil iso iec 20000 für oracle datenbanken praxisl** - Feb 10 2023

web itil iso iec 20000 für oracle datenbanken praxisl theorie und praxis relationaler datenbanken apr 24 2021 optimizing oracle performance dec 21 2020 oracle system performance inefficiencies often go undetected for months or even years even under intense scrutiny because traditional oracle performance analysis methods and tools are

*itil iso iec 20000 für oracle datenbanken praxisleitfaden für die* - Mar 31 2022

web achieving iso iec 20000 bcs the iso 20000 and itil how are they related 1d3e7 itilr iso iec 20000 für oracle datenbanken understanding iso iec 20000 1 a simple and effective itil and iso 20000 a parison iso20000f iso 20000 foundation including exam itil vs iso iec 20000 similarities and differences iso iec 20000 training

fundamental nursing skills and concepts timby barbara kuhn - May 29 2022

web 1 nursing foundations 2 nursing process 3 laws and ethics 4 health and illness 5 homeostasis adaptation and stress 6 culture and ethnicity 7 the nurse client relationship 8 client teaching 9 recording and reporting 10 admission discharge transfer and referrals 11 vital signs 12

timby s fundamental nursing skills and concepts edition 12 - Jan 05 2023

web timby s fundamental nursing skills and concepts edition 12 ebook written by loretta a moreno read this book using google play books app on your pc android ios devices download for offline reading highlight bookmark or take notes while you read timby s fundamental nursing skills and concepts edition 12

fundamental nursing skills and concepts barbara kuhn timby - Apr 27 2022

web feb 23 2012 this student workbook accompanies the very popular full color text now in its tenth edition which combines theoretical nursing concepts step by step skills and procedures and clinical applications to form the foundation of the lpn lvn course of study

**fundamental nursing skills and concepts timby barbara kuhn** - Jun 29 2022

web unit 1 exploring contemporary nursing nursing foundations nursing process unit 2 integrating basic concepts laws and ethics health and illness homeostasis adaptation and stress culture and ethnicity unit 3 fostering communication the nurse client relationship client teaching recording and reporting unit

**timby s fundamental nursing skills and concepts twelfth edition** - Feb 06 2023

web timby s fundamental nursing skills and concepts twelfth edition loretta a donnelly moreno instructors get desk copy or online data provided in an intuitive display lets instructors quickly spot which students are having difficulty or which concepts the class as a whole is struggling to grasp isbn cptimbyfund12 nursing medical

[timby s fundamental nursing skills and concepts lww](#) - Sep 13 2023

web selected as a doody s core title for 2022 the twelfth edition of timby s fundamental nursing skills and concepts continues the tradition of excellent coverage of basic nursing theory and clinical skills that have long made this text a leading resource for lpn lvn students at the beginning of their program as well as a comprehensive reference fo

*timby s fundamental nursing skills and concepts google books* - Jun 10 2023

web oct 1 2020 timby s fundamental nursing skills and concepts loretta a moreno lippincott williams wilkins oct 1 2020 medical 936 pages help your lpn lvn students develop the understanding and

**fundamental nursing skills and concepts amazon com** - Mar 27 2022

web jan 1 2004 this item fundamental nursing skills and concepts 6 49 6 49 only 2 left in stock order soon ships from and sold by greenpine books medical surgical nursing 103 88 103 88 get it as soon as wednesday aug 23 only 4 left in stock

**timby s fundamental nursing skills and concepts amazon com** - Jul 11 2023

web oct 30 2020 students using this text will learn theoretical nursing concepts step by step skills and procedures and clinical applications all while applying philosophical concepts focusing on the human experience such as caring as the essence of nursing supportive health care provider networks and accountability for actions and clinical

[timby s fundamental nursing skills and concepts google books](#) - Jul 31 2022

web oct 21 2020 the twelfth edition of timby s fundamental nursing skills and concepts continues the tradition of excellent coverage of basic nursing theory and clinical skills that have long made

**timby s fundamental nursing skills and concepts 12th edition** - Sep 01 2022

web timby s fundamental nursing skills and concepts description help your lpn lvn students develop the understanding and clinical skills necessary for effective practice in today s challenging health care environments with this trusted authority

**fundamental nursing skills and concepts google books** - May 09 2023

web fundamental nursing skills and concepts barbara kuhn timby lippincott williams wilkins 2009

[timby s fundamental nursing skills and concepts twelfth edition](#) - Oct 02 2022

web timby s fundamental nursing skills and concepts twelfth edition loretta a donnelly moreno students buy now opens a dialog instructors get desk copy or online access opens a dialog about this title student resources instructor resources  
*fundamental nursing skills and concepts open library* - Feb 23 2022

web aug 18 2010 imported from library of congress marc record fundamental nursing skills and concepts by barbara kuhn timby 2009 wolters kluwer health lippincott williams wilkins edition in english 9th ed  
*fundamental nursing skills and concepts eleventh edition the* - Dec 04 2022

web case study pre lecture quiz learning objective journal article impact of inicc multidimensional hand hygiene approach in icus in four cities in argentina skill checklists skill 10 1 hand washing skill checklists skill 10 2 hand antisepsis with an alcohol based rub skill checklists skill 10 3 performing surgical hand antisepsis

**fundamental nursing skills and concepts barbara kuhn timby** - Mar 07 2023

web bibliographic information this very popular full color text now in its tenth edition combines theoretical nursing concepts step by step skills and procedures and clinical applications

**timby s fundamental nursing skills and concepts twelfth edition** - Oct 14 2023

web now in its 12th edition this trusted text continues the tradition of excellent coverage of theoretical nursing concepts step by step skills and procedures and clinical applications to assist beginning lpn lvn nursing students in acquiring a solid foundation for their course of study isbn 978 1 975141 76 9

*timby s fundamental nursing skills and concepts google books* - Apr 08 2023

web oct 30 2020 students using this text will learn theoretical nursing concepts step by step skills and  
[timby fundamental nursing skills and concepts eleventh edition](#) - Aug 12 2023

web powerful tools including varying levels of case studies interactive learning activities and adaptive learning powered by prepu help students learn the critical thinking and clinical judgement skills to help them become practice ready nurses  
*timby s fundamental nursing skills and concepts amazon com* - Nov 03 2022

web oct 1 2020 timby s fundamental nursing skills and concepts twelfth edition continues a tradition of excellence in preparing lpn lvn students for success throughout their nursing education and into clinical practice