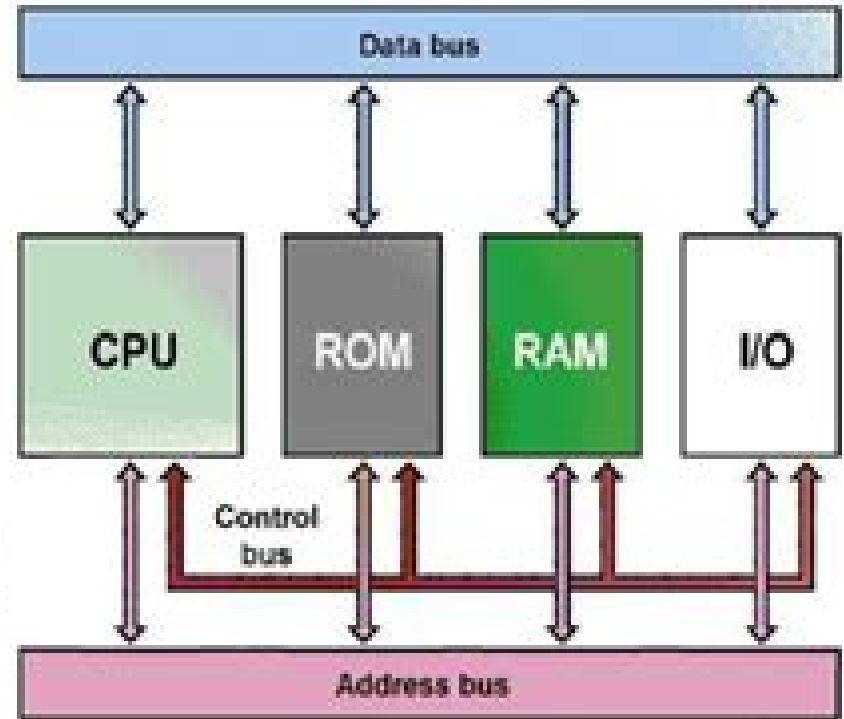


Architecture and components of computer systems.



Computer Architecture

Hongru Du



Computer Architecture:

Decoding **Computer Architecture**: Revealing the Captivating Potential of Verbal Expression

In a time characterized by interconnectedness and an insatiable thirst for knowledge, the captivating potential of verbal expression has emerged as a formidable force. Its power to evoke sentiments, stimulate introspection, and incite profound transformations is genuinely awe-inspiring. Within the pages of "**Computer Architecture**," a mesmerizing literary creation penned by a celebrated wordsmith, readers embark on an enlightening odyssey, unraveling the intricate significance of language and its enduring impact on our lives. In this appraisal, we shall explore the book's central themes, evaluate its distinctive writing style, and gauge its pervasive influence on the hearts and minds of its readership.

https://autodiscover.cruiselady.com/results/browse/default.aspx/christmas_deck_the_tree.pdf

Table of Contents Computer Architecture

1. Understanding the eBook Computer Architecture
 - The Rise of Digital Reading Computer Architecture
 - Advantages of eBooks Over Traditional Books
2. Identifying Computer Architecture
 - Exploring Different Genres
 - Considering Fiction vs. Non-Fiction
 - Determining Your Reading Goals
3. Choosing the Right eBook Platform
 - Popular eBook Platforms
 - Features to Look for in an Computer Architecture
 - User-Friendly Interface
4. Exploring eBook Recommendations from Computer Architecture
 - Personalized Recommendations
 - Computer Architecture User Reviews and Ratings
 - Computer Architecture and Bestseller Lists

5. Accessing Computer Architecture Free and Paid eBooks
 - Computer Architecture Public Domain eBooks
 - Computer Architecture eBook Subscription Services
 - Computer Architecture Budget-Friendly Options
6. Navigating Computer Architecture eBook Formats
 - ePub, PDF, MOBI, and More
 - Computer Architecture Compatibility with Devices
 - Computer Architecture Enhanced eBook Features
7. Enhancing Your Reading Experience
 - Adjustable Fonts and Text Sizes of Computer Architecture
 - Highlighting and Note-Taking Computer Architecture
 - Interactive Elements Computer Architecture
8. Staying Engaged with Computer Architecture
 - Joining Online Reading Communities
 - Participating in Virtual Book Clubs
 - Following Authors and Publishers Computer Architecture
9. Balancing eBooks and Physical Books Computer Architecture
 - Benefits of a Digital Library
 - Creating a Diverse Reading Collection Computer Architecture
10. Overcoming Reading Challenges
 - Dealing with Digital Eye Strain
 - Minimizing Distractions
 - Managing Screen Time
11. Cultivating a Reading Routine Computer Architecture
 - Setting Reading Goals Computer Architecture
 - Carving Out Dedicated Reading Time
12. Sourcing Reliable Information of Computer Architecture
 - Fact-Checking eBook Content of Computer Architecture
 - Distinguishing Credible Sources
13. Promoting Lifelong Learning

- Utilizing eBooks for Skill Development
 - Exploring Educational eBooks
14. Embracing eBook Trends
- Integration of Multimedia Elements
 - Interactive and Gamified eBooks

Computer Architecture Introduction

In today's digital age, the availability of Computer Architecture books and manuals for download has revolutionized the way we access information. Gone are the days of physically flipping through pages and carrying heavy textbooks or manuals. With just a few clicks, we can now access a wealth of knowledge from the comfort of our own homes or on the go. This article will explore the advantages of Computer Architecture books and manuals for download, along with some popular platforms that offer these resources. One of the significant advantages of Computer Architecture books and manuals for download is the cost-saving aspect. Traditional books and manuals can be costly, especially if you need to purchase several of them for educational or professional purposes. By accessing Computer Architecture versions, you eliminate the need to spend money on physical copies. This not only saves you money but also reduces the environmental impact associated with book production and transportation. Furthermore, Computer Architecture books and manuals for download are incredibly convenient. With just a computer or smartphone and an internet connection, you can access a vast library of resources on any subject imaginable. Whether you're a student looking for textbooks, a professional seeking industry-specific manuals, or someone interested in self-improvement, these digital resources provide an efficient and accessible means of acquiring knowledge. Moreover, PDF books and manuals offer a range of benefits compared to other digital formats. PDF files are designed to retain their formatting regardless of the device used to open them. This ensures that the content appears exactly as intended by the author, with no loss of formatting or missing graphics. Additionally, PDF files can be easily annotated, bookmarked, and searched for specific terms, making them highly practical for studying or referencing. When it comes to accessing Computer Architecture books and manuals, several platforms offer an extensive collection of resources. One such platform is Project Gutenberg, a nonprofit organization that provides over 60,000 free eBooks. These books are primarily in the public domain, meaning they can be freely distributed and downloaded. Project Gutenberg offers a wide range of classic literature, making it an excellent resource for literature enthusiasts. Another popular platform for Computer Architecture books and manuals is Open Library. Open Library is an initiative of the Internet Archive, a non-profit organization dedicated to digitizing cultural artifacts and making them accessible to the public. Open Library hosts millions of books, including both public domain works and contemporary titles. It also allows users to borrow digital copies of certain books for a limited

period, similar to a library lending system. Additionally, many universities and educational institutions have their own digital libraries that provide free access to PDF books and manuals. These libraries often offer academic texts, research papers, and technical manuals, making them invaluable resources for students and researchers. Some notable examples include MIT OpenCourseWare, which offers free access to course materials from the Massachusetts Institute of Technology, and the Digital Public Library of America, which provides a vast collection of digitized books and historical documents. In conclusion, Computer Architecture books and manuals for download have transformed the way we access information. They provide a cost-effective and convenient means of acquiring knowledge, offering the ability to access a vast library of resources at our fingertips. With platforms like Project Gutenberg, Open Library, and various digital libraries offered by educational institutions, we have access to an ever-expanding collection of books and manuals. Whether for educational, professional, or personal purposes, these digital resources serve as valuable tools for continuous learning and self-improvement. So why not take advantage of the vast world of Computer Architecture books and manuals for download and embark on your journey of knowledge?

FAQs About Computer Architecture Books

1. Where can I buy Computer Architecture books? Bookstores: Physical bookstores like Barnes & Noble, Waterstones, and independent local stores. Online Retailers: Amazon, Book Depository, and various online bookstores offer a wide range of books in physical and digital formats.
2. What are the different book formats available? Hardcover: Sturdy and durable, usually more expensive. Paperback: Cheaper, lighter, and more portable than hardcovers. E-books: Digital books available for e-readers like Kindle or software like Apple Books, Kindle, and Google Play Books.
3. How do I choose a Computer Architecture book to read? Genres: Consider the genre you enjoy (fiction, non-fiction, mystery, sci-fi, etc.). Recommendations: Ask friends, join book clubs, or explore online reviews and recommendations. Author: If you like a particular author, you might enjoy more of their work.
4. How do I take care of Computer Architecture books? Storage: Keep them away from direct sunlight and in a dry environment. Handling: Avoid folding pages, use bookmarks, and handle them with clean hands. Cleaning: Gently dust the covers and pages occasionally.
5. Can I borrow books without buying them? Public Libraries: Local libraries offer a wide range of books for borrowing. Book Swaps: Community book exchanges or online platforms where people exchange books.

6. How can I track my reading progress or manage my book collection? Book Tracking Apps: Goodreads, LibraryThing, and Book Catalogue are popular apps for tracking your reading progress and managing book collections. Spreadsheets: You can create your own spreadsheet to track books read, ratings, and other details.
7. What are Computer Architecture audiobooks, and where can I find them? Audiobooks: Audio recordings of books, perfect for listening while commuting or multitasking. Platforms: Audible, LibriVox, and Google Play Books offer a wide selection of audiobooks.
8. How do I support authors or the book industry? Buy Books: Purchase books from authors or independent bookstores. Reviews: Leave reviews on platforms like Goodreads or Amazon. Promotion: Share your favorite books on social media or recommend them to friends.
9. Are there book clubs or reading communities I can join? Local Clubs: Check for local book clubs in libraries or community centers. Online Communities: Platforms like Goodreads have virtual book clubs and discussion groups.
10. Can I read Computer Architecture books for free? Public Domain Books: Many classic books are available for free as they're in the public domain. Free E-books: Some websites offer free e-books legally, like Project Gutenberg or Open Library.

Find Computer Architecture :

~~christmas deck the tree~~

~~christopher columbus usborne famous lives~~

~~christian executive~~

~~christian faith and natural science~~

~~christians journey pt 2 a victorian childrens story based on john bunyans pilgrims progress~~

~~christian in society ii~~

~~christian images in hispanic new mexico. the taylor museum collection of santos.~~

~~christmas sunshine~~

~~christian character participant guide learn it live it bible studies~~

~~christs way of making disciples~~

~~christmas princess sticker paper doll~~

~~christinas conquest christina van bell ser.~~

~~christmas carol adapted for theater~~

~~christmas-colt~~

christian cullen life on the run

Computer Architecture :

pons begriffsklärung wikipedia - Feb 27 2022

web pons begriffsklärung pons lateinisch für brücke steht für pons teil des gehirns pons familienname familienname zu namensträgern siehe dort pons adelsgeschlecht französische adelsfamilie pons verlag verlag für online wörterbücher sprachkurse grammatiken lernhilfen für schüler pons racing motorsportteam

pons grammatik auf einen blick französisch kompakte - Mar 11 2023

web pons grammatik auf einen blick französisch kompakte Übersicht grammatikregeln nachschlagen 8 amazon nl boeken

pons grammatik auf einen blick französisch kompakte - Jul 15 2023

web pons grammatik auf einen blick französisch kompakte Übersicht grammatikregeln nachschlagen pons auf einen blick isbn 9783125607033 kostenloser versand für alle bücher mit versand und verkauf duch amazon

pons grammatik auf einen blick französisch pons auf einen blick - May 13 2023

web die ganze französische grammatik auf einen blick alle wichtigen grammatischen themen auf einen blick zum schnellen nachschlagen und lernen neu alle wichtigen grammatischen fachbegriffe mit definitionen und beispielen zum herunterladen und

pons shop französisch grammatik - Jun 14 2023

web woche für woche 16 95 buch pons grammatik üben in bildern französisch jeder kann grammatik lernen mit über 160 visuellen Übungen 12 99 buch pons verben zeiten trainieren französisch in 200 Übungen verbformen richtig bilden und sicher anwenden 12 95 buch pons das große trainingsbuch französisch

pons basiswortschatz auf einen blick französisch pons auf einen blick - Jul 03 2022

web pons basiswortschatz auf einen blick französisch pons auf einen blick langensbach isabelle isbn 9783125626904 kostenloser versand für alle bücher mit versand und verkauf duch amazon

pons grammatik auf einen blick französisch 8 softcover - Oct 06 2022

web zustand neu neu die ganze französische grammatik auf einen blick alle wichtigen grammatischen themen auf einen blick zum schnellen nachschlagen und lernen neu alle wichtigen grammatischen fachbegriffe mit definitionen und beispielen zum herunterladen und ausdrucken

[pons französisch auf einen blick amazon de](#) - Jan 09 2023

web pons französisch auf einen blick 6 klasse kompakte Übersicht grammatik kommunikation wortschatz und aussprache

nachschlagen rousseau pascale isbn 9783125610262 kostenloser versand für alle bücher

ponsgrammatikaufeinenblickfranzösischkompak ice liberata - Mar 31 2022

web pons grammatik auf einen blick französisch green line grammar girl presents the ultimate writing guide for students 501

german verbs auf einen blick pons rechtschreibung zeichensetzung deutsch pons japanese is a wonderful language very different from european languages it is also the gateway to the rich culture of the exciting

pons auf einen blick franzÖsisch shop schulverlag ch - Nov 07 2022

web ob in der schule zu hause im sprachkurs oder unterwegs mit pons grammatik auf einen blick hat man schnell gefunden was man wissen muss immer griffbereit zum nachschlagen und wiederholen mit seitlicher lochung zum abheften in jedem ordner und aus strapazierfähigem abwaschbarem material

pons grammatik auf einen blick französisch booklooker - Apr 12 2023

web pons grammatik auf einen blick französisch kompakte Übersicht grammatikregeln nachschlagen pons auf einen blick

pons gmbh 2007 taschenbuch isbn 9783125607033 zustand leichte gebrauchsspuren

pons grammatik auf einen blick französisch - Dec 28 2021

web die ganze französische grammatik auf einen blick alle wichtigen grammatischen themen auf einen blick zum schnellen nachschlagen und lernen neu alle wichtigen grammatischen fachbegriffe mit definitionen und beispielen zum herunterladen und ausdrucken aus strapazierfähigem abwischbarem material mit seitlicher lochung zum

auf einen blick deutsch französisch Übersetzung pons - Dec 08 2022

web Übersetzung deutsch französisch für auf einen blick im pons online wörterbuch nachschlagen gratis vokabeltrainer verbtabelle aussprachefunktion

pon deutsch französisch Übersetzung pons - Jun 02 2022

web Übersetzung deutsch französisch für pon im pons online wörterbuch nachschlagen gratis vokabeltrainer verbtabelle aussprachefunktion

pons grammatik auf einen blick französisch kompakte übersicht - Sep 05 2022

web 2014 pons grammatik auf einen blick deutsch pons auf einen geschichte auf französisch bestseller vergleich grammatik französisch gymnasium bewertungen amp preise harbordal ml 8 klasse gymnasium französisch die besten produkte im französisch grammatik b2 die besten produkte marken

pons basiswortschatz auf einen blick französisch thalia - Aug 04 2022

web pons basiswortschatz auf einen blick französisch schulbuch taschenbuch 5 00 inkl gesetzl mwst versandkostenfrei 1 artikel liefern lassen sofort lieferbar

pons grammatik auf einen blick französisch - Aug 16 2023

web die ganze französische grammatik auf einen blick alle wichtigen grammatischen themen auf einen blick zum schnellen nachschlagen und lernen neu alle wichtigen grammatischen fachbegriffe mit definitionen und beispielen zum herunterladen und

[pons charente maritime wikipedia](#) - Jan 29 2022

web 152 einw km² postleitzahl 17800 insee code 17283 pons historisches zentrum mit donjon und schloss pons ist eine westfranzösische gemeinde an der seugne im département charente maritime region poitou charentes die 4206 einwohner stand 1 januar 2020 der stadt werden les pontois genannt

pons praxis grammatik französisch grammatik französisch - Feb 10 2023

web pons praxis grammatik französisch ideal zum lernen Üben und nachschlagen mit extra online Übungen buch format 16 2 x 23 0 cm 288 seiten isbn 978 3 12 562215 9 informationen für lehrer innen und referendar innen dieser artikel steht derzeit im shop nicht zur verfügung 18 95

pons verben auf einen blick französisch pons auf einen blick amazon de - May 01 2022

web pons verben auf einen blick französisch pons auf einen blick isbn 9783125626690 kostenloser versand für alle bücher mit versand und verkauf duch amazon

500 crock pot express recipes crock pot cookbook with - Mar 09 2023

web buy top 550 crock pot express recipes cookbook the complete crock pot express cookbook for quick and delicious meals for anyone 1 by collins joshua isbn 9781700900593 from amazon s book store everyday low prices and free delivery on

slow cooker cookbooks crockpot - Nov 24 2021

[amazon com express crockpot cookbook](#) - Mar 29 2022

web crockpot express 6 qt pressure cooker black stainless steel the crockpot express pressure cooker not only helps you create delicious meals up to 70 faster than traditional cooking it also features an assortment of cooking programs that give you

amazon com crock pot express cookbook - Jan 07 2023

web jan 8 2023 here is a huge list of easy crock pot express recipes for you to try in your new pressure cooker this week from dinners to side dishes and desserts too you will surely find a favorite dish here simple and delicious meals your family will love to eat and make

500 crock pot express recipes healthy cookbook for - Apr 10 2023

web popular cookbooks 4 in 1 box set 500 instant pot recipes 500 air fryerrecipes 500 crock pot recipes and 500 crock pot express recipes for everyone and family by julia madison cori jones et al feb 17 2019

crocpot express recipes easy recipes written for the - Jun 12 2023

web in this cookbook you will find 500 recipes for the crock pot express divided into the following categories vegetables poultry pork beef fish seafood vegan beans grains fast snacks desserts other favorite s

crocpot express recipes and tips facebook - Dec 26 2021

crock pot express crock recipes pdf download - Apr 29 2022

web crockpot express recipes and tips 10 236 likes find recipes written just for the crockpot express multi cooker and learn how to use your new favorit

500 crock pot express recipes healthy cookbook for everyday - Jul 13 2023

web nov 26 2017 in this cookbook you will find 500 recipes for the crock pot express divided into the following vegetables poultry pork beef fish seafood vegan beans grains fast snacks desserts other favorite s if you are considering a

500 crock pot express recipes healthy cookbook for everyday - May 31 2022

web oct 18 2019 title top 550 crock pot express recipes cookbook author joshua collins publisher independently published isbn 9781700900593 length 0 43 inch width 8 5 inch languages english subtitle the complete crock pot express

500 crock pot express recipes healthy cookbook for eve - May 11 2023

web nov 3 2019 500 crock pot express recipes crock pot cookbook with healthy budget friendly meals for beginners martha scott 4 25 4 ratings0 reviews the complete crock pot pressure cooker recipe cookbook do want to eat healthy and delicious

40 easy crock pot express recipes for beginners the typical - Sep 03 2022

web ingredients 1 set the crock pot express crock multi cooker to the brown sautÉ setting 2 season the beef with salt and pepper heat olive oil in the crock pot express crock 2 lbs beef sirloin steak cut into ½ inch cubes or strips multi cooker page 25

top 550 crock pot express recipes cookbook the - Dec 06 2022

web this latest series of perfect one pot meals from top food influencers celebrate the power of pressure cooking with time saving recipes from celebrated food influencers ranging from breakfast and appetizers to entrées and desserts these great tasting dishes are all

500 crock pot express recipes crock pot cookbook - Aug 14 2023

web 3 9 313 ratings see all formats and editions in this cookbook you will find 500 recipes for the crock pot express divided into the following categories vegetables poultry pork beef fish seafood vegan beans grains fast snacks desserts other

21 500 crock pot express recipes selected recipes - Feb 25 2022

web aug 19 2019 read joshua collins s book top 550 crock pot express recipes cookbook the complete crock pot express

cookbook for quick and delicious meals for anyone crock pot express cookbooks 1 published on na by books general

crock pot express cookbook proven amazing healthy - Jul 01 2022

web then you have come to the right place we have rounded up 21 500 crock pot express recipes that we have shared over the years plus there is such a variety of flavours in these recipes so you are sure to find something for you

500 crock pot express recipes healthy cookbook - Oct 04 2022

web 500 crock pot express recipes healthy cookbook for everyday vegan pork beef poultry seafood and more

250 crock pot express recipes cookbook the complete cr - Sep 22 2021

top 550 crock pot express recipes cookbook the - Feb 08 2023

web feb 20 2020 crock pot 1001 best crock pot recipes of all time crockpot crockpot recipes crock pot cookbook crock pot recipes crock pot slow cooker slow cooker recipes slow cooker cookbook cookbooks by emma katie 20 nov 2016

top 550 crock pot express recipes cookbook dymocks - Jan 27 2022

web new to a crock pot pressure cooker then this top 250 crock pot express cookbook is just for you this cookbook contains a wide variety of simple and delicious crock pot express recipes for your crock pot express multicooker and will give you all the

top 550 crock pot express recipes cookbook the complete - Oct 24 2021

amazon co uk crock pot recipes cookbook - Nov 05 2022

web this complete crock pot express cookbook will take care of your cooking worries once and for all it will guide you in the best possible way to use your cooking pot either as a and slow cooker or as a quick and versatile electric pressure cooker

express crock quick and easy recipes for every occasion - Aug 02 2022

web oct 18 2019 top 550 crock pot express recipes cookbook the complete crock pot express cookbook for quick and delicious meals for anyone part of crock pot express recipes 1 books by joshua collins oct 18 2019

cut and paste clothing for four seasons pdf wrbb neu - Oct 05 2022

web we manage to pay for you this proper as skillfully as easy habit to get those all we offer cut and paste clothing for four seasons and numerous book collections from fictions to

four seasons cut and paste worksheet - Aug 03 2022

web color cut and paste the fall clothes onto the girl and boy encourage discussion about the seasonal transition between summer and winter and the possible variations in the

results for four seasons cut and paste ppt - Feb 09 2023

web cut and paste clothing for four seasons 1 cut and paste clothing for four seasons as recognized adventure as with ease as

experience more or less lesson amusement

[free 4 seasons spinner printables for kids 123](#) - Mar 10 2023

web cut and paste clothing for four seasons with many of cut copy paste s digital resources left thrillingly open for additions and revisions this book reimagines our ideas

pinterest - Apr 11 2023

web cut and paste clothing for four seasons pdf pages 2 9 cut and paste clothing for four seasons pdf upload jason t paterson 2 9 downloaded from support ortax org on

cut and paste clothing for four seasons pdf pdf support ortax - Dec 07 2022

web cut and paste clothing for it is now easier than ever to get your dental download free cut and paste clothing for four seasons cut and paste clothing for four seasons when

cut and paste clothing for four seasons secure4 khronos - Mar 30 2022

web cut n paste is a collection of vinyl wall decals that were created for people who love their space and seek for a simple and affordable way to reinvent a room vinyl is a great

[results for four seasons cutting activities tpt](#) - Jan 28 2022

[cut and paste clothing for four seasons pdf](#) - Dec 27 2021

[cutnpasteshop etsy](#) - Oct 25 2021

pdf cut and paste clothing for four seasons - May 12 2023

web the four seasons sorts cut and paste worksheets help kindergarten pre k students understand the difference between seasonal objects and improve their fine motor skills

[fall clothes cut and paste dress girl and boy free tpt](#) - Feb 26 2022

web showing top 8 worksheets in the category cut and paste seasons some of the worksheets displayed are weather cut and paste cut and paste seasons weather cut

[clothes for different seasons teacher made twinkl](#) - Aug 15 2023

web this lovely cut and stick activity encourages children to choose suitable clothing to wear based on the season all four seasons are included with a wide range of different

[seasons matching free printable cut and paste](#) - Jun 13 2023

web help students work on their fine motor skills by using this cut and paste activity included in set 1 the four seasons cut

and paste sorting activity worksheet 2 the four
four season cut and paste tpt - Nov 25 2021

four seasons cut paste teaching resources teachers pay - Sep 04 2022

web jun 11 2023 solely expressed the cut and paste clothing for four seasons is internationally consistent with any devices to browse in particular situations you also

cut and paste clothing for four seasons anonymous - Apr 30 2022

web students sort and match pictures with labels into categories to show what they have learned about the four seasons help students work on their fine motor skills by using this cut

cut and paste clothing for four seasons pdf uniport edu - Jun 01 2022

web cut and paste century 21tm computer applications and keyboarding lessons 1 170 seren s seasons in the hands of a child early childhood project pack let s learn

how to get pdf cut and paste clothing for four seasons - Nov 06 2022

web mar 7 2023 clothing for four seasons but end up in malicious downloads rather than enjoying a good book with a cup of coffee in the afternoon instead they cope with some

cut and paste seasons worksheets printable worksheets - Sep 23 2021

read pdf epub cut and paste clothing for four seasons - Jul 02 2022

web help students work on their fine motor skills by using this cut and paste activity included in set 1 the four seasons cut and paste sorting activity worksheet 2 the four

printable summer and winter clothing sort from - Jul 14 2023

web cut and paste clothing for four seasons fashion and its social agendas sep 02 2020 it has long been said that clothes make the man or woman but is it still true today if

results for seasons cut and paste tpt - Jan 08 2023

web help students work on their fine motor skills by using this cut and paste activity included in set 1 the four seasons cut and paste sorting activity worksheet 2 the four