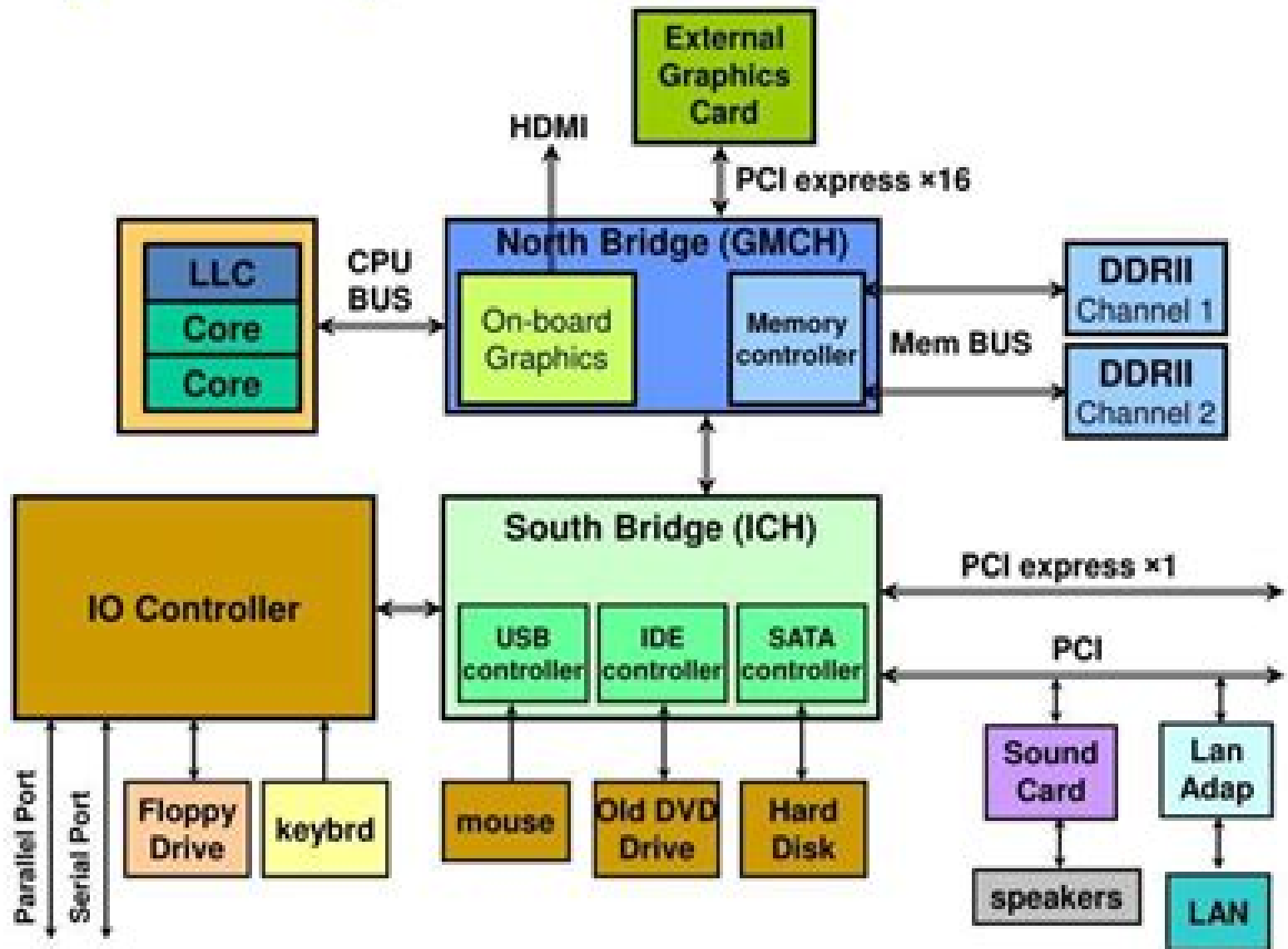


Computer System Structure – 2009



Architecture Of Small Computer Systems

Liyong Dong



Architecture Of Small Computer Systems:

Embark on a breathtaking journey through nature and adventure with is mesmerizing ebook, **Architecture Of Small Computer Systems** . This immersive experience, available for download in a PDF format (*), transports you to the heart of natural marvels and thrilling escapades. Download now and let the adventure begin!

<https://autodiscover.cruiselady.com/files/uploaded-files/index.jsp/advances%20in%20distributed%20multimedia%20systems.pdf>

Table of Contents Architecture Of Small Computer Systems

1. Understanding the eBook Architecture Of Small Computer Systems
 - The Rise of Digital Reading Architecture Of Small Computer Systems
 - Advantages of eBooks Over Traditional Books
2. Identifying Architecture Of Small Computer Systems
 - Exploring Different Genres
 - Considering Fiction vs. Non-Fiction
 - Determining Your Reading Goals
3. Choosing the Right eBook Platform
 - Popular eBook Platforms
 - Features to Look for in an Architecture Of Small Computer Systems
 - User-Friendly Interface
4. Exploring eBook Recommendations from Architecture Of Small Computer Systems
 - Personalized Recommendations
 - Architecture Of Small Computer Systems User Reviews and Ratings
 - Architecture Of Small Computer Systems and Bestseller Lists
5. Accessing Architecture Of Small Computer Systems Free and Paid eBooks
 - Architecture Of Small Computer Systems Public Domain eBooks
 - Architecture Of Small Computer Systems eBook Subscription Services
 - Architecture Of Small Computer Systems Budget-Friendly Options

6. Navigating Architecture Of Small Computer Systems eBook Formats
 - ePub, PDF, MOBI, and More
 - Architecture Of Small Computer Systems Compatibility with Devices
 - Architecture Of Small Computer Systems Enhanced eBook Features
7. Enhancing Your Reading Experience
 - Adjustable Fonts and Text Sizes of Architecture Of Small Computer Systems
 - Highlighting and Note-Taking Architecture Of Small Computer Systems
 - Interactive Elements Architecture Of Small Computer Systems
8. Staying Engaged with Architecture Of Small Computer Systems
 - Joining Online Reading Communities
 - Participating in Virtual Book Clubs
 - Following Authors and Publishers Architecture Of Small Computer Systems
9. Balancing eBooks and Physical Books Architecture Of Small Computer Systems
 - Benefits of a Digital Library
 - Creating a Diverse Reading Collection Architecture Of Small Computer Systems
10. Overcoming Reading Challenges
 - Dealing with Digital Eye Strain
 - Minimizing Distractions
 - Managing Screen Time
11. Cultivating a Reading Routine Architecture Of Small Computer Systems
 - Setting Reading Goals Architecture Of Small Computer Systems
 - Carving Out Dedicated Reading Time
12. Sourcing Reliable Information of Architecture Of Small Computer Systems
 - Fact-Checking eBook Content of Architecture Of Small Computer Systems
 - Distinguishing Credible Sources
13. Promoting Lifelong Learning
 - Utilizing eBooks for Skill Development
 - Exploring Educational eBooks
14. Embracing eBook Trends
 - Integration of Multimedia Elements

- Interactive and Gamified eBooks

Architecture Of Small Computer Systems Introduction

In today's digital age, the availability of Architecture Of Small Computer Systems books and manuals for download has revolutionized the way we access information. Gone are the days of physically flipping through pages and carrying heavy textbooks or manuals. With just a few clicks, we can now access a wealth of knowledge from the comfort of our own homes or on the go. This article will explore the advantages of Architecture Of Small Computer Systems books and manuals for download, along with some popular platforms that offer these resources. One of the significant advantages of Architecture Of Small Computer Systems books and manuals for download is the cost-saving aspect. Traditional books and manuals can be costly, especially if you need to purchase several of them for educational or professional purposes. By accessing Architecture Of Small Computer Systems versions, you eliminate the need to spend money on physical copies. This not only saves you money but also reduces the environmental impact associated with book production and transportation. Furthermore, Architecture Of Small Computer Systems books and manuals for download are incredibly convenient. With just a computer or smartphone and an internet connection, you can access a vast library of resources on any subject imaginable. Whether you're a student looking for textbooks, a professional seeking industry-specific manuals, or someone interested in self-improvement, these digital resources provide an efficient and accessible means of acquiring knowledge. Moreover, PDF books and manuals offer a range of benefits compared to other digital formats. PDF files are designed to retain their formatting regardless of the device used to open them. This ensures that the content appears exactly as intended by the author, with no loss of formatting or missing graphics. Additionally, PDF files can be easily annotated, bookmarked, and searched for specific terms, making them highly practical for studying or referencing. When it comes to accessing Architecture Of Small Computer Systems books and manuals, several platforms offer an extensive collection of resources. One such platform is Project Gutenberg, a nonprofit organization that provides over 60,000 free eBooks. These books are primarily in the public domain, meaning they can be freely distributed and downloaded. Project Gutenberg offers a wide range of classic literature, making it an excellent resource for literature enthusiasts. Another popular platform for Architecture Of Small Computer Systems books and manuals is Open Library. Open Library is an initiative of the Internet Archive, a non-profit organization dedicated to digitizing cultural artifacts and making them accessible to the public. Open Library hosts millions of books, including both public domain works and contemporary titles. It also allows users to borrow digital copies of certain books for a limited period, similar to a library lending system. Additionally, many universities and educational institutions have their own digital libraries that provide free access to PDF books and manuals. These libraries often offer academic texts, research papers, and technical manuals, making them invaluable resources for students and researchers. Some notable examples include MIT

OpenCourseWare, which offers free access to course materials from the Massachusetts Institute of Technology, and the Digital Public Library of America, which provides a vast collection of digitized books and historical documents. In conclusion, Architecture Of Small Computer Systems books and manuals for download have transformed the way we access information. They provide a cost-effective and convenient means of acquiring knowledge, offering the ability to access a vast library of resources at our fingertips. With platforms like Project Gutenberg, Open Library, and various digital libraries offered by educational institutions, we have access to an ever-expanding collection of books and manuals. Whether for educational, professional, or personal purposes, these digital resources serve as valuable tools for continuous learning and self-improvement. So why not take advantage of the vast world of Architecture Of Small Computer Systems books and manuals for download and embark on your journey of knowledge?

FAQs About Architecture Of Small Computer Systems Books

How do I know which eBook platform is the best for me? Finding the best eBook platform depends on your reading preferences and device compatibility. Research different platforms, read user reviews, and explore their features before making a choice. Are free eBooks of good quality? Yes, many reputable platforms offer high-quality free eBooks, including classics and public domain works. However, make sure to verify the source to ensure the eBook credibility. Can I read eBooks without an eReader? Absolutely! Most eBook platforms offer web-based readers or mobile apps that allow you to read eBooks on your computer, tablet, or smartphone. How do I avoid digital eye strain while reading eBooks? To prevent digital eye strain, take regular breaks, adjust the font size and background color, and ensure proper lighting while reading eBooks. What the advantage of interactive eBooks? Interactive eBooks incorporate multimedia elements, quizzes, and activities, enhancing the reader engagement and providing a more immersive learning experience. Architecture Of Small Computer Systems is one of the best book in our library for free trial. We provide copy of Architecture Of Small Computer Systems in digital format, so the resources that you find are reliable. There are also many Ebooks of related with Architecture Of Small Computer Systems. Where to download Architecture Of Small Computer Systems online for free? Are you looking for Architecture Of Small Computer Systems PDF? This is definitely going to save you time and cash in something you should think about.

Find Architecture Of Small Computer Systems :

[advances in distributed multimedia systems](#)

advances in current surgical dermatology

~~advances in research and applications~~

~~advances in computational eng 2vol~~

~~advances in electronics and electron physics v. 42~~

~~advanced strength and applied elasticity~~

~~advances in transport network technology~~

advanced vehicle technology

advances in fine particles processing

~~advances in atomic and molecular physics vol. 21~~

adventure club afloat the

~~advanced spreadsheets for ecdl~~

advantage interactive series word 97 cd-rom

advances in parasitology volume 11

advances in solar physics

Architecture Of Small Computer Systems :

welcome letter to parents template download printable pdf - Sep 09 2022

introduction in the first part of the welcome letter the sender the teacher or a member of the school staff can introduce themselves welcome the parents and explain how they can be reached in case the parents will have any questions or require assistance school hours

writing a welcome letter to preschool parents tips for teachers - Apr 16 2023

sep 15 2009 an effective welcome letter in the past you could have just said dear parents but in a time of multifaceted family dynamics consider changing your greeting to dear parents grandparents and extended family reinforce their decision of enrolling the

welcome letter from teacher to parents letterspro com - Apr 04 2022

welcome to the 2010 2011 school year my name is mrs taylor and i am happy to have your child in my class this brand new academic year will see your child learning more things and gaining different experiences it is my hope that we will work together to ensure that your child s full potential is realized

teacher introduction letter to parents template twinkl - Mar 03 2022

whatever way you use this letter it will be a great way to form a new relationship with your children s parents sending out

this kindergarten welcome letter to parents will hopefully help to ease any of the parents worries or concerns about sending their child to school

welcome to preschool letter to parents ppt - May 05 2022

pptx welcome students and parents back to school with a this cute welcoming letter meet the teacher letter this welcome letter is designed for pre k preschool tk kindergarten through grade 5 make a great first impression on the parents and students in your class

6 templates to help you write a preschool welcome letter to parents - Jul 19 2023

feb 22 2023 a preschool welcome letter is a written message sent to the parents or guardians of newly enrolled preschoolers it introduces the preschool staff and provides important information about the preschool program schedule and policies

welcome letter to parents from daycare teacher - Feb 02 2022

welcome letter to parents from daycare teacher welcome letter from teacher to parent examples child care welcome letter to parents from daycare teacher how to write a goodbye letter to parents from daycare teacher how to write a welcome letter to preschool parents how to write a welcome back to school letter to parents examples of welcome

teacher introduction letter to parents examples weareteachers - Aug 20 2023

jul 6 2023 teacher introduction letter to parents examples 1 put preschoolers at ease starting school for the first time can be intimidating welcoming preschoolers to an adventure can help reframe the experience and make it more exciting 2 build relationships with parents advertisement

preschool welcome letter template download printable pdf - Dec 12 2022

to write a preschool welcome letter to parents you will want to include the following information header with the name address and contact information for your preschool date the subject line such as welcome child s name to

19 best welcome letter ideas welcome letters letter to parents - Jun 06 2022

here is the welcome letter that i send home every year before school starts i copy both letters front to back one for the kids and one for the p teacher cover letter example teacher introduction letter letter to teacher teaching letters letter to parents student teaching parent letters teaching ideas guest teacher aspecialsparkle com

33 directional guides for teacher introduction letters to parents - Oct 10 2022

aug 8 2023 1 welcome letter step into an exciting new academic journey with this letter offering a peek into your background and teaching philosophy whilst offering a heartwarming welcome for the new year learn more learning and teaching with preschoolers 2 classroom environment letter

parent teacher communication ideas welcome letters - Nov 11 2022

sep 14 2009 this article describes how these beginning of the year letters to preschool parents offer a helpful format in demonstrating parent teacher communication ideas such as indicating expectations of the parent as well as stating what the program is set to accomplish throughout the year

a welcome letter to parents from teacher back to school - Mar 15 2023

this a welcome letter to parents from teacher is a brilliant way to introduce yourself to new parents at the start of the school year you can edit and customise the template to meet your needs and make sure that your welcome letter is personal and reflective of you show more

teacher introduction letter to parents examples best examples - May 17 2023

jul 6 2023 teacher introduction dear to parents examples 1 put preschoolers at ease starting school for the beginning time can be intimidating welcoming preschoolers to an adventure can help reframe the experience and make it

a welcome letter to parents from teacher back to school - Jan 13 2023

this a welcome letter to parents from teacher is a brilliant way to introduce yourself to new parents at the start of the school year you can edit and customise the template to meet your needs and make sure that your welcome letter is personal and reflective of you show more

welcome letter to preschool parents letterspro com - Feb 14 2023

welcome letter to preschool parents welcome letters to parents guide letter example grammar checker 8000 letter samples

15 sample welcome letter to parents from teacher - Sep 21 2023

sample welcome letter to parents from teacher sample 1 dear parents we extend a warm welcome to you and your child in our classroom we are pleased to have you as part of our academic community and we look forward to fostering a positive and productive learning environment for your child

[a welcome letter to parents from teacher back to school](#) - Jun 18 2023

this a welcome letter to parents from teacher is a brilliant way to introduce yourself to new parents at the start of the school year you can edit and customise the template to meet your needs and make sure that your welcome letter is personal and reflective of you downloading this a welcome letter to parents from teacher couldn t be easier

[teacher introduction letter to parents examples sample welcome letter](#) - Aug 08 2022

jul 11 2022 teacher introduction letter to our examples 1 put preschoolers during ease starting school for the first time capacity be intimidating welcoming preschoolers to an adventure can help reframe the my and make information more exciting learn how till letter a teacher introduction letter to your students parents and review our try letters 2

best examples of teacher introduction letters to parents - Jul 07 2022

apr 14 2023 1 address the parents and caregivers you can choose to customize your letter or email sending a new

correspondence to each parent or caregiver where you use their name and the student's name or you may choose to send a more generic letter to all the parents and caregivers for the students in your class

class 9 science notes cbse class 9 science revision notes - Oct 29 2022

web chapter wise cbse quick revision notes and key points for class 9 science pdf free download was designed by expert teachers from latest edition of ncert books to get good marks in board exams ncert class 9 science notes contains physics chemistry and biology notes of all chapters are part of revision notes for class 9 here we have given

pdf download physics numerical for class 9 - Feb 18 2022

web sep 13 2023 pdf download physics numerical for class 9 here you will find physics numericals for class 9 each and every topic numericals covered in this article class 9 physics numericals problems based on work and energy for class 9 science numericals for class 9 science chapter 12 sound problems based on class 9

textbooks pdf i xii ncert - Sep 08 2023

web ncert textbooks pdf i xii welcome to the online textbooks section this online service offers easy access to the ncert textbooks the service covers textbooks of all subjects published by ncert for classes i to xii in hindi english and urdu

physics syllabus and marking scheme of cbse class 9 10 11 and 12 - Mar 02 2023

web cbse science syllabus marking scheme of class 9 and 10 physics syllabus marking scheme of class 11 and 12 check online physics formulas and calculator at byju's physics

modern's abc of science physics for class ix embibe - Feb 01 2023

web learn chapters topics with 3d videos ask unlimited doubts more on embibe sunil batra modern's abc of science physics for class ix book for 9th cbse published by modern publishers get all book exercise practice questions with solutions 3d videos for all chapters more

high school physics science khan academy - Apr 03 2023

web this course covers many topics in high school physics newer material aligned with the next generation science standards is available in the latest version of high school physics course find the latest version of high school physics here

class 12 physics india science khan academy - Nov 29 2022

web it is now time to dive deeper into the world of physics with topics from class 12 ncert such as electrostatics electricity magnetism electromagnetic induction and electromagnetic waves let's also learn more about light with ray optics and wave optics

ncert solutions for class 9 science 2022 2023 edition learn - Apr 22 2022

web feb 21 2023 chapter wise ncert solutions for class 9 science solved by expert teachers from latest edition books and as per ncert cbse guidelines cbse class 9 science all chapters exercise questions with solutions to help you to revise complete

syllabus and score more marks

physics classes xi xii ncert - Jun 05 2023

web physics classes xi xii the syllabus for physics at the higher secondary stage has been developed with a view that this stage of school education is crucial and challenging as it is a transition from general science to discipline based curriculum the recommendations of national curriculum framework 2005 have been followed keeping

class ix xii pdf science scribd - Sep 27 2022

web academic session 2022 23 mid term date sheet ix x xii date class ix x xii a xii b x day 17 09 22 saturday information information computer computer computer sc practice practice science science educ physical physical education education 19 09 22 monday maths s st

ncert solutions class 9 science chapter 12 sound pw physics - Jun 24 2022

web ncert solutions for class 9 science chapter 12 sound ncert solutions for class 9 science chapter 12 sound is prepared and uploaded for reference by academic team of expert members of physics wallah get solutions of all chapters of ncert class 9 science from physics wallah

model question class ix science physics tripura - May 24 2022

web class ix science physics term i half yearly 2021 22 marks 14 i 1x3 1 a b c d 2 7 a 7 b 14 c d 44 3 a b c d ii 1x7 4 5 6 7 8 s i 9 10 10 m s 10 sec iii 2x2 11 1600 km 2400 km 10 12 s i 5 kg 2²

textbooks pdf i xii ncert - Oct 09 2023

web ncert sri aurobindo marg new delhi 110016 dceta ncert nic in 91 8800440559

physics library science khan academy - Jul 06 2023

web unit 1 one dimensional motion unit 2 two dimensional motion unit 3 forces and newton s laws of motion unit 4 centripetal force and gravitation unit 5 work and energy unit 6 impacts and linear momentum unit 7 torque and angular momentum unit 8 oscillations and mechanical waves unit 9 fluids unit 10 thermodynamics

ncert solutions for class 9 science updated for 2023 24 - Aug 27 2022

web these cbse science ncert solutions for class 9 cover solutions to all the important chapters included in the textbook like matter atoms tissues living organisms motion force laws of motion gravitation energy and work sound natural resources etc

contents - Aug 07 2023

web physics classes xi xii 33 biology classes xi xii 44 mathematics classes ix xii 57 social science classes ix xii 74 history classes ix x 77 geography classes ix x 81 political science classes ix x 85 economics classes ix x 88 history classes xi xii 93 geography classes xi xii 101 political science classes xi xii 107

ncert books for class 12 physics byju s - Jul 26 2022

web the ncert class 12 physics part 1 pdf is prepared to provide students with a clear understanding of the various concepts and topics explained as per the cbse syllabus the books contain explanations in a detailed and elaborate manner to help students obtain better academic scores

[class 9 science study material of science physics](#) - May 04 2023

web welcome to our class 9 science page in this page you can find class 9 physics class 9 chemistry and class 9 biology notes assignments etc you can share the link to free class 9 ncert science solutions with your classmates as all study material is free of cost

[class 9 physics index cbse byju s](#) - Dec 31 2022

web class 9 physics opens doors to fascinating topics such as motion gravitation sound work power and more these topics are very important for students who wish to pursue a career in physics discipline master these concepts and build a strong foundation to improve your expertise on the subject

list of physics scientists and their discoveries byju s - Mar 22 2022

web 11th std physics important questions state board difference between kinetics and kinematics given here is a list of famous scientists and their inventions along with their brief introduction a summary of the list of scientists and their discoveries is given for your better understanding

pakistan penal code download ppc pdf lawguide pk - Jun 23 2022

web dec 24 2021 the pakistan penal code encompasses a wide range of criminal offenses categorizing them into various chapters and sections it covers offenses against the state public order public health decency morality property and human life among others each offense is defined with precision outlining the elements necessary to constitute the crime

in the supreme court of pakistan present mr - Jan 31 2023

web in the supreme court of pakistan appellate jurisdiction present mr justice mazhar alam khan miankhel mr justice qazi muhammad amin ahmed criminal petition no 46 p of 2016 against the order dated 20 04 2016 passed by the peshawar high court peshawar passed in cr r no 66 p 2015 with cr misc no 189 p 2016

court structure in pakistan courting the law - Sep 26 2022

web jun 9 2015 criminal courts the criminal procedure in pakistan is laid down in the code of criminal procedure 1868 whereas the substantive law about definition about a crime and its punishment is found in pakistan penal code 1860 the main criminal courts in pakistan are 1 high court 2 court of session 3 court of magistrate

judiciary of pakistan wikipedia - Jun 04 2023

web the judiciary of pakistan urdu قانونی نظام is a hierarchical system with two classes of courts the superior or higher judiciary and the subordinate or lower judiciary the superior judiciary is composed of the supreme court of pakistan

the federal shariat court and five high courts with the supreme court at the apex
supreme court of pakistan - May 03 2023

web court whereby the post arrest bail on the statutory ground of delay of over two years in the conclusion of the trial since his detention has 419 420 468 471 and 109 of the pakistan penal code 1860 ppc 2 the allegations against the petitioner briefly stated are that

[pakistan penal code urdu lawaaly free download borrow](#) - Mar 21 2022

web jun 2 2023 the pakistan penal code ppc is a legal document that outlines crimes and their punishments in pakistan it was originally drafted in 1860 as the indian penal code and adopted by pakistan in 1947 this article provides an overview of the ppc its structure and major categories of offenses covered

pakistan court indicts imran khan for making secret cable public - Mar 01 2023

web october 22 2023 at 10 36 pm pdt listen 2 06 a pakistani court announced charges against former prime minister imran khan for making the contents of a diplomatic cable public this is the

refworld pakistan penal code - May 23 2022

web pakistan penal code pakistan act no xlv 6 october 1860 available at refworld org docid 485231942 html accessed 6 november 2023 comments this is a consolidated text of the penal code up to

pakistan penal code wikipedia - Aug 06 2023

web the pakistan penal code urdu مجرمات کا مجموعہ مجرمات کی تفسیر i pākistān abbreviated as ppc is a penal code for all offences charged in pakistan it was originally prepared by lord macaulay with a great consultation in 1860 on the behalf of the government of india as the indian penal code

[criminology and criminal justice system of pakistan](#) - Feb 17 2022

web dec 29 2022 similarly the penal code xlv of 1860 that was introduced in the colony is still largely followed in the shape of the pakistan penal code supreme court being the apex court of pakistan has the supreme administrative authority over the functionality of all the criminal courts of pakistan

pakistan s apex court to take up deceased dictator musharraf s - Aug 26 2022

web 2 days ago islamabad nov 6 pti pakistan s apex court will start from friday the hearing on a set of appeals related to conviction of now deceased former military ruler pervez musharraf including one moved by the ex leader seeking to overturn his death sentence by a special court in a high treason case the three judge special court of justice waqar

federal shariat court of pakistan - Apr 21 2022

web national assembly of pakistan passed an unprecedented resolution on 25 05 2022 to pay homage to the federal shariat court of pakistan judgement on transgender persons protection of rights act 2018 judgment on riba shariat petition no 30 l of

1991 all other 81 connected matters relating to riba interest

as passed by the national assembly a bill parliament of pakistan - Dec 30 2022

web the k malafide complaint means a complaint filed against any person including a public official with malafide intentions or other ulterior motives or to harass such person or public official l person shall have the same meaning as assigned thereto in section 11 of the pakistan penal code 1860 act xlv of 1860

the pakistan penal code - Sep 07 2023

web the pakistan penal code contents chapter i introduction 1 title and extent of operation of the code 2 punishment of offences committed within pakistan 3 punishment of offences committed beyond but which by law may be tried within pakistan 4 extension of code to extra territorial offences 5 act certain laws not to be affected by

pakistan executions under the qisas and diyat ordinance - Apr 02 2023

web section 302 of the pakistan penal code as replaced by the qisas and diyat ordinance following his conviction and death sentence jahangir appealed to the high court of the north west frontier province and later to the supreme court of pakistan both courts reportedly dismissed his appeal

pakistan penal code 1860 punjab judicial academy - Oct 28 2022

web pakistan penal code 1860 penal code ss 302 310 cr p c ss 345 constitution art 212 3 civil servant acquitted from murder charge by paying diyat service terminated due to absence being in detention and also the plea that payment of diyat was equated with conviction held offence was lawfully compromised

in the supreme court of pakistan present mr - Jul 05 2023

web they were convicted under section 376 2 of the pakistan penal code 1860 ppc and sentenced to death with the direction to pay rs 500 000 as compensation to the complainant or in default thereof to undergo simple imprisonment for

pakistan courts and criminal procedure - Jul 25 2022

web courts and criminal procedure pakistan has an extensive penal code of some 511 articles based on the indian penal code of 1860 extensively amended during both the preindependence and the postindependence eras and an equally extensive code of criminal procedure numerous other laws relating to criminal behavior have also been

pakistan penal code act xlv of 1860 - Oct 08 2023

web punishment of offences committed within pakistan every person shall be liable to punishment under this code and not otherwise for every act or omission contrary to the provisions thereof of which he shall be guilty within pakistan 3

punishment of offences committed beyond but which by law may be tried within pakistan

pakistan code of criminal procedure 1898 as amended by act 2 - Nov 28 2022

web 1 besides the high courts and the courts constituted under any law other than this code for the time being in force there

shall be two classes of criminal courts in pakistan namely i courts of session ii courts of magistrates 2 there shall be the following classes of magistrates namely i judicial magistrates