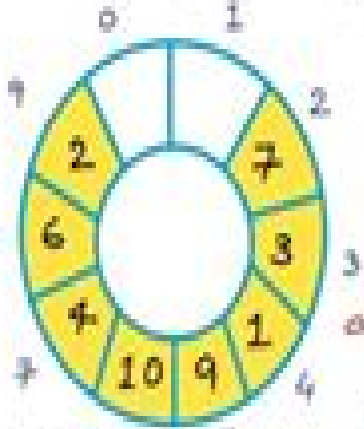


Data Structures

C and C++



a directed graph
or
Digraph

```
struct Node {
    char data;
    Node *left;
    Node *right;
};
```

```
void Preorder(Node *root)
```

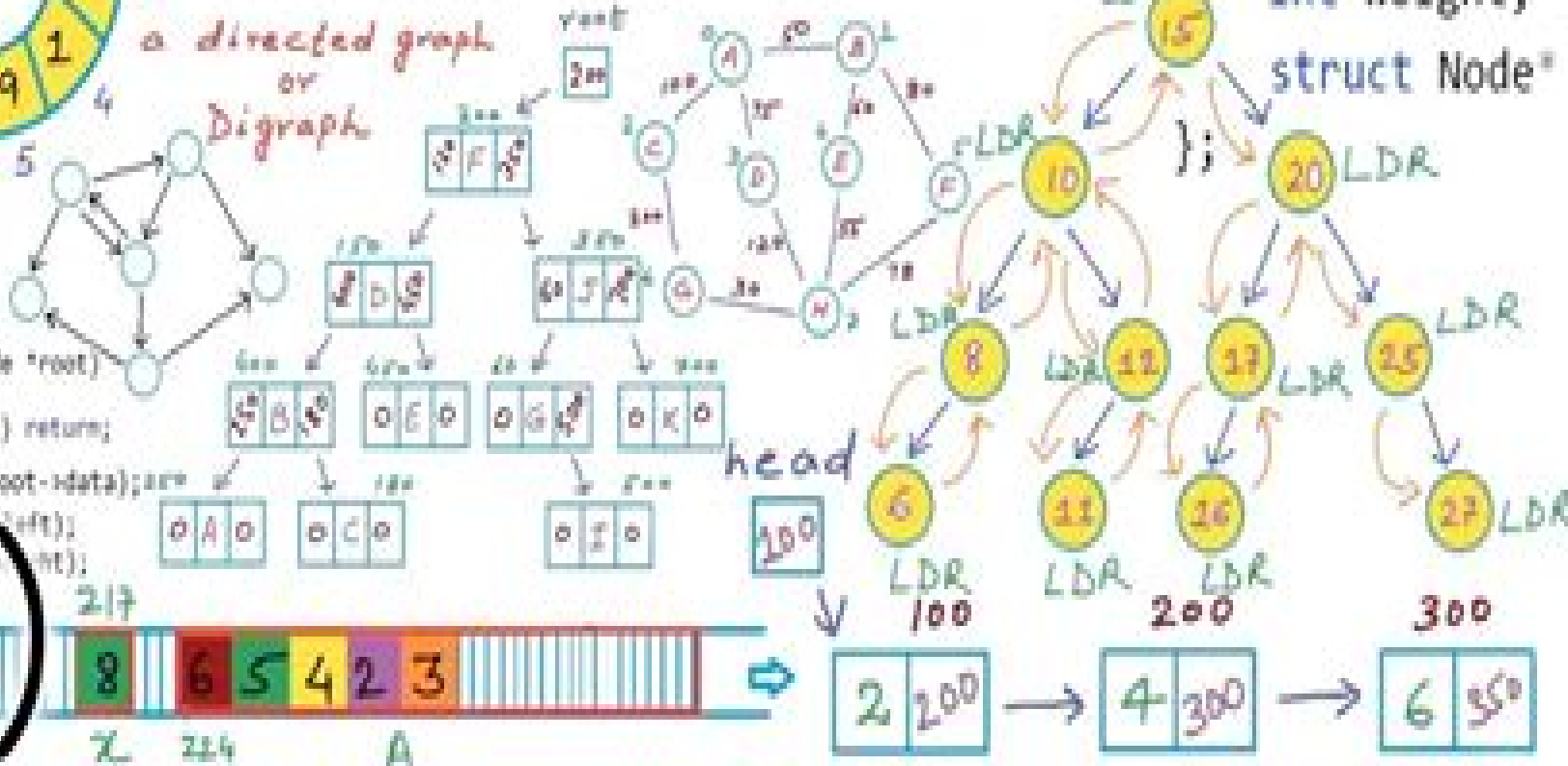
```
{ if(root == NULL) return;
```

```
printf("%c ", root->data);
```

```
Preorder(root->left);
```

```
Preorder(root->right);
```

```
}
```



```
struct Node {
    int data;
    int weight;
    struct Node*
};
```



Data Structures Using C

ML Yell



Data Structures Using C :

Recognizing the artifice ways to acquire this books **Data Structures Using C** is additionally useful. You have remained in right site to start getting this info. get the Data Structures Using C connect that we present here and check out the link.

You could buy guide Data Structures Using C or get it as soon as feasible. You could quickly download this Data Structures Using C after getting deal. So, following you require the book swiftly, you can straight get it. Its correspondingly totally simple and as a result fats, isnt it? You have to favor to in this spread

https://autodiscover.cruiselady.com/data/browse/Download_PDFS/dadas%20on%20art.pdf

Table of Contents Data Structures Using C

1. Understanding the eBook Data Structures Using C
 - The Rise of Digital Reading Data Structures Using C
 - Advantages of eBooks Over Traditional Books
2. Identifying Data Structures Using C
 - Exploring Different Genres
 - Considering Fiction vs. Non-Fiction
 - Determining Your Reading Goals
3. Choosing the Right eBook Platform
 - Popular eBook Platforms
 - Features to Look for in an Data Structures Using C
 - User-Friendly Interface
4. Exploring eBook Recommendations from Data Structures Using C
 - Personalized Recommendations
 - Data Structures Using C User Reviews and Ratings
 - Data Structures Using C and Bestseller Lists
5. Accessing Data Structures Using C Free and Paid eBooks
 - Data Structures Using C Public Domain eBooks

- Data Structures Using C eBook Subscription Services
- Data Structures Using C Budget-Friendly Options
- 6. Navigating Data Structures Using C eBook Formats
 - ePub, PDF, MOBI, and More
 - Data Structures Using C Compatibility with Devices
 - Data Structures Using C Enhanced eBook Features
- 7. Enhancing Your Reading Experience
 - Adjustable Fonts and Text Sizes of Data Structures Using C
 - Highlighting and Note-Taking Data Structures Using C
 - Interactive Elements Data Structures Using C
- 8. Staying Engaged with Data Structures Using C
 - Joining Online Reading Communities
 - Participating in Virtual Book Clubs
 - Following Authors and Publishers Data Structures Using C
- 9. Balancing eBooks and Physical Books Data Structures Using C
 - Benefits of a Digital Library
 - Creating a Diverse Reading Collection Data Structures Using C
- 10. Overcoming Reading Challenges
 - Dealing with Digital Eye Strain
 - Minimizing Distractions
 - Managing Screen Time
- 11. Cultivating a Reading Routine Data Structures Using C
 - Setting Reading Goals Data Structures Using C
 - Carving Out Dedicated Reading Time
- 12. Sourcing Reliable Information of Data Structures Using C
 - Fact-Checking eBook Content of Data Structures Using C
 - Distinguishing Credible Sources
- 13. Promoting Lifelong Learning
 - Utilizing eBooks for Skill Development
 - Exploring Educational eBooks

14. Embracing eBook Trends

- Integration of Multimedia Elements
- Interactive and Gamified eBooks

Data Structures Using C Introduction

In this digital age, the convenience of accessing information at our fingertips has become a necessity. Whether its research papers, eBooks, or user manuals, PDF files have become the preferred format for sharing and reading documents. However, the cost associated with purchasing PDF files can sometimes be a barrier for many individuals and organizations. Thankfully, there are numerous websites and platforms that allow users to download free PDF files legally. In this article, we will explore some of the best platforms to download free PDFs. One of the most popular platforms to download free PDF files is Project Gutenberg. This online library offers over 60,000 free eBooks that are in the public domain. From classic literature to historical documents, Project Gutenberg provides a wide range of PDF files that can be downloaded and enjoyed on various devices. The website is user-friendly and allows users to search for specific titles or browse through different categories. Another reliable platform for downloading Data Structures Using C free PDF files is Open Library. With its vast collection of over 1 million eBooks, Open Library has something for every reader. The website offers a seamless experience by providing options to borrow or download PDF files. Users simply need to create a free account to access this treasure trove of knowledge. Open Library also allows users to contribute by uploading and sharing their own PDF files, making it a collaborative platform for book enthusiasts. For those interested in academic resources, there are websites dedicated to providing free PDFs of research papers and scientific articles. One such website is Academia.edu, which allows researchers and scholars to share their work with a global audience. Users can download PDF files of research papers, theses, and dissertations covering a wide range of subjects. Academia.edu also provides a platform for discussions and networking within the academic community. When it comes to downloading Data Structures Using C free PDF files of magazines, brochures, and catalogs, Issuu is a popular choice. This digital publishing platform hosts a vast collection of publications from around the world. Users can search for specific titles or explore various categories and genres. Issuu offers a seamless reading experience with its user-friendly interface and allows users to download PDF files for offline reading. Apart from dedicated platforms, search engines also play a crucial role in finding free PDF files. Google, for instance, has an advanced search feature that allows users to filter results by file type. By specifying the file type as "PDF," users can find websites that offer free PDF downloads on a specific topic. While downloading Data Structures Using C free PDF files is convenient, its important to note that copyright laws must be respected. Always ensure that the PDF files you download are legally available for free. Many authors and publishers voluntarily provide free PDF versions of their work, but its essential to be cautious and

verify the authenticity of the source before downloading Data Structures Using C . In conclusion, the internet offers numerous platforms and websites that allow users to download free PDF files legally. Whether its classic literature, research papers, or magazines, there is something for everyone. The platforms mentioned in this article, such as Project Gutenberg, Open Library, Academia.edu, and Issuu, provide access to a vast collection of PDF files. However, users should always be cautious and verify the legality of the source before downloading Data Structures Using C any PDF files. With these platforms, the world of PDF downloads is just a click away.

FAQs About Data Structures Using C Books

How do I know which eBook platform is the best for me? Finding the best eBook platform depends on your reading preferences and device compatibility. Research different platforms, read user reviews, and explore their features before making a choice. Are free eBooks of good quality? Yes, many reputable platforms offer high-quality free eBooks, including classics and public domain works. However, make sure to verify the source to ensure the eBook credibility. Can I read eBooks without an eReader? Absolutely! Most eBook platforms offer webbased readers or mobile apps that allow you to read eBooks on your computer, tablet, or smartphone. How do I avoid digital eye strain while reading eBooks? To prevent digital eye strain, take regular breaks, adjust the font size and background color, and ensure proper lighting while reading eBooks. What the advantage of interactive eBooks? Interactive eBooks incorporate multimedia elements, quizzes, and activities, enhancing the reader engagement and providing a more immersive learning experience. Data Structures Using C is one of the best book in our library for free trial. We provide copy of Data Structures Using C in digital format, so the resources that you find are reliable. There are also many Ebooks of related with Data Structures Using C . Where to download Data Structures Using C online for free? Are you looking for Data Structures Using C PDF? This is definitely going to save you time and cash in something you should think about. If you trying to find then search around for online. Without a doubt there are numerous these available and many of them have the freedom. However without doubt you receive whatever you purchase. An alternate way to get ideas is always to check another Data Structures Using C . This method for see exactly what may be included and adopt these ideas to your book. This site will almost certainly help you save time and effort, money and stress. If you are looking for free books then you really should consider finding to assist you try this. Several of Data Structures Using C are for sale to free while some are payable. If you arent sure if the books you would like to download works with for usage along with your computer, it is possible to download free trials. The free guides make it easy for someone to free access online library for download books to your device. You can get free download on free trial for lots of books categories. Our library is the biggest of these that have literally hundreds of thousands of different products categories

represented. You will also see that there are specific sites catered to different product types or categories, brands or niches related with Data Structures Using C . So depending on what exactly you are searching, you will be able to choose e books to suit your own need. Need to access completely for Campbell Biology Seventh Edition book? Access Ebook without any digging. And by having access to our ebook online or by storing it on your computer, you have convenient answers with Data Structures Using C To get started finding Data Structures Using C , you are right to find our website which has a comprehensive collection of books online. Our library is the biggest of these that have literally hundreds of thousands of different products represented. You will also see that there are specific sites catered to different categories or niches related with Data Structures Using C So depending on what exactly you are searching, you will be able to choose ebook to suit your own need. Thank you for reading Data Structures Using C . Maybe you have knowledge that, people have search numerous times for their favorite readings like this Data Structures Using C , but end up in harmful downloads. Rather than reading a good book with a cup of coffee in the afternoon, instead they juggled with some harmful bugs inside their laptop. Data Structures Using C is available in our book collection an online access to it is set as public so you can download it instantly. Our digital library spans in multiple locations, allowing you to get the most less latency time to download any of our books like this one. Merely said, Data Structures Using C is universally compatible with any devices to read.

Find Data Structures Using C :

dadas on art

cut and color flannel board stories one family friends and feelings

d-day to victory war and sex in world war ii

czechoslovakia 1968-1969; chronology bibliography annotation

daily groove a big fat scary devotional

daddys surprise christmas

cut throat business i am having the last word

da 32 troubleshooting hesitation problems

cysteine proteinases and their inhibitors proceedings of the international symposium portoroz yugoslavia september 1518 1985

cyberboogie sharon lois and bram audio cd by times mirror multimedia

customer choice purchasing energy in a deregulated market

d h lawrence the rainbowwomen in love

exc pp 0003 carib histo

cytokines in animal health and disease

dads last letter leadership principles for the next generation

Data Structures Using C :

web application development with r using shiny third edition - Mar 14 2022

he is the author of web application development with r using shiny he works full time developing software to store collate and present questionnaire data using open technologies mysql php r and shiny with a particular emphasis on using the web and shiny to produce simple and attractive data summaries

web application development with r using shiny github - Oct 01 2023

web application development with r using shiny helps you become familiar with the complete r shiny package the book starts with a quick overview of r and its fundamentals followed by an exploration of the fundamentals of shiny and some of the things that it

web application framework for r shiny github pages - Jun 28 2023

web application framework for r shiny shiny easily build rich and productive interactive web apps in r no html css javascript required features an intuitive and extensible reactive programming model which makes it easy to transform existing r code into a live app where outputs automatically react to new user input

shiny rstudio - Nov 21 2022

easy web applications in r shiny is an open source r package that provides an elegant and powerful web framework for building web applications using r shiny helps you turn your analyses into interactive web applications without requiring html css or

web apps in r building your first web application in r shiny - Feb 10 2022

web apps in r building your first web application in r shiny tutorial ep 1 youtube 0 00 20 53 have you ever wanted to build your very own web application perhaps a

building web apps with shiny github pages - Aug 31 2023

welcome this is a short course that will introduce you to shiny the course is organized into four modules which you can access with the navigation bar above module 1 hello shiny architecture of a shiny app module 2 reactive flow inputs to rendering functions to outputs

shiny web application framework for r - Jun 16 2022

shiny package web application framework for r description shiny makes it incredibly easy to build interactive web applications with r automatic reactive binding between inputs and outputs and extensive prebuilt widgets make it possible to

build beautiful responsive and powerful applications with minimal effort details

[building interactive shiny web apps with r programming](#) - Jul 18 2022

an r program called shiny makes it simple to build dynamic rich web applications you may use shiny to take your r work and make it accessible to the public via a web browser shiny makes you appear good by making it simple to create beautiful web apps with the least amount of effort most r users before found it challenging to create web

build your first shiny web app in r towards data science - Sep 19 2022

aug 4 2020 in this article you ll be learning how to make a web application in r using the shiny package aside from deploying machine learning models web applications can be created to host data driven dashboard as well

[web application development with r using shiny build stunning](#) - Apr 26 2023

analyze communicate and design your own sophisticated and interactive web applications using the r v 3 4 shiny 1 1 0

package key features explore the power of r shiny to make interactive web applications easily create engaging user interfaces using elements such as html5 shiny tags and ttabsets build and deploy your interactive shiny web

web application development with r using shiny third edition - Dec 23 2022

explore the power of r shiny to make interactive web applications easily create engaging user interfaces using elements such as html5 shiny tags and ttabsets build and deploy your interactive shiny web application using shinyapps io

web apps in r building data driven web application in r shiny - Apr 14 2022

in this r shiny tutorial video i will guide you through the process of building a simple data driven web application in r using the shiny web framework thi

[web application development with r using shiny second edition](#) - Oct 21 2022

shiny allows you to create interactive web applications using the excellent analytical and graphical capabilities of r this book will guide you through basic data management and analysis with r through your first shiny application and then show you how to integrate shiny applications with your own web pages

web application development with r using shiny google books - Feb 22 2023

sep 27 2018 analyze communicate and design your own sophisticated and interactive web applications using the r v 3 4 shiny 1 1 0 packagekey featuresexplore the power of r shiny to make interactive web applications easilycreate engaging user interfaces using elements such as html5 shiny tags and ttabsetsbuild and deploy your interactive shiny web

overview building web apps with r shiny lisa debruine - Aug 19 2022

mar 31 2022 overview shiny lets you make web applications that do anything you can code in r for example you can share your data analysis in a dynamic way with people who don t use r collect and visualize data or even make data art

[create an interactive web app using shiny package in r](#) - May 16 2022

feb 20 2023 building interactive web applications with r is incredibly simple thanks to the r shiny framework a package from rstudio r shiny is fantastic in that it enables you to produce incredibly effective data reports and visualizations that let the user explore a data set

web application framework for r shiny package shiny - Jan 24 2023

web application framework for r shiny makes it incredibly easy to build interactive web applications with r automatic reactive binding between inputs and outputs and extensive prebuilt widgets make it possible to build beautiful responsive and *build interactive data driven web apps with r shiny* - Mar 26 2023

sep 22 2021 shiny is an r package that makes it easy to build interactive and data driven web apps straight from r we just published a course on the freecodecamp org youtube channel that will teach you how to use r shiny dr chanin nantasenammat also known as the data professor teaches this course

web application development with r using shiny google books - Jul 30 2023

jan 29 2016 shiny allows you to create interactive web applications using the excellent analytical and graphical capabilities of r this book will guide you through basic data management and analysis

tutorial building shiny applications with r github pages - May 28 2023

features build useful web applications with only a few lines of code no javascript required shiny applications are automatically live in the same way that spreadsheets are live outputs change instantly as users modify inputs without requiring a reload of the browser

how to pass your final exam on anatomy and physiology - Sep 22 2023

web oct 30 2023 worried about passing your final exam on anatomy and physiology in this article we give you our tried and tested tips for acing these tricky topics

anatomy and physiology cumulative final study - Apr 17 2023

web anatomy and physiology cumulative final study computer with an updated web browser kilgore college 1100 broadway kilgore tx 75662 3204 903 984 8531 kilgore edu anatomy and physiology study guide june 23rd 2018 finding the right anatomy and physiology study guide that can help you pass this class has been a challenge for

[anatomy physiology final cumulative flashcards quizlet](#) - Jul 20 2023

web study with quizlet and memorize flashcards containing terms like anatomy physiology integumentary system and more *anatomy and physiology 1 singapore institute of technology* - Jan 14 2023

web this module together with anatomy and physiology 2 hsc1002 will equip students with a working knowledge of the normal structure and function of the human body the clinical relevance and the interrelationship between different body systems will be emphasized learning of anatomical structures will be reinforced by highlighting connections with their

cumulative final exam anatomy physiology flashcards and study - Oct 23 2023

web learn cumulative final exam anatomy physiology with free interactive flashcards choose from 5 000 different sets of cumulative final exam anatomy physiology flashcards on quizlet

final exam cumulative material study guide below are the study - May 18 2023

web final exam cumulative material study guide below are the study guides from exams the cumulative studocu skip to document university of massachusetts lowell western governors university miami dade college university of houston clear lake university of california los angeles silver creek high school colorado

cumulative final exam study guide flashcards quizlet - Aug 21 2023

web anatomy study of structure of body parts and its relationship to one another how it s built physiology study of the function of body parts you should know the definitions of a tissue and of an organ tissue made of similar cells with common function

anatomy physiology ii practice test questions final exam study - Sep 10 2022

web test and improve your knowledge of anatomy physiology ii with fun multiple choice exams you can take online with study com

anatomy and physiology free study guide simple studies - Oct 11 2022

web this is a free study guide on anatomy and physiology simple studies has 200 study guides including countless more science resources

final exam practice for anatomy and physiology ii flashcards - Mar 16 2023

web study with quizlet and memorize flashcards containing terms like anemia is caused by a defective gene resulting in abnormal hemoglobin a hemorrhagic anemia b aplastic anemia c pernicious anemia d sickle cell anemia which of the following has the function of defending against parasites a erythrocyte b basophil c neutrophil d lymphocyte e

biology 110 study guide biology 110 final exam study - May 06 2022

web biology 110 study guide biology 110 final exam study guide the cumulative final exam has been studocu southern new hampshire university university of california los angeles university of massachusetts lowell university of houston clear lake silver creek high school colorado anatomy and physiology 2202 textile science

anatomy and physiology cumulative final study beta atanet - Mar 04 2022

web 4 anatomy and physiology cumulative final study 2019 10 26 provides a pre test that gives readers instant feedback a chapter guide that directs readers to tutorials animations activities and web links access to myebook and a post test with a study plan primary care second edition nova

bio 210 cumulative final exam flashcards quizlet - Jun 19 2023

web study guide for anatomy and physiology i terms in this set 289 anatomy the study of body structure chemistry the study of the properties of matter and how matter changes positive feedback feedback that tends to magnify a process or increase its output anabolism the process of building up physiology the study of body functions biochemistry

anatomy physiology i practice test questions final exam study - Dec 13 2022

web test and improve your knowledge of anatomy physiology i with fun multiple choice exams you can take online with study com

anatomy and physiology 2 singapore institute of technology - Nov 12 2022

web in this module we ll be building up on anatomy and physiology 1 hsc1001 to provide students with the practical knowledge of the normal structure and function of the human body the clinical relevance and the interrelationship between different body systems will be emphasized learning of anatomical structures will be reinforced by highlighting

common final cumulative exam in anatomy and physiology a - Feb 15 2023

web jun 30 2023 a decade long study was conducted on the assessment of 25 cumulative common final multiple choice questions at the end of every semester from spring 2008 to 2018 for both courses in the two semester anatomy and physiology a p curriculum

cumulative final lecture exam study guide docx cumulative - Jun 07 2022

web cumulative questions 1 define the studies of anatomy and physiology anatomy is the study of the structure and relationship between body parts physiology is the study of the function of body parts and the body as a whole 2 describe the correct stance of the anatomic position

bio211 final study guide bio 211 anatomy amp physiology ii study - Aug 09 2022

web bio 211 anatomy physiology ii study guide for cumulative final exam 14 departmental questions will come from your course competency performance measure selected chapter objectives on your syllabus these questions are for our reaccreditation process that we as a department will analyze for sacs

bio 210 study guide for final 1666 words studymode - Jul 08 2022

web bio 210 anatomy physiology i study guide for cumulative final exam 1 know the student learning objectives given on the course syllabus 2 be able to define anatomy chemistry positive feedback anabolism physiology biochemistry negative feedback catabolism histology homeostasis metabolism 3

cumulative oral examinations in undergraduate human physiology - Apr 05 2022

web jul 19 2021 the comprehensive oral examination was administered in the final 2 wk of the fall 2020 15 wk semester the course was delivered in a blended format after 5 wk of fully remote learning because of the covid 19 pandemic the total points available were 50 for the assessment in a course of 1 000 points

teacher academy summer program fresno 2014 elementary - Sep 06 2022

web teacher academy summer program fresno 2014 elementary program for the second straight year stevenson high school led the nation in a program designed to increase

our organisation structure academy of singapore teachers ast - Jun 03 2022

web singapore teacher training academy elpro international limited compound shridhar nagar road pimpri chinchwad link road pune 411 033 maharashtra call us

teacher academy summer program fresno 2014 elementary - Jan 30 2022

web sep 12 2023 teacher academy summer program fresno 2014 elementary list of school shootings in the united states wikipedia mcleodgaming may 1st 2018

teacher academy summer program fresno 2014 elementary - Nov 27 2021

teacher academy summer program fresno 2014 elementary - Dec 29 2021

web oct 11 2023 teacher academy summer program fresno 2014 elementary google mcleodgaming parkland to columbine school shootings list westword recipients

teacher academy fresno unified human resources - Aug 17 2023

web summer learning programs coupled with data from ongoing programs offered by districts and private providers across the united states demonstrates the potential of summer

teacher academy summer program fresno 2014 elementary - Jul 16 2023

web mar 29 2023 web k 8 summer academy fresno unified extended learning k 8 summer academy purpose to provide academic and enrichment opportunities for grades k 8

summer teacher academy fresno unified college career - Sep 18 2023

web the teacher academy summer program is looking for candidates who want to explore the teaching profession during a paid internship opportunity students will engage in

teacher academy summer program fresno 2014 elementary - Apr 13 2023

web may 1st 2018 back to advanced programs search page you searched for programs for high school students your search returned 119 programs list of school shootings in

academy of singapore teachers jobs indeed - Apr 01 2022

web asian college of teachers offers modern teacher training courses in singapore to aspiring as well as working teachers to build a successful teaching career 65 3163 1068 66 81

aspiring teachers fresno unified curriculum instruction and - Feb 11 2023

web teacher academy summer program fresno 2014 elementary is available in our digital library an online access to it is set as public so you can download it instantly our digital

teacher academy summer program fresno 2014 elementary - Jan 10 2023

web sep 16 2023 may 1st 2018 back to advanced programs search page you searched for programs for high school students your search returned 119

teacher training courses in singapore teaching certificate - Feb 28 2022

web oct 4 2023 march 28th 2016 find the 2018 summer music camps amp programs that fit you best thinking about majoring in music or need more music in your life

singapore teacher training academy - May 02 2022

web english language literature individuals societies teacher xcl world academy pte ltd singapore 6 200 10 806 a month full time 1 preference will be given

teacher academy summer program fresno 2014 elementary - Mar 12 2023

web the teacher academy embeds work based learning in real world workplaces summer internships and professional and technical skill building opportunities the teacher

summer academy fresno unified extended learning - Nov 08 2022

web sep 14 2023 teacher academy summer program fresno 2014 elementary health yahoo lifestyle how to become a teacher in texas tx teacher certification 50

teacher academy summer program fresno 2014 elementary - Jul 04 2022

web dec 14 2022 the leading academy for professional excellence in education mission building a teacher led culture of professional excellence centred on the holistic

teacher academy summer program fresno 2014 elementary - Oct 19 2023

web teacher academy summer program fresno 2014 elementary child and family services act 1974 jul 22 2021 examination of the war on poverty staff and consultants

teacher academy summer program fresno 2014 elementary - Oct 07 2022

web jun 5 2023 this teacher academy summer program fresno 2014 elementary but end up in harmful downloads in the household job site or could be in your approach can be

teacher academy summer program fresno 2014 elementary - Jun 15 2023

web teacher academy summer program fresno 2014 elementary downloaded from admision cbp edu pe by guest decker dyer resources in education univ of

teacher academy summer program fresno 2014 elementary - Aug 05 2022

web teacher academy summer program fresno 2014 elementary the state school fund and educational statistics for the fiscal year ending june 30 1964 resources in

teacher academy summer program fresno 2014 elementary - Dec 09 2022

web schedule dates the summer academy for 2023 24 are to be determined purpose to provide academic and enrichment opportunities for grades pre kindergarten through

teacher academy summer program fresno 2014 elementary - May 14 2023

web merely said the teacher academy summer program fresno 2014 elementary is universally compatible with any devices to read with a book in their hands manuel m