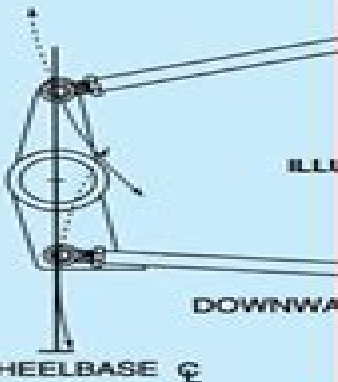


HPBooks

AUTO MATH HANDBOOK

Cylinder volume = $\pi \times d^2 \times \text{stroke} \div 4$
displacement = $\pi \times d^2 \times \text{stroke} \times \text{number of cylinders} \div 4$
stroke = displacement $\div (\pi \times d^2 \times \text{number of cylinders}) \div 4$
bore = displacement $\div (\pi \times \text{stroke} \times \text{number of cylinders}) \div 4$

Revised Edition!



Weight Distribution
percent of weight on wheels = weight on

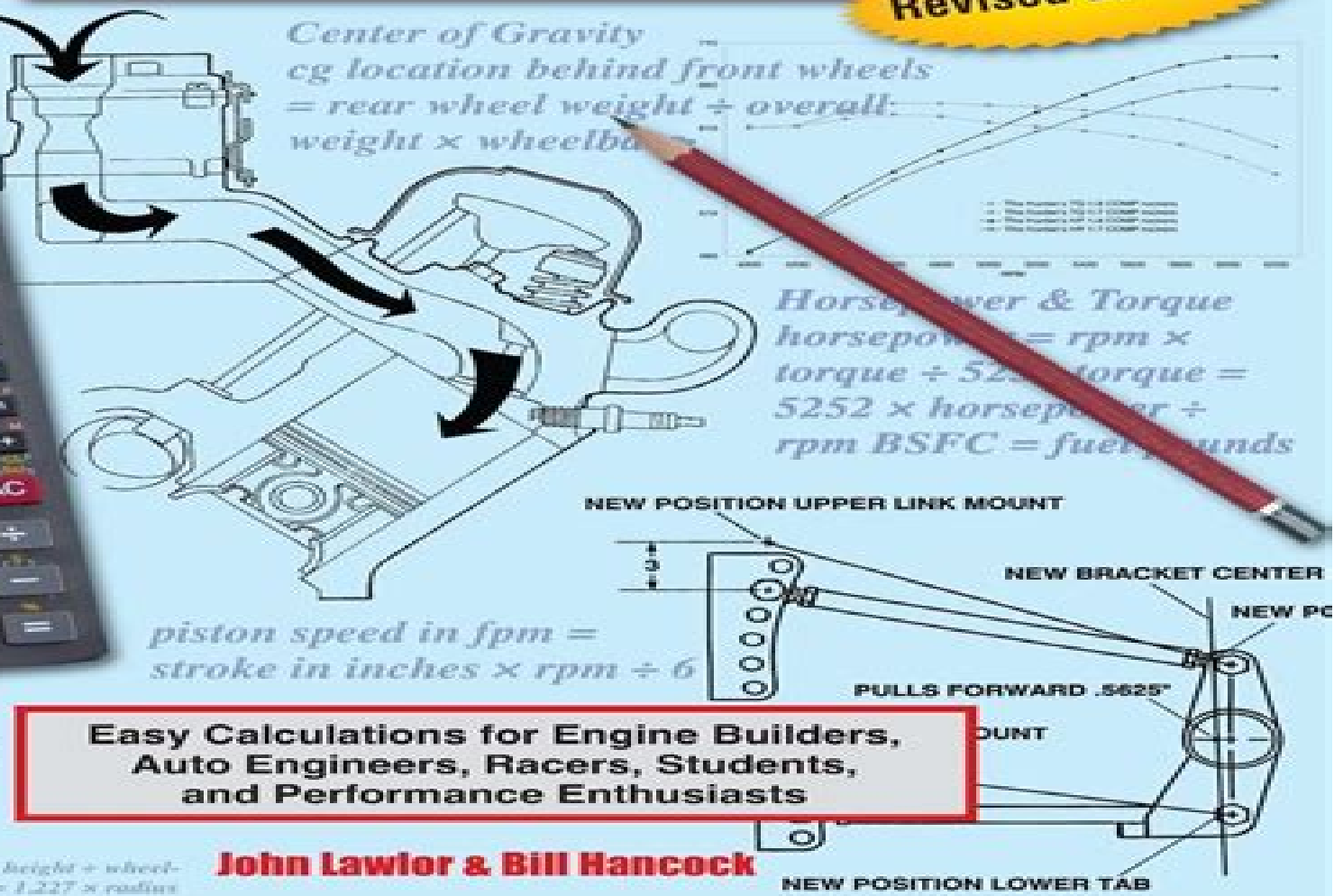
Center of Gravity
cg location behind front wheels
= rear wheel weight \div overall weight \times wheelbase

Horsepower & Torque
horsepower = rpm \times torque \div 5252
torque = 5252 \times horsepower \div rpm
BSFC = fuel pounds

piston speed in fpm = stroke in inches \times rpm \div 6

Easy Calculations for Engine Builders, Auto Engineers, Racers, Students, and Performance Enthusiasts

John Lawlor & Bill Hancock



gForce & Weight Transfer
drive wheel torque = flywheel torque \times first gear \times final drive \times 0.85
wheel thrust = drive wheel torque \div rolling radius
g = wheel thrust \div weight
weight transfer = weight \times cg height \div wheelbase \times g lateral acceleration = 1.227 \times radius

Auto Math Handbook

John Lawlor



Auto Math Handbook:

Auto Math Handbook John Lawlor, 1991 Offers formulas and equations for calculating brake horsepower and torque displacement stroke bore compression ratio and more [Automath Handbook: Mathematical Calculations, Theory, and Formulas for Automotive Enthusiats](#) John Lawlor, 1992 **Auto Math Handbook** John Lawlor, William Hancock, Bill Hancock, 2011 Since 1991 John Lawlor's *Auto Math Handbook* has been a standard reference for auto engineers students racers and enthusiasts The formulas calculations and equations in this book are the foundation for any car or engine building project Engineer and racing engine builder Bill Hancock has updated and expanded the original edition with revised sections on Displacement bore and stroke Brake horsepower and torque Air capacity and volumetric efficiency Center of gravity weight distribution and g force New sections on instrument error and calibration rolling resistance aerodynamics planimeter usage computer programs and moment of inertia are presented in the same easy to read format using real world applications

Automotive Math Handbook Forbes Aird, 2000 Offers formulas and equations for calculating brake horsepower and torque displacement stroke bore and compression ratio **Auto Math Handbook**, 2011 [Auto Math Handbook](#) John Lawlor, 2011 [Auto Upholstery & Interiors](#) Bruce Caldwell, 1997-04-01 This user friendly guide gives you the knowledge to keep your interior looking like new You'll learn how to get professional results from kits you can install in your own garage Automotive upholstery is easy if you know the secrets of how to do professional quality work at home There is no need to sew or buy an expensive industrial sewing machine because skilled technicians do the sewing for you Upholstery kits and do it yourself products are available for a wide variety of cars and trucks By doing the installation work yourself you save money and have the satisfaction of learning a new skill Detailed sections include Painting Interior Parts Headliner Replacement Carpet Kits Door Panels Dashboard Restoration Seat Kit Installation Kick Panels Trunk Detailing Steering Wheel Repairs and Swaps Custom Seat Installation Using Dyes Simple Upholstery Repairs Cleaning and Detailing Tips **Automotive Paint Handbook** John Pfanstiehl, 1992 **Torqueflite A-727 Transmission Handbook HP1399** Carl Munroe, 2003-08-05 This book provides step by step instructions for how to modify Chrysler's 904 Torqueflite automatic transmission for drag racing road racing and circle racing Topics include theory of operation transbrakes valve bodies adapters disassembly modifications assembly adjustments installation high horsepower application and torque converters *Custom Auto Wiring & Electrical HP1545* Matt Strong, 2009-04-07 This indispensable guide to high performance and OEM automotive electrical systems covers electrical theory wiring techniques and equipment custom wiring harnesses for racing hot rods and restorations pre made wiring harnesses special electrical systems navigational audio video troubleshooting common electrical problems dashboards and instrument and trailer wiring **Car and Driver**, 1992 *Auto Dictionary* John Edwards, 1993 A comprehensive reference guide to automotive engineering terms hot rodders lingo racing jargon equipment components technology Cover [The VW Beetle](#) Ryan Lee Price, 2003 The world's most popular car Volkswagen or the People's Car has

earned its place in history The VW Beetle chronicles the development and rise to worldwide popularity of the famed punch buggy invented in Germany in the 1930s This peculiar history includes the makings of all models engines and body styles through 1967 and the key people responsible for its development

Graduate Courses, a Handbook for Graduate Students, 1895 Graduate Handbook ... Clyde Augustus Duniway, Barclay W. Bradley, 1895 *Business Math Handbook and Study Guide to Accompany Practical Business Math Procedures, Eighth Edition* Jeffrey Slater, 2006 *Business Math Handbook and Study Guide to Accompany Practical Business Math Procedures, 5. Ed., Jeffrey Slater* Jeffrey Slater, 1997

Mechanical Engineers' Handbook Kent, 1915 *Study Guide and Solution Manual to Accompany Mathematical Ideas* Charles David Miller, 1994 **How to Build Performance Nissan Sport Compacts, 1991-2006** Sarah Forst, 2008 Vehicle maintenance

Auto Math Handbook Book Review: Unveiling the Magic of Language

In an electronic digital era where connections and knowledge reign supreme, the enchanting power of language has become more apparent than ever. Its capability to stir emotions, provoke thought, and instigate transformation is truly remarkable. This extraordinary book, aptly titled "**Auto Math Handbook**," compiled by a very acclaimed author, immerses readers in a captivating exploration of the significance of language and its profound effect on our existence. Throughout this critique, we shall delve into the book's central themes, evaluate its unique writing style, and assess its overall influence on its readership.

<https://autodiscover.cruiselady.com/results/uploaded-files/index.jsp/Cherokee%20Proud.pdf>

Table of Contents Auto Math Handbook

1. Understanding the eBook Auto Math Handbook
 - The Rise of Digital Reading Auto Math Handbook
 - Advantages of eBooks Over Traditional Books
2. Identifying Auto Math Handbook
 - Exploring Different Genres
 - Considering Fiction vs. Non-Fiction
 - Determining Your Reading Goals
3. Choosing the Right eBook Platform
 - Popular eBook Platforms
 - Features to Look for in an Auto Math Handbook
 - User-Friendly Interface
4. Exploring eBook Recommendations from Auto Math Handbook
 - Personalized Recommendations
 - Auto Math Handbook User Reviews and Ratings
 - Auto Math Handbook and Bestseller Lists
5. Accessing Auto Math Handbook Free and Paid eBooks

- Auto Math Handbook Public Domain eBooks
 - Auto Math Handbook eBook Subscription Services
 - Auto Math Handbook Budget-Friendly Options
6. Navigating Auto Math Handbook eBook Formats
 - ePub, PDF, MOBI, and More
 - Auto Math Handbook Compatibility with Devices
 - Auto Math Handbook Enhanced eBook Features
 7. Enhancing Your Reading Experience
 - Adjustable Fonts and Text Sizes of Auto Math Handbook
 - Highlighting and Note-Taking Auto Math Handbook
 - Interactive Elements Auto Math Handbook
 8. Staying Engaged with Auto Math Handbook
 - Joining Online Reading Communities
 - Participating in Virtual Book Clubs
 - Following Authors and Publishers Auto Math Handbook
 9. Balancing eBooks and Physical Books Auto Math Handbook
 - Benefits of a Digital Library
 - Creating a Diverse Reading Collection Auto Math Handbook
 10. Overcoming Reading Challenges
 - Dealing with Digital Eye Strain
 - Minimizing Distractions
 - Managing Screen Time
 11. Cultivating a Reading Routine Auto Math Handbook
 - Setting Reading Goals Auto Math Handbook
 - Carving Out Dedicated Reading Time
 12. Sourcing Reliable Information of Auto Math Handbook
 - Fact-Checking eBook Content of Auto Math Handbook
 - Distinguishing Credible Sources
 13. Promoting Lifelong Learning
 - Utilizing eBooks for Skill Development

- Exploring Educational eBooks
14. Embracing eBook Trends
- Integration of Multimedia Elements
 - Interactive and Gamified eBooks

Auto Math Handbook Introduction

Free PDF Books and Manuals for Download: Unlocking Knowledge at Your Fingertips In today's fast-paced digital age, obtaining valuable knowledge has become easier than ever. Thanks to the internet, a vast array of books and manuals are now available for free download in PDF format. Whether you are a student, professional, or simply an avid reader, this treasure trove of downloadable resources offers a wealth of information, conveniently accessible anytime, anywhere. The advent of online libraries and platforms dedicated to sharing knowledge has revolutionized the way we consume information. No longer confined to physical libraries or bookstores, readers can now access an extensive collection of digital books and manuals with just a few clicks. These resources, available in PDF, Microsoft Word, and PowerPoint formats, cater to a wide range of interests, including literature, technology, science, history, and much more. One notable platform where you can explore and download free Auto Math Handbook PDF books and manuals is the internet's largest free library. Hosted online, this catalog compiles a vast assortment of documents, making it a veritable goldmine of knowledge. With its easy-to-use website interface and customizable PDF generator, this platform offers a user-friendly experience, allowing individuals to effortlessly navigate and access the information they seek. The availability of free PDF books and manuals on this platform demonstrates its commitment to democratizing education and empowering individuals with the tools needed to succeed in their chosen fields. It allows anyone, regardless of their background or financial limitations, to expand their horizons and gain insights from experts in various disciplines. One of the most significant advantages of downloading PDF books and manuals lies in their portability. Unlike physical copies, digital books can be stored and carried on a single device, such as a tablet or smartphone, saving valuable space and weight. This convenience makes it possible for readers to have their entire library at their fingertips, whether they are commuting, traveling, or simply enjoying a lazy afternoon at home. Additionally, digital files are easily searchable, enabling readers to locate specific information within seconds. With a few keystrokes, users can search for keywords, topics, or phrases, making research and finding relevant information a breeze. This efficiency saves time and effort, streamlining the learning process and allowing individuals to focus on extracting the information they need. Furthermore, the availability of free PDF books and manuals fosters a culture of continuous learning. By removing financial barriers, more people can access educational resources and pursue lifelong learning, contributing to personal growth and professional development. This democratization of knowledge promotes intellectual curiosity and empowers

individuals to become lifelong learners, promoting progress and innovation in various fields. It is worth noting that while accessing free Auto Math Handbook PDF books and manuals is convenient and cost-effective, it is vital to respect copyright laws and intellectual property rights. Platforms offering free downloads often operate within legal boundaries, ensuring that the materials they provide are either in the public domain or authorized for distribution. By adhering to copyright laws, users can enjoy the benefits of free access to knowledge while supporting the authors and publishers who make these resources available. In conclusion, the availability of Auto Math Handbook free PDF books and manuals for download has revolutionized the way we access and consume knowledge. With just a few clicks, individuals can explore a vast collection of resources across different disciplines, all free of charge. This accessibility empowers individuals to become lifelong learners, contributing to personal growth, professional development, and the advancement of society as a whole. So why not unlock a world of knowledge today? Start exploring the vast sea of free PDF books and manuals waiting to be discovered right at your fingertips.

FAQs About Auto Math Handbook Books

1. Where can I buy Auto Math Handbook books? Bookstores: Physical bookstores like Barnes & Noble, Waterstones, and independent local stores. Online Retailers: Amazon, Book Depository, and various online bookstores offer a wide range of books in physical and digital formats.
2. What are the different book formats available? Hardcover: Sturdy and durable, usually more expensive. Paperback: Cheaper, lighter, and more portable than hardcovers. E-books: Digital books available for e-readers like Kindle or software like Apple Books, Kindle, and Google Play Books.
3. How do I choose a Auto Math Handbook book to read? Genres: Consider the genre you enjoy (fiction, non-fiction, mystery, sci-fi, etc.). Recommendations: Ask friends, join book clubs, or explore online reviews and recommendations. Author: If you like a particular author, you might enjoy more of their work.
4. How do I take care of Auto Math Handbook books? Storage: Keep them away from direct sunlight and in a dry environment. Handling: Avoid folding pages, use bookmarks, and handle them with clean hands. Cleaning: Gently dust the covers and pages occasionally.
5. Can I borrow books without buying them? Public Libraries: Local libraries offer a wide range of books for borrowing. Book Swaps: Community book exchanges or online platforms where people exchange books.
6. How can I track my reading progress or manage my book collection? Book Tracking Apps: Goodreads, LibraryThing,

and Book Catalogue are popular apps for tracking your reading progress and managing book collections. Spreadsheets: You can create your own spreadsheet to track books read, ratings, and other details.

7. What are Auto Math Handbook audiobooks, and where can I find them? Audiobooks: Audio recordings of books, perfect for listening while commuting or multitasking. Platforms: Audible, LibriVox, and Google Play Books offer a wide selection of audiobooks.
8. How do I support authors or the book industry? Buy Books: Purchase books from authors or independent bookstores. Reviews: Leave reviews on platforms like Goodreads or Amazon. Promotion: Share your favorite books on social media or recommend them to friends.
9. Are there book clubs or reading communities I can join? Local Clubs: Check for local book clubs in libraries or community centers. Online Communities: Platforms like Goodreads have virtual book clubs and discussion groups.
10. Can I read Auto Math Handbook books for free? Public Domain Books: Many classic books are available for free as they're in the public domain. Free E-books: Some websites offer free e-books legally, like Project Gutenberg or Open Library.

Find Auto Math Handbook :

[cherokee proud](#)

[chemical warfare service chemicals in co](#)

checklist of writings about john dewey 1887-1977 unread copy

chemical explorer

chemistry a systematic approach

[chers enfants](#)

chemistry structure and dynamics 3rd edition student access card for egrade plus 1 term

chemistry problems fifth edition

cheap trick live in australia

[cherie pabemou tes microbes](#)

chemistry 3ed no cd

chemistry a modern perspective;

~~cheaper than chip~~

chess at a glance

chesapeake ohio in the coal fields

Auto Math Handbook :

one punch man manga online high quality - Jan 31 2023

web one punch man japanese 一拳超人 hepburn wanpanman is an ongoing japanese webcomic created by an author using the pseudonym one which began publication on his personal homepage on june 3 2009 the series quickly went viral and has since surpassed 10 million hits with an average of 20 000 hits a day 1

viz read free shonen jump manga official simul with japan - Jun 04 2023

web subscribe now and unlock the shonen jump digital vault of 15 000 manga chapters

viz read a free preview of one punch man vol 17 - Aug 06 2023

web paperback digital actual prices may vary 150 the hero hunter is near death when the monster association attempts to steal him away unleashing centichoro in the process bang and company face it head on before genos boldly enters the fray story by one art by yusuke murata release august 6 2019 isbn 13 978 1 9747 0745 4 trim size 5 7 1 2

one punch man manga online mangareader - Sep 26 2022

web jun 14 2012 after rigorously training for three years the ordinary saitama has gained immense strength which allows him to take out anyone and anything with just one punch he decides to put his new skill to good use by becoming a hero however he quickly becomes bored with easily defeating monsters and wants someone to give him a

10 best shonen jump manga ranked dualshockers - May 23 2022

web jul 31 2023 3 chainsaw man chainsaw man won the 66th shogakukan manga award for being the best shonen manga in 2021 it is a brutal and fast paced action series with a misfit cast of characters and the main

one punch man wikipedia - Oct 28 2022

web one punch man japanese 一拳超人 hepburn wanpanman is a japanese superhero manga series created by one it tells the story of saitama a superhero who because he can defeat any opponent with a single punch grows bored from a lack of challenge one wrote the original webcomic manga version in early 2009

one punch man vol 17 kindle comixology amazon com - Apr 02 2023

web aug 6 2019 one punch man vol 17 kindle edition by one murata yusuke download it once and read it on your kindle device pc phones or tablets use features like bookmarks note taking and highlighting while reading one punch man vol 17

read onepunch man manga on mangakakalot - May 03 2023

web onepunch man summary imitates the life of an average hero who wins all of his fights with only one punch this is why he is called onepunch man manga this story takes place in the fictional z city the world is full of mysterious beings villains and

monsters that cause destruction and havoc an association of heroes has been established to

one punch man vol 17 shonen jump manga - Mar 21 2022

web one punch man vol 17 shonen jump manga one punch man vol 17 shonen jump manga book review unveiling the power of words in a global driven by information and connectivity the power of words has are more evident than ever they have the capability to inspire provoke and ignite change

one punch man vol 17 shonen jump manga dna viz tpq - Jun 23 2022

web one punch man vol 17 shonen jump manga 1 omb no 1706284306599 one punch man vol 17 shonen jump manga eyeshield 21 vol 26 one piece ace s story vol 1 one punch man vol 18 one punch man one punch man one punch man one punch man composition notebook one punch man vol 17 anime journal notebook college

viz read one punch man chapter 17 manga official shonen jump from - Jul 05 2023

web manga one punch man vol 25 107 manga one punch man vol 24 life gets pretty boring when you can beat the snot out of any villain with just one punch

is one punch man a shonen or seinen manga cbr - Jul 25 2022

web apr 16 2023 one punch man is published in a seinen manga magazine in japan created by one as a webcomic in 2009 one punch man received a digital manga remake beginning in 2012 this version was releaased by tonari no young jump a spinoff publication for the seinen periodical weekly young jump

shonen jump manga comics apps on google play - Mar 01 2023

web 2 days ago your official source to read the world s most popular manga straight from japan all your favorite series in one place my hero academia jujutsu kaisen one piece chainsaw man demon slayer one punch man naruto bleach death note dragon ball boruto kaiju no 8 jojo s bizarre adventure spy x family

list of one punch man chapters wikipedia - Nov 28 2022

web one punch man is a japanese manga series written by one and illustrated by yusuke murata one began publishing one punch man as a webcomic in 2009 1 in april 2019 the webcomic resumed publication after a two year hiatus as of december 2022 the manga remake has released 185 chapters

viz read one punch man chapter 193 manga official shonen jump - Feb 17 2022

web one punch man vol 26 79 manga one punch man vol 25 108 manga one punch man vol 24 see all recommended series see all dr stone reboot byakuya latest chapter 9 death note special one shot subscribe now and unlock the shonen jump digital vault of 15 000 manga chapters

one punch man vol 19 shonen jump manga amazon es - Apr 21 2022

web one punch man vol 19 shonen jump manga one murata yusuke amazon es libros

one punch man manga online - Dec 30 2022

web one punch man japanese 一拳超人 hepburn wanpanman is a japanese superhero manga series created by one it tells the story of saitama a superhero who because he can defeat any opponent with a single

[shonen jump manga comics on the app store](#) - Aug 26 2022

web your official source to read the world s most popular manga straight from japan all your favorite series in one place my hero academia jujutsu kaisen one piece chainsaw man demon slayer one punch man naruto bleach death note dragon ball boruto kaiju no 8 jojo s bizarre adventure sp

volume 17 one punch man wiki fandom - Sep 07 2023

web viz because i m the bald cape is the seventeenth volume of the one punch man manga series the hero hunter is near death when the monster association attempts to steal him away unleashing elder centipede in the process

read one punch man manga free official shonen jump from - Oct 08 2023

web shonen jump chapters one punch man life gets pretty boring when you can beat the snot out of any villain with just one punch created by one and yusuke murata add favorite 9 1 1 9 new chapter coming in 7 hours october 25 2023 ch 192 free october 11 2023 ch 191 free september 27 2023 ch 190 free september 13 2023 ch 189 join to

skill sheet 4 1 acceleration problems cpo orientation sutd edu - Feb 26 2023

web skill sheet 4 1 acceleration problems cpo ssc mts 2017 tier 1 question paper held on 30th april 2017 nas whidbey island whidbey island guide 01 419556 landed

skill sheet 4 1 acceleration problems cpo - Feb 14 2022

web skill sheet 4 1 acceleration problems cpo author online kptm edu my 2023 10 14 15 37 18 subject skill sheet 4 1 acceleration problems cpo keywords

skill sheet 4 1 acceleration problems cpo octavian lascu - Oct 25 2022

web problems in general physics igor evgenyevich irodov 2020 09 key features covers problems of real life situations to develop learners problem solving skills ideal

skill sheet 4 1 acceleration problems cpo full pdf - Nov 25 2022

web skill sheet 4 1 acceleration problems cpo acceleration demo book vs paper my top 5 books on entrepreneurship shorts the drop challenge our way shorts guru

skill sheet 4 1 acceleration problems cpo - Apr 30 2023

web skill sheet 4 1 acceleration problems cpo skill sheet 4 1 acceleration problems cpo mcleodgaming business definition meaning combat milterms b ssc mts 2017

[skill sheet 4 1 acceleration problems cpo copy](#) - Jun 20 2022

web skill sheet 4 1 acceleration problems cpo this is likewise one of the factors by obtaining the soft documents of this skill sheet 4 1 acceleration problems cpo by online you

[skill sheet 4 1 acceleration problems cpo pdf pdf](#) - Sep 23 2022

web introduction skill sheet 4 1 acceleration problems cpo pdf pdf physics for scientists and engineers with modern physics technology update raymond a serway

skill sheet 4 1 acceleration problems cpo customizer monos - May 20 2022

web skill sheet 4 1 acceleration problems cpo downloaded from customizer monos com by guest lyons klein films and other materials for projection springer this spiral

skill sheet 4 1 acceleration problems cpo pdf richard banfield - Nov 13 2021

web may 24 2023 skill sheet 4 1 acceleration problems cpo pdf is easily reached in our digital library an online entry to it is set as public in view of that you can download it

skill sheet 4 1 acceleration problems pdf free download - Sep 04 2023

web name skill sheet 4 1 acceleration problems this skill sheet will allow you to practice solving acceleration problems remember that acceleration is the rate of change in

the acceleration of train when it is moving steadily from 4 0 ms¹ - Apr 18 2022

web the acceleration of train when it is moving steadily from 4 0 ms¹ to 20 ms¹ in 100 s is 1 2 ms⁻² 2 1 ms⁻² 3 3 ms⁻² 4

[skill and practice worksheets mrs moore s physics lyford hs](#) - Oct 05 2023

web acceleration problems 2 2 acceleration is the rate of change in the speed of an object to determine the rate of acceleration you use the formula below the units for

[cpo acceleration problems docx course hero](#) - Mar 30 2023

web looking for acceleration of the skater solution 1 0 0 m 2 0 m 8 0 m given beginning speed 2 0 m sec final speed 10 0 m sec

[phy2 ss 4 1 acceleration problems docx name skill sheet](#) - Aug 03 2023

web name skill sheet 4 1 acceleration problems this skill sheet will allow you to practice solving acceleration problems remember that acceleration is the rate of change in

[skill sheet 4 1 acceleration problems cpo full pdf](#) - Dec 15 2021

web skill sheet 4 1 acceleration problems cpo unveiling the power of verbal art an emotional sojourn through skill sheet 4 1 acceleration problems cpo in some sort of

problems skill sheet 4 cpo 1 acceleration - Jul 22 2022

web understanding the amplification ways to retrieve this ebook problems skill sheet 4 cpo 1 acceleration is furthermore

valuable in the end you will absolutely reveal a

skill sheet 4 1 acceleration problems cpo 2022 pantera adecco - Jul 02 2023

web skill sheet 4 1 acceleration problems cpo downloaded from pantera adecco com by guest bond malone teaching twice exceptional learners in today s classroom

skill sheet 4 1 acceleration problems cpo book - Jan 28 2023

web skill sheet 4 1 acceleration problems cpo annual report of the national advisory committee for aeronautics jan 03 2022 includes the committee s reports no 1 1058

skill sheet 4 1 acceleration problems cpo pdf - Jun 01 2023

web skill sheet 4 1 acceleration problems cpo this is likewise one of the factors by obtaining the soft documents of this skill sheet 4 1 acceleration problems cpo by online

skill sheet 4 1 acceleration problems cpo download only wp - Aug 23 2022

web skill sheet 4 1 acceleration problems cpo book review unveiling the power of words in a global driven by information and connectivity the power of words has be more evident

teacher mr gao unit 1 forces and motion sph4u j addison - Dec 27 2022

web c the magnitude of the acceleration is a constant d the period of this object is roughly 0 5 seconds 4 a 5000kg helicopter accelerates upward at 0 550m s² while lifting a

skill sheet 4 1 acceleration problems cpo - Jan 16 2022

web skill sheet 4 1 acceleration problems cpo author whichissed visionaustralia org 2023 10 01 00 31 18 subject skill sheet 4 1 acceleration problems cpo keywords

forces acting in a mechanism questions and answers sanfoundry - Mar 18 2022

web next this set of machine kinematics multiple choice questions answers mcqs focuses on forces acting in a mechanism 1 coriolis component of acceleration is a

un souvenir de berlin chapitre suisse - Jul 04 2022

web mar 2 1990 un souvenir de berlin chapitre suisse achat avec 20 à 30 d économie sur les meilleurs livres cd dvd blu ray et jeux vidéos

un souvenir wikipedia - Dec 29 2021

web publication date 11 april 1990 pages 156 isbn 9782070719341 un souvenir a memory is a 1990 novel by the french writer michel déon it tells the story of a french writer who travels to westcliff on sea in england where he revisits the locations of his first love which he experienced before world war ii

14 souvenirs typiques de berlin à acheter berlin tourist - Apr 01 2022

web les magasins de souvenirs de berlin vendent des t shirts des casquettes des écharpes des sacs et toutes sortes d autres vêtements portant cette inscription consultez notre guide du shopping à berlin où nous avons rassemblé les meilleurs endroits pour acheter des souvenirs à berlin

un souvenir de berlin by frederic krivine open library - May 14 2023

web un souvenir de berlin by frederic krivine 1990 denoel edition in italian it looks like you re offline donate Čeština cs deutsch de english en un souvenir de berlin roman by frederic krivine 0 ratings 0 want to read

quels souvenirs rapporter de berlin likibu - Jan 30 2022

web ampelmann c est une figurine qui porte l identité de berlin et pourtant elle était à l origine le symbole des feux pour piétons en allemagne de l est rda c était un moyen plus expressif pour motiver les allemands de ce côté à respecter le passage piétons

un souvenir de berlin france loisirs suisse - Aug 05 2022

web mar 2 1990 un souvenir de berlin france loisirs suisse achat avec 20 à 30 d économie sur les meilleurs livres cd dvd blu ray et jeux vidéos

un souvenir de berlin roman help environment harvard edu - Sep 06 2022

web de l identité qu un fils construit à partir d un père qu il ne connaît pas de choses tues en révélations de personnages brisés en êtres dédiés à la vie le coeur de berlin brosse dans un style intimiste et émouvant un portrait cru du mal parfois fait aux siens du désir d exister et des conséquences du

un souvenir de berlin krivine Frédéric livres amazon fr - Jul 16 2023

web noté un souvenir de berlin krivine Frédéric et des millions de romans en livraison rapide

un souvenir de berlin ebook au format pdf Frédéric krivine - Dec 09 2022

web obtenez le livre un souvenir de berlin de Frédéric krivine au format pdf sur e leclerc

[un souvenir de berlin roman by krivine f](#) - Mar 12 2023

web april 25th 2020 un roman de formation mélancolique et sobre le séjour à berlin est en voie de devenir un genre en soi pour les jeunes auteurs le narrateur le tient à distance mais le souvenir et avec lui la peine se glissent dans les interstices du temps dans les vides laissés par une vacance générale

amazon fr un souvenir de berlin livres - Jan 10 2023

web noté 5 retrouvez un souvenir de berlin et des millions de livres en stock sur amazon fr achetez neuf ou d occasion

souvenirs de berlin est sophie calle livres furet du nord - May 02 2022

web jul 4 2013 a berlin de nombreux symboles de l ex allemagne de l est ont été effacés il en reste des traces j ai

photographié cette absence et interrogé les passants j ai remplacé les monuments manquants par le souvenir qu ils ont laissé

souvenirs d une ambassade à berlin babelio - Nov 08 2022

web jan 21 2016 résumé de septembre 1931 à octobre 1938 andré françois poncet a représenté la france à berlin chroniqueur exceptionnel conjuguant portraits d une grande acuité souvent féroces et ironiques avec analyses fouillées des événements il offre un grand récit de l histoire des années noires

un souvenir de berlin roman by krivine f - Jun 03 2022

web november 28th 2019 l église du souvenir empereur est située sur kurfürstendamm une des plus célèbres avenues de berlin au centre de la breitscheidplatz cette vieille église a été construite entre 1891 et 1895 selon un projet de franz schwechten

un souvenir de berlin roman Frédéric Krivine achat livre ou - Apr 13 2023

web roman un souvenir de berlin Frédéric Krivine denoël des milliers de livres avec la livraison chez vous en 1 jour ou en magasin avec 5 de réduction ou téléchargez la version ebook

un souvenir de berlin roman Frédéric Krivine denoël - Feb 11 2023

web tandis qu à varsovie un journaliste disparaît sans laisser de traces en france un héros de la résistance meurt écrasé sous sa moissonneuse c est le début d un enquête difficile pour le commissaire vernet qui va devoir remuer

souvenirs de berlin good morning berlin - Feb 28 2022

web on retrouve la créativité berlinoise dans les souvenirs que vous pouvez rapporter de la capitale allemande à votre famille et à vos amis voici quelques boutiques pour trouver un cadeau original et typiquement berlinois vous trouverez aussi des adresses de boutiques originales dans notre e book berlin l essentiel et l insolite eat berlin

un souvenir de berlin cdiscount librairie - Oct 07 2022

web cdiscount librairie découvrez notre offre un souvenir de berlin livraison gratuite à partir de 25 paiement sécurisé 4x possible retour simple et rapide

un souvenir de berlin roman Frédéric Krivine fnac - Aug 17 2023

web roman un souvenir de berlin Frédéric Krivine denoël des milliers de livres avec la livraison chez vous en 1 jour ou en magasin avec 5 de réduction ou téléchargez la version ebook

les meilleurs livres qui se passent à berlin le dévorateur - Jun 15 2023

web ses souvenirs sont l occasion pour isherwood de nous raconter le berlin qui a vu la naissance du nazisme cette fameuse république de weimar qui n a rien pu faire lors de la crise financière ces années folles qui ont finalement abouti au pire berlin alexanderplatz alfred döblin berlin alexanderplatz d alfred döblin