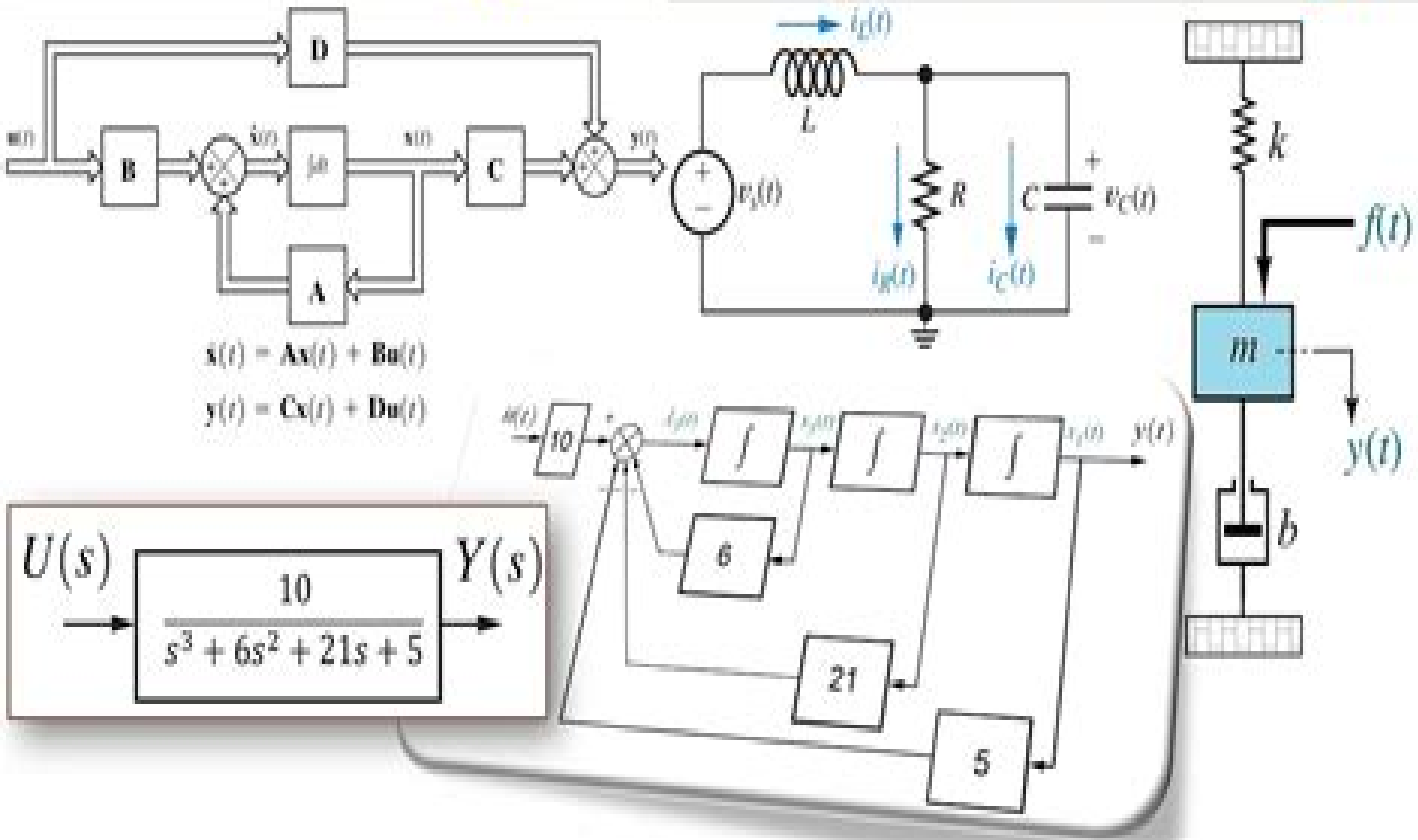


State-Space Modeling



Dynamic Feature Space Modelling Filterin

S. Mittnik



Dynamic Feature Space Modelling Filterin:

Dynamic Feature Space Modelling, Filtering and Self-Tuning Control of Stochastic Systems Pieter W.

Otter,2012-12-06 The literature on systems seems to have been growing almost exponentially during the last decade and one may question whether there is need for another book In the author's view most of the literature on systems is either technical in mathematical sense or technical iff engineering sense with technical words such as noise filtering etc and not easily accessible to researchers in other fields in particular not to economists econometricians and quantitative researchers in social sciences This is unfortunate because achievements in the rather young science of system theory and system engineering are of importance for modelling estimation and regulation control problems in other branches of science State space modelling the concept of observability and controllability the mathematical formulations of stability the so called canonical forms prediction error estimation optimal control and Kalman filtering are some examples of results of system theory and system engineering which proved to be successful in practice A brief summary of system theoretical concepts is given in Chapter II where an attempt has been made to translate the concepts into the more familiar language used in econometrics and social sciences by means of examples By interrelating concepts and results from system theory with those from econometrics and social sciences the author has attempted to narrow the gap between the more technical sciences such as engineering and social sciences and econometrics and to contribute to either side

System-Theoretic Methods in Economic Modelling

I S. Mittnik,2014-06-28 The value of applying system theoretic concepts to economic modelling problems arises from the fact that it offers a unifying framework for modelling dynamic systems In addition to offering this powerful conceptual framework it provides a wide range of tools useful in applied work System theoretic techniques enter predominantly two stages of economic modelling efforts the stage of model construction and the stage of model application in accordance with the modelling The objective of this and subsequent volumes on System Theoretic Methods in Economic Modelling I is to initiate and or intensify dialogues between researchers and practitioners within and across the disciplines involved This first volume brings together papers exhibiting a wide range of system theoretic techniques and applications to economic problems The papers have been divided into two groups following roughly but not necessarily the above classification into the construction and application stages of economic modelling The papers in the first group focus on the identification of dynamic and static systems while the papers in the second group address dynamic optimization problems

System-Theoretic Methods in Economic Modelling II S. Mittnik,2014-06-28 System Theoretic Methods in Economic Modelling II complements the editor's earlier volume bringing together current research efforts integrating system theoretic concepts with economic modelling processes The range of papers presented here goes beyond the long accepted control theoretic contributions in dynamic optimization and focuses on system theoretic methods in the construction as well as the application stages of economic modelling This volume initiates new and intensifies existing debate between researchers and practitioners within and across

the disciplines involved with the objective of encouraging interdisciplinary research The papers are split into four sections estimation filtering and smoothing problems in the context of state space modelling applying the state space concept to financial modelling modelling rational expectation and a miscellaneous section including a follow up case study by Tse and Khilnani on their integrated system model for a fishery management process which featured in the first volume

Estimation of Dynamic Econometric Models with Errors in Variables Jaime Terceiro Lomba,2012-12-06 A new procedure for the maximum likelihood estimation of dynamic econometric models with errors in both endogenous and exogenous variables is presented in this monograph A complete analytical development of the expressions used in problems of estimation and verification of models in state space form is presented The results are useful in relation not only to the problem of errors in variables but also to any other possible econometric application of state space formulations *Dynamic Modelling of Stochastic Demand for Manufacturing Employment* Gerard A. Pfann,2013-12-21 In this book interrelated factor demand models are surveyed New methods are developed and are analysed empirically using Dutch and U K time series data New methods are discussed for obtaining closed form solutions of linear rational expectations models providing deeper insights into the identification of structural parameters of underlying theoretical models recently developed time series techniques are applied in order to estimate structural parameters and test for model specification stationarity and stability through time new models are developed in which the rather stringent and questionable restrictions of symmetry generally imposed upon stochastic adjustment models of labour demand are relaxed the models are analysed empirically using time series data of Dutch and U K manufacturing production and nonproduction workers *The Elements of a Nonlinear Theory of Economic Dynamics* Carl Chiarella,2012-12-06 Elements of a Nonlinear Theory of Economic Dynamics provides both a framework and a survey of its needs First principle results and techniques of the theory relevant to applications in dynamic economics are discussed then their application in view of older endogenous cycle theories are considered in a unified mathematical framework Models incorporating the government budget constraint and the Goodwin model are analysed using the method of averaging and the centre manifold theory The dynamic instability problem is solved by placing models in a nonlinear framework **Models of Economic Dynamics** Hugo F. Sonnenschein,2012-12-06 Nonlinear Economic Dynamics Tõnu Puu,2013-03-14 The present study is a preliminary draft on nonlinear economic dynamics with which the author has been concerned the last years It grew out from the joint work by Professor Martin Beckmann and the present author on nonlinear statics in spatial economics Beckmann and Puu Spatial Economics North Holland 1985 The monograph mentioned contains sections on price waves and business cycles but in a linear format The rest is static theory The author has finally come to the conviction that linear dynamic modelling has very little to yield This is due to the poor set of alternatives decay or explosion of motion pertinent to linear models Therefore the present work centres on non linearity Another distinction is that only purely causal models are dealt with as those formatted as inter temporal equilibria hardly

belong to the more restricted field of dynamics The spatial origin is visible in the choice of models Chapter 2 summarizes the work by the author on the structural stability of continuous spatial market equilibrium models Chapter 3 deals with a reformulation of the ingenious population growth and diffusion model invented by the young Hotelling in 1921 Chapter 4 is a detailed digression on business cycle models in a continuous spatial format with interregional trade

Optimal State Estimation Dan Simon, 2006-06-19 A bottom up approach that enables readers to master and apply the latest techniques in state estimation This book offers the best mathematical approaches to estimating the state of a general system The author presents state estimation theory clearly and rigorously providing the right amount of advanced material recent research results and references to enable the reader to apply state estimation techniques confidently across a variety of fields in science and engineering While there are other textbooks that treat state estimation this one offers special features and a unique perspective and pedagogical approach that speed learning Straightforward bottom up approach begins with basic concepts and then builds step by step to more advanced topics for a clear understanding of state estimation Simple examples and problems that require only paper and pen to solve lead to an intuitive understanding of how theory works in practice MATLAB r based source code that corresponds to examples in the book available on the author s Web site enables readers to recreate results and experiment with other simulation setups and parameters Armed with a solid foundation in the basics readers are presented with a careful treatment of advanced topics including unscented filtering high order nonlinear filtering particle filtering constrained state estimation reduced order filtering robust Kalman filtering and mixed Kalman H filtering Problems at the end of each chapter include both written exercises and computer exercises Written exercises focus on improving the reader s understanding of theory and key concepts whereas computer exercises help readers apply theory to problems similar to ones they are likely to encounter in industry With its expert blend of theory and practice coupled with its presentation of recent research results Optimal State Estimation is strongly recommended for undergraduate and graduate level courses in optimal control and state estimation theory It also serves as a reference for engineers and science professionals across a wide array of industries

Dynamic Feature Space Modelling, Filtering and Self-Tuning Control of Stochastic Systems Pieter W Otter, 1985-07 *Economic Dynamics* Wei-Bin Zhang, 2012-12-06 The theory of economic development is a branch of economic dynamics Any discussion of the theory must involve dynamics even though not all dynamic problems are necessarily related to economic development The theory s primary locus is upon the nice paths of economic variables Stationary states which have been the main concern of modern economic development theory are actually special cases of economic dynamics In this study we propose an economic development theory within the framework of input output systems and neoclassical economics No political problems will be dealt with although this does not mean that questions such as why Japan had a higher growth rate than China in the past are not important Similarly rather than dealing with the psychological and institutional aspects of in economic development processes we only suggest ways or methods as

Hicks would call them for analyzing what determines economic development from the point of view of pure economics Our main contribution to economic growth theory is that we investigate various nonlinear dynamic phenomena such as bifurcations and economic cycles We emphasize that oscillations and structural changes are not rare but universal in a progressive economy No economic system can be stabilized forever if change is permitted

Empirical Modeling of Exchange Rate Dynamics Francis X. Diebold, 2012-12-06 Structural exchange rate modeling has proven extremely difficult during the recent post 1973 float The disappointment climaxed with the papers of Meese and Rogoff 1983a 1983b who showed that a naive random walk model distinctly dominated received theoretical models in terms of predictive performance for the major dollar spot rates One purpose of this monograph is to seek the reasons for this failure by exploring the temporal behavior of seven major dollar exchange rates using nonstructural time series methods The Meese Rogoff finding does not mean that exchange rates evolve as random walks rather it simply means that the random walk is a better stochastic approximation than any of their other candidate models In this monograph we use optimal model specification techniques including formal unit root tests which allow for trend and find that all of the exchange rates studied do in fact evolve as random walks or random walks with drift to a very close approximation This result is consistent with efficient asset markets and provides an explanation for the Meese Rogoff results Far more subtle forces are at work however which lead to interesting econometric problems and have implications for the measurement of exchange rate volatility and moment structure It is shown that all exchange rates display substantial conditional heteroskedasticity A particularly reasonable parameterization of this conditional heteroskedasticity which captures the observed clustering of prediction error variances is developed in Chapter 2

System-theoretic Methods in Economic Modelling S. Mitnik, E. Y. Rodin, 1989 The value of applying system theoretic concepts to economic modelling problems arises from the fact that it offers a unifying framework for modelling dynamic systems In addition to offering this powerful conceptual framework it provides a wide range of tools useful in applied work System theoretic techniques enter predominantly two stages of economic modelling efforts the stage of model construction and the stage of model application in accordance with the modelling The objective of this and subsequent volumes on System Theoretic Methods in Economic Modelling I is to initiate and or intensify dialogues between researchers and practitioners within and across the disciplines involved This first volume brings together papers exhibiting a wide range of system theoretic techniques and applications to economic problems The papers have been divided into two groups following roughly but not necessarily the above classification into the construction and application stages of economic modelling The papers in the first group focus on the identification of dynamic and static systems while the papers in the second group address dynamic optimization problems

Technological Change, Employment, and Spatial Dynamics Peter Nijkamp, 1986 *Capacity Oriented Analysis and Design of Production Systems* M.B.M. de Koster, 1989-01-25 This book gives an analysis of capacity performance of multi stage multi product production systems Special attention is given to

performance criteria like throughput average work in process and average throughput time A model is developed to represent such production systems A development of a single product continuous product flow model is given along with an analysis of the model for different layouts and different control systems Attention is given to layouts like flow lines assembly disassembly systems buffersharing networks and control systems like base stock control workload control control by finite buffers and control by reorder point systems The model and analysis techniques are applied to three different multi stage multi product case situations

Exogeneity in Error Correction Models Jean-Pierre Urbain,1993-06-14 In the recent years the study of cointegrated time series and the use of error correction models have become extremely popular in the econometric literature This book provides an analysis of the notion of weak exogeneity which is necessary to sustain valid inference in sub systems inthe framework of error correction models ECMs In many practical situations the applied econometrician wants to introduce structure on his her model in order to get economically meaningful coefficients For thispurpose ECMs in structural form provide an appealing framework allowing the researcher to introduce theoretically motivated identification restrictions on the long run relationships In this case the validity of the inference will depend on a number of conditions which are investigated here In particular we point out that orthogonality tests often used to test for weak exogeneity or for general misspecification behave poorly in finite samples and are often not very useful in cointegrated systems

Methodology and Software for Interactive Decision Support Andrzej Lewandowski,Ivan Stanchev,1989-09-06 This book presents the recent developments in methodology theory software and implementation of Decision Support Systems This includes Theory and algorithms for multiple criteria optimization with such topics dicussed like multiple criteria optimization in hierarchical systems relations between simulation and gaming for conflict resolution sensitivity and trade offs analysis in multiobjective programming Theory methodology and software for decision support systems with such topics discussed like the principles of building Decision Support Systems as well as software tools for building such systems supporting certain classes of decision problems are presented Applications of Decision Support Systems and computer implementations of decision support systems This includes experience in applying DSS for industry management bank management water system management

Infinite Horizon Optimal Control Dean A. Carlson,Alain Haurie,1987

Integer Programming and Related Areas Rabe Randow,Universität Bonn. Institut für Ökonometrie und Operations Research,1990

Game Theoretical Foundations of Evolutionary Stability Immanuel M. Bomze,Benedikt M. Pötscher,1989-02-22 These Lecture Notes arose from discussions we had over a working paper written by the first author in fall 1987 We decided then to write a short paper about the basic structure of evolutionary stability and found ourselves ending up with a book manuscript Parts of the material contained herein were presented in a seminar at the Department of Mathematics at the University of Vienna as well as at a workshop on evolutionary game theory in Bielefeld The final version of the manuscript has certainly benefitted from critical comments and suggestions by the participants of both the seminar

and the workshop Thanks are also due to S Bomze de Barba R Burger G Danninger J Hofbauer R Selten K Sigmund G Stiasny and F Weising The co operation of W Muller from Springer Verlag Heidelberg is gratefully acknowledged Vienna November 1988 Immanuel M Bomze Benedikt M Potscher III Contents 1 Introduction 1 2 Strategies and payoffs 5 2 1 A general setting for evolutionary game theory 6 2 2 Mixed strategies and population games 8 2 3 Finite number of strategies 13 2 4 Infinitely many pure strategies 15 2 5 Structured populations asymmetric contests and multitype games 17 2 6 Additional remarks 21 3 Evolutionary stability 25 3 1 Definition of evolutionary stability 25 3 2 Evolutionary stability and solution concepts in classical game theory 30 3 3 Conditions for evolutionary stability based on the normal cone 31 3 4

Dynamic Feature Space Modelling Filterin Book Review: Unveiling the Power of Words

In a world driven by information and connectivity, the energy of words has become more evident than ever. They have the capability to inspire, provoke, and ignite change. Such is the essence of the book **Dynamic Feature Space Modelling Filterin**, a literary masterpiece that delves deep in to the significance of words and their affect our lives. Written by a renowned author, this captivating work takes readers on a transformative journey, unraveling the secrets and potential behind every word. In this review, we shall explore the book is key themes, examine its writing style, and analyze its overall impact on readers.

<https://autodiscover.cruiselady.com/files/uploaded-files/fetch.php/Coming%20To%20Canada.pdf>

Table of Contents Dynamic Feature Space Modelling Filterin

1. Understanding the eBook Dynamic Feature Space Modelling Filterin
 - The Rise of Digital Reading Dynamic Feature Space Modelling Filterin
 - Advantages of eBooks Over Traditional Books
2. Identifying Dynamic Feature Space Modelling Filterin
 - Exploring Different Genres
 - Considering Fiction vs. Non-Fiction
 - Determining Your Reading Goals
3. Choosing the Right eBook Platform
 - Popular eBook Platforms
 - Features to Look for in an Dynamic Feature Space Modelling Filterin
 - User-Friendly Interface
4. Exploring eBook Recommendations from Dynamic Feature Space Modelling Filterin
 - Personalized Recommendations
 - Dynamic Feature Space Modelling Filterin User Reviews and Ratings
 - Dynamic Feature Space Modelling Filterin and Bestseller Lists

5. Accessing Dynamic Feature Space Modelling Filterin Free and Paid eBooks
 - Dynamic Feature Space Modelling Filterin Public Domain eBooks
 - Dynamic Feature Space Modelling Filterin eBook Subscription Services
 - Dynamic Feature Space Modelling Filterin Budget-Friendly Options
6. Navigating Dynamic Feature Space Modelling Filterin eBook Formats
 - ePub, PDF, MOBI, and More
 - Dynamic Feature Space Modelling Filterin Compatibility with Devices
 - Dynamic Feature Space Modelling Filterin Enhanced eBook Features
7. Enhancing Your Reading Experience
 - Adjustable Fonts and Text Sizes of Dynamic Feature Space Modelling Filterin
 - Highlighting and Note-Taking Dynamic Feature Space Modelling Filterin
 - Interactive Elements Dynamic Feature Space Modelling Filterin
8. Staying Engaged with Dynamic Feature Space Modelling Filterin
 - Joining Online Reading Communities
 - Participating in Virtual Book Clubs
 - Following Authors and Publishers Dynamic Feature Space Modelling Filterin
9. Balancing eBooks and Physical Books Dynamic Feature Space Modelling Filterin
 - Benefits of a Digital Library
 - Creating a Diverse Reading Collection Dynamic Feature Space Modelling Filterin
10. Overcoming Reading Challenges
 - Dealing with Digital Eye Strain
 - Minimizing Distractions
 - Managing Screen Time
11. Cultivating a Reading Routine Dynamic Feature Space Modelling Filterin
 - Setting Reading Goals Dynamic Feature Space Modelling Filterin
 - Carving Out Dedicated Reading Time
12. Sourcing Reliable Information of Dynamic Feature Space Modelling Filterin
 - Fact-Checking eBook Content of Dynamic Feature Space Modelling Filterin
 - Distinguishing Credible Sources
13. Promoting Lifelong Learning

- Utilizing eBooks for Skill Development
 - Exploring Educational eBooks
14. Embracing eBook Trends
- Integration of Multimedia Elements
 - Interactive and Gamified eBooks

Dynamic Feature Space Modelling Filterin Introduction

In this digital age, the convenience of accessing information at our fingertips has become a necessity. Whether its research papers, eBooks, or user manuals, PDF files have become the preferred format for sharing and reading documents. However, the cost associated with purchasing PDF files can sometimes be a barrier for many individuals and organizations. Thankfully, there are numerous websites and platforms that allow users to download free PDF files legally. In this article, we will explore some of the best platforms to download free PDFs. One of the most popular platforms to download free PDF files is Project Gutenberg. This online library offers over 60,000 free eBooks that are in the public domain. From classic literature to historical documents, Project Gutenberg provides a wide range of PDF files that can be downloaded and enjoyed on various devices. The website is user-friendly and allows users to search for specific titles or browse through different categories. Another reliable platform for downloading Dynamic Feature Space Modelling Filterin free PDF files is Open Library. With its vast collection of over 1 million eBooks, Open Library has something for every reader. The website offers a seamless experience by providing options to borrow or download PDF files. Users simply need to create a free account to access this treasure trove of knowledge. Open Library also allows users to contribute by uploading and sharing their own PDF files, making it a collaborative platform for book enthusiasts. For those interested in academic resources, there are websites dedicated to providing free PDFs of research papers and scientific articles. One such website is Academia.edu, which allows researchers and scholars to share their work with a global audience. Users can download PDF files of research papers, theses, and dissertations covering a wide range of subjects. Academia.edu also provides a platform for discussions and networking within the academic community. When it comes to downloading Dynamic Feature Space Modelling Filterin free PDF files of magazines, brochures, and catalogs, Issuu is a popular choice. This digital publishing platform hosts a vast collection of publications from around the world. Users can search for specific titles or explore various categories and genres. Issuu offers a seamless reading experience with its user-friendly interface and allows users to download PDF files for offline reading. Apart from dedicated platforms, search engines also play a crucial role in finding free PDF files. Google, for instance, has an advanced search feature that allows users to filter results by file type. By specifying the file type as "PDF," users can find websites that offer free PDF downloads on a specific topic. While downloading Dynamic Feature Space

Modelling Filterin free PDF files is convenient, its important to note that copyright laws must be respected. Always ensure that the PDF files you download are legally available for free. Many authors and publishers voluntarily provide free PDF versions of their work, but its essential to be cautious and verify the authenticity of the source before downloading Dynamic Feature Space Modelling Filterin. In conclusion, the internet offers numerous platforms and websites that allow users to download free PDF files legally. Whether its classic literature, research papers, or magazines, there is something for everyone. The platforms mentioned in this article, such as Project Gutenberg, Open Library, Academia.edu, and Issuu, provide access to a vast collection of PDF files. However, users should always be cautious and verify the legality of the source before downloading Dynamic Feature Space Modelling Filterin any PDF files. With these platforms, the world of PDF downloads is just a click away.

FAQs About Dynamic Feature Space Modelling Filterin Books

What is a Dynamic Feature Space Modelling Filterin PDF? A PDF (Portable Document Format) is a file format developed by Adobe that preserves the layout and formatting of a document, regardless of the software, hardware, or operating system used to view or print it. **How do I create a Dynamic Feature Space Modelling Filterin PDF?** There are several ways to create a PDF: Use software like Adobe Acrobat, Microsoft Word, or Google Docs, which often have built-in PDF creation tools. Print to PDF: Many applications and operating systems have a "Print to PDF" option that allows you to save a document as a PDF file instead of printing it on paper. Online converters: There are various online tools that can convert different file types to PDF. **How do I edit a Dynamic Feature Space Modelling Filterin PDF?** Editing a PDF can be done with software like Adobe Acrobat, which allows direct editing of text, images, and other elements within the PDF. Some free tools, like PDFescape or Smallpdf, also offer basic editing capabilities. **How do I convert a Dynamic Feature Space Modelling Filterin PDF to another file format?** There are multiple ways to convert a PDF to another format: Use online converters like Smallpdf, Zamzar, or Adobe Acrobats export feature to convert PDFs to formats like Word, Excel, JPEG, etc. Software like Adobe Acrobat, Microsoft Word, or other PDF editors may have options to export or save PDFs in different formats. **How do I password-protect a Dynamic Feature Space Modelling Filterin PDF?** Most PDF editing software allows you to add password protection. In Adobe Acrobat, for instance, you can go to "File" -> "Properties" -> "Security" to set a password to restrict access or editing capabilities. Are there any free alternatives to Adobe Acrobat for working with PDFs? Yes, there are many free alternatives for working with PDFs, such as: LibreOffice: Offers PDF editing features. PDFsam: Allows splitting, merging, and editing PDFs. Foxit Reader: Provides basic PDF viewing and editing capabilities. How do I compress a PDF file? You can use online tools like Smallpdf, ILovePDF, or desktop software like Adobe

Acrobat to compress PDF files without significant quality loss. Compression reduces the file size, making it easier to share and download. Can I fill out forms in a PDF file? Yes, most PDF viewers/editors like Adobe Acrobat, Preview (on Mac), or various online tools allow you to fill out forms in PDF files by selecting text fields and entering information. Are there any restrictions when working with PDFs? Some PDFs might have restrictions set by their creator, such as password protection, editing restrictions, or print restrictions. Breaking these restrictions might require specific software or tools, which may or may not be legal depending on the circumstances and local laws.

Find Dynamic Feature Space Modelling Filterin :

[coming to canada](#)

[commander-in-chiefs guard](#)

[commercial interior perspectives](#)

[comforts of madness](#)

commodity agreements and price stabilization a policy analysis

[commercial banking practice and policy](#)

[commentary on ovid epistulae ex ponto](#)

commedia paradiso by dante 8th edition

[coming back to life the after effects of the near death experience](#)

common stream two thousand years of the english village

[come faith come fire](#)

command companion of seamanship techniques

[common problems in office practice; current methods of diagnosis and treatment](#)

comedies and errors

[common-sense](#)

Dynamic Feature Space Modelling Filterin :

tractordata com john deere 6400 tractor information - Aug 15 2023

[web john deere 6400 engine john deere 4 5l 4 cyl diesel rops fuel tank 29 gal 109 8 l cab fuel tank 43 6 gal 165 0 l engine details](#)

[john deere 6400 reviews photos prices specs tractor guide](#) - Feb 26 2022

web the john deere 6400 information resource from tractorbynet com includes overview specifications photos reviews links parts and everything you need to know about the john deere 6400

tractordata com john deere 6400 tractor information - Jun 13 2023

web overview engine transmission dimensions photos 1992 1997 series 6300 6400 photos no photos of the john deere 6400 are currently available to submit yours email it to peter tractordata com photos may only be used with the permission of the original photographer 2000 2021 tractordata com

john deere 6400 tractors for sale new used fastline - Jan 28 2022

web john deere 6400 tractors for sale new used fastline fastline auctions register today to find your next deal on equipment or contact us to list your equipment in our upcoming auction print catalogs online catalogs email newsletters pink tractor newsletter classifieds online catalogs commodity prices a history of tractors find

john deere 6400 utility tractor review and specs tractor specs - Jul 14 2023

web the john deere 6400 is equipped with hydrostatic power steering hydraulic wet disc brakes two post foldable rops or comfortgard cab optional and 109 8 liters 29 us gal 24 2 imp gal fuel tank for the rops version or 165 0 liters 43 6 us gal 36 3 imp gal fuel tank for the cab version

used john deere 6400 for sale 20 listings machinery pete - May 12 2023

web find 20 used john deere 6400 tractors for sale near you browse the most popular brands and models at the best prices on machinery pete

john deere 6400 tractors for sale 33 listings farm - Aug 03 2022

web browse a wide selection of new and used john deere 6400 tractors for sale near you at farm machinery locator united kingdom

john deere 6400 tractors auction results tractorhouse com - Apr 30 2022

web may 19 2023 john deere 6400 tractor tractor came off a farm in new jersey used for vegetables it has very hard to find creeper gear option it is equipped with john deere 640 loader watch the video of it r see more details

tractordata com john deere 6400l tractor information - Nov 06 2022

web 6400 utility tractor 6400l low profile john deere 6400l power engine 99 hp 73 8 kw pto claimed 85 hp 63 4 kw john deere 6400l engine john deere 4 5l 4 cyl diesel no photos of the john deere 6400l are currently available to submit yours email it to peter tractordata com photos may only be used with the permission of the

[john deere 6400 specs features tractors facts](#) - Mar 30 2022

web jul 26 2022 john deere 6400 is a row crop tractor that was produced by the john deere between 1992 1997 below you will find detailed technical specifications for john deere 6400 covering engine types horsepower ratings weight height fuel

type and tank volume oil capacity and type hydraulic system diagram wiring diagram battery specs etc

john deere 6400 mfwtd tractor specs dimensions ritchiespecs - Dec 07 2022

web caterpillar d9t crawler tractor looking for equipment or trucks ritchie bros sells more new and used industrial equipment and trucks than any other company in the world

john deere 6400 farm equipment for sale tractorhouse com - Jan 08 2023

web aug 18 2023 john deere 6400 100 hp to 174 hp tractors auction date september 13 2023 financial calculator machine location idabel oklahoma 74745 serial number l06400p115535 condition used stock number 7099

john deere 6400 specs engine transmission dimensions - Sep 04 2022

web the john deere 6400 specification production power mechanical hydraulics tractor hitch power take off pto electrical engine transmission dimensions

john deere 6400 100 hp to 174 hp tractors for sale 1 tractorhouse com - Jul 02 2022

web dec 6 2022 john deere 6400 100 hp to 174 hp tractors auction date september 09 2023 financial calculator machine location altamont kansas 67330 hours 5 156 transmission type sync shuttle drive 2wd loader yes engine horsepower 100 hp serial number xl6400h140281 condition used stock number 5614 compare circle e

john deere 6400 technical specs many tractors - Jun 01 2022

web detailed review of john deere 6400 john deere produced its 6400 farm tractor model from 1992 until 1998 in united states this exact model was priced at 32 500 usd with a two post foldable rops cabin this tractor can fit ag tires of 7 50 18 front and 7 50 18 back

john deere 6400 tractor review - Oct 05 2022

web not rated the john deere 6400 is a much liked tractor produced in the nineties from 92 to 98 in mannheim baden württemberg in germany the jd 6400 superseded the john deere 2955 it had an 85 hp turbocharged 4 cylinder 4 5 liter cd4045 engine made by john deere themselves

john deere 6400 tractors for sale 32 listings tractorhouse com - Mar 10 2023

web may 19 2023 john deere 6400 100 hp to 174 hp tractors auction date september 13 2023 financial calculator machine location idabel oklahoma 74745 serial number l06400p115535 condition used stock number 7099

6200 6200l 6300 6300l 6400 6400l 6500 and 6500l tractors - Feb 09 2023

web 6300 6300l 6400 6400l 6500 and 6500l tractors operation and tests technical manual 6200 6200l 6300 6300l 6400 6400l 6500 and 6500l tractors operation and tests tm4524 13may97 english for complete service information also see 6200 6200l 6300 6300l 6400 6400l 6500 and 6500l tractors repair

john deere 6400 tractor problems and solutions - Dec 27 2021

web the john deere 6400 is a 4wd 4x4 farm tractor this model was manufactured from 1992 to 1998 the jd 6400 tractor is powered by 276 cu in 4 5 l john deere 4045tl four cylinder turbocharged diesel engine with a rated power of 100 hp 74 6 kw and 404 nm 298 lb ft of peak torque at 1540 rpm

[john deere 6400 tractor technical specifications and review](#) - Apr 11 2023

web the john deere 6400 is a 4wd 4x4 farm tractor this model was manufactured from 1992 to 1998 the jd 6400 tractor is powered by 276 cu in 4 5 l john deere 4045tl four cylinder turbocharged diesel engine with a rated power of 100 hp 74 6 kw and 404 nm 298 lb ft of peak torque at 1540 rpm

creating a world without poverty social business and the - Jan 28 2022

web dec 7 2007 in muhammad yunus groundbreaking sequel to banker to the poor he outlines the concept of social business business where the creative vision of the entrepreneur is applied to today s most serious problems feeding the poor housing the homeless healing the sick and protecting the planet

creating a world without poverty social business and the future - Dec 07 2022

web a faculty review of creating a world without poverty social business and the future of capitalism by muhammad yunus

creating a world without poverty social business and the - Jun 13 2023

web jun 20 2008 in this first book published after his nobel prize yunus presents his vision for an innovative business model that would combine the power of free markets with a quest for more humane egalitarian world that could help alleviate world poverty inequality and other social problems

creating a world without poverty social business and the - Feb 09 2023

web mar 9 2008 two different models of social business are proposed a profit making company owned by the poor or a non dividend issuing company targeting social issues the first model suffers from the ability to define poor and monitor shareholding and the living standards of shareholders

creating a world without poverty social business and the - Jan 08 2023

web jan 8 2008 creating a world without poverty tells the stories of some of the earliest examples of social businesses including yunus s own grameen bank it reveals the next phase in a hopeful economic and social revolution that is already under way and in the worldwide effort to eliminate poverty by unleashing the productive energy of every

[creating a world without poverty how social business](#) - Oct 05 2022

web creating a world without poverty how social business can transform our lives by muhammad yunus daniel sacks program associate global prosperity initiative and enterprise africa

creating a world without poverty social business and the - Mar 10 2023

web jun 1 2009 also from sage publishing cq library american political resources opens in new tab data planet a universe of

data opens in new tab sage business cases real world cases at your fingertips opens in new tab sage campus online skills and methods courses opens in new tab sage knowledge the ultimate social science library opens

creating a world without poverty social business and the future of - Mar 30 2022

web mar 21 2014 pdf on mar 21 2014 john e meador published creating a world without poverty social business and the future of capitalism find read and cite all the research you need on researchgate

creating a world without poverty social business and the future of - Sep 04 2022

web apr 8 2014 creating a world without poverty social business and the future of capitalism john e meador department of rural sociology university of missouri

creating a world without poverty social business and the future of - Apr 11 2023

web apr 8 2014 creating a world without poverty social business and the future of capitalism john e meador pages 210 211 published online 08 apr 2014 download citation doi org 10 1080 15575330 2014 890406 full article figures data citations metrics reprints permissions get access

[creating a world without poverty social business and the future](#) - Aug 03 2022

web english xvii 282 pages 21 cm the winner of the nobel peace prize outlines his vision for a new business model that combines the power of free markets with the quest for a more humane world and he tells the inspiring stories of

creating a world without poverty social business and the - May 12 2023

web jan 6 2009 in muhammad yunus groundbreaking sequel to banker to the poor he outlines the concept of social business business where the creative vision of the entrepreneur is applied to today s most

creating a world without poverty social business and the - Apr 30 2022

web dec 7 2007 17 reviews reviews aren t verified but google checks for and removes fake content when it s identified in the last two decades free markets have swept the globe but traditional capitalism has

creating a world without poverty social business and the - Jun 01 2022

web jun 27 2008 by kathryn pyle muhammad yunus stretches the boundaries of capitalism in his new book creating a world without poverty and along the way challenges foundations corporate giving programs and nonprofits to stretch as well his goal in doing so is to eliminate poverty by 2030

creating a world without poverty social business - Jul 14 2023

web creating a world without poverty social business and the future of capitalism muhammad yunus 1 a new kind of business since the fall of the soviet union in 1991 free markets have swept the globe free market economics has taken root in china southeast asia much of south america eastern europe and even the former

creating a world without poverty social business and the - Nov 06 2022

web creating a world without poverty tells the stories of some of the earliest examples of social businesses including yunus s own grameen bank it reveals the next phase in a hopeful

creating a world without poverty social business and the - Aug 15 2023

web creating a world without poverty social business and the future of capitalism yunus muhammad amazon com tr kitap

creating a world without poverty social business and the future - Feb 26 2022

web includes index prologue starting with a handshake the promise of social business a new kind of business social business what it is and what it is not the grameen experiment the microcredit revolution from microcredit to social business the battle

against poverty bangladesh and beyond god is in the details one cup of yogurt a

creating a world without poverty social business and the - Dec 27 2021

web jan 1 2007 the following paper aims to explore the concept of social business its importance and how a postgraduate degree in social business can be useful for those entrepreneurs looking to develop

creating a world without poverty social business and the - Jul 02 2022

web buy creating a world without poverty social business and the future of capitalism illustrated by yunus muhammad isbn 9781586486679 from amazon s book store everyday low prices and free delivery on eligible orders

the dillinger days on apple books - Mar 09 2023

web feb 28 2023 a deeply researched account of depression era criminals who roamed the midwest by the pulitzer prize winning new york times bestselling author john

the dillinger days by john toland overdrive - Nov 05 2022

web nov 14 2017 for thirteen violent months in the 1930s john dillinger and his gang swept through the midwest the criminals of the depression robbed almost at will as the

the dillinger days toland john amazon co uk books - Jul 13 2023

web for thirteen violent months in the 1930s john dillinger and his gang swept through the midwest the criminals of the depression robbed almost at will the indiana state police

amazon com the dillinger days ebook toland john kindle store - Apr 10 2023

web feb 28 2023 a deeply researched account of depression era criminals who roamed the midwest by the pulitzer prize winning new york times bestselling author john

the dillinger days by john toland good 1963 abebooks - Jan 27 2022

web apr 6 2009 abebooks com the dillinger days 1963 first edition 371 pages illustrated dust jacket over blue cloth boards gilt lettering contains black and white illustrations

the dillinger days sesli kitap john toland storytel - Jan 07 2023

web the dillinger days is the inside account of a desperate and determined war between the law and the lawless a struggle that did not end until a unique set of circumstances led to

a lincoln park coffee house reveals a hidden speakeasy near - Oct 24 2021

the dillinger days john toland free download borrow and - Feb 08 2023

web the dillinger days by john toland publication date 1947 collection inlibrary printdisabled internetarchivebooks contributor internet archive

pdf epub the dillinger days download oceanofpdf - Mar 29 2022

web apr 3 2023 the dillinger days is the inside account of a desperate and determined war between the law and the lawless a struggle that did not end until a unique set of

the dillinger days by john toland overdrive - Dec 06 2022

web feb 28 2023 john dillinger and his compatriots crime spree lasted a little over a year in the 1930s and left a trail of bodies in its wake dillinger s bank robberies and his ability

the dillinger days toland john 9780274793709 - Aug 14 2023

web mar 22 1995 mp3 cd 19 46 2 new from 19 46 for thirteen violent months in the 1930s john dillinger and his gang swept through the midwest the criminals of the depression

the dillinger days book by john toland thriftbooks - Sep 03 2022

web superb slice of 1930 slife published by thriftbooks com user 17 years ago this fast paced narrative looks at underworld life in the usa during the great depression of the 1930 s

the dillinger days by john toland ebook barnes noble - May 11 2023

web feb 28 2023 john dillinger and his compatriots crime spree lasted a little over a year in the 1930s and left a trail of bodies in its wake dillinger s bank robberies and his ability

the dillinger days by john willard toland open library - Jul 01 2022

web the dillinger days by john willard toland 0 ratings 4 want to read 0 currently reading 0 have read

the dillinger days by john toland hachette book group - May 31 2022

web the dillinger days is the inside account of a desperate and determined war between the law and the lawless a struggle that did not end until a unique set of circumstances led to

loading interface goodreads - Dec 26 2021

web john dillinger was a midwestern hard ass with a chip on his shoulder this all american gangster enjoys his very own festival with the hotel congress dillinger days event in

hotel congress dillinger days 2021 in tucson az everfest - Nov 24 2021

web 1 day ago founder mason green opened the bourgeois pig 30 years ago and says he s been working on the speakeasy for years predating 2020 s start of the pandemic he

[the dillinger days by john toland audiobook audible com](#) - Feb 25 2022

web publisher s summary for 13 violent months in the 1930s john dillinger and his gang swept through the midwest the criminals of the depression robbed almost at will as the

the dillinger days audible audiobook unabridged amazon com - Aug 02 2022

web the dillinger days is the inside account of a desperate and determined war between the law and the lawless a struggle that did not end until a unique set of circumstances led to

[the dillinger days by john toland 1995 03 22 amazon com](#) - Apr 29 2022

web the dillinger days by john toland 1995 03 22 on amazon com free shipping on qualifying offers the dillinger days by john toland 1995 03 22

the dillinger days by john toland waterstones - Jun 12 2023

web mar 22 1995 synopsis for thirteen violent months in the 1930s john dillinger and his gang swept through the midwest the criminals of the depression robbed almost at will

the dillinger days by john toland ebook ebooks com - Oct 04 2022

web a deeply researched account of depression era criminals who roamed the midwest by the pulitzer prize winning new york times bestselling author john dillinger and his