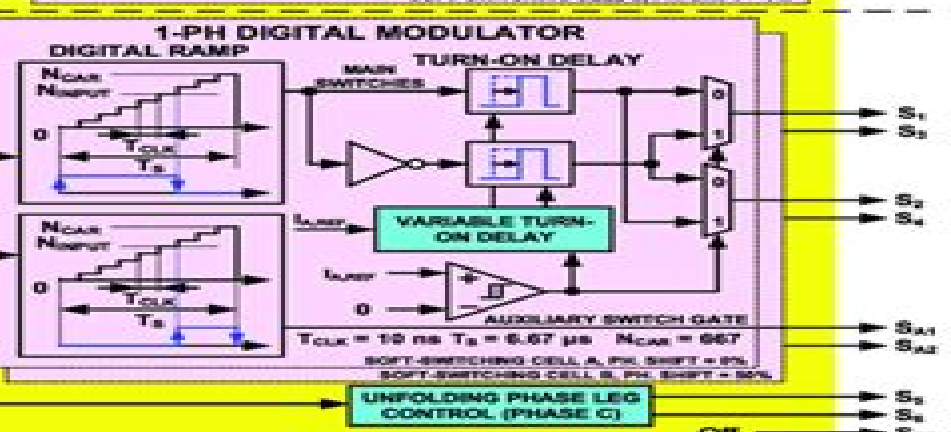
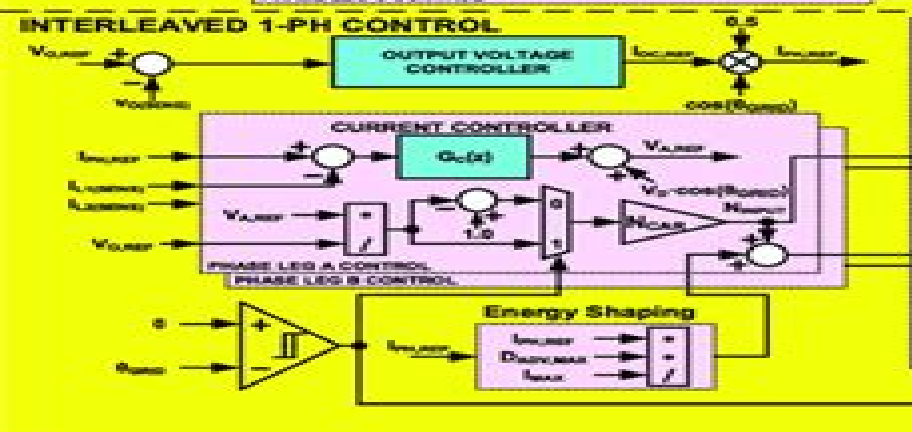
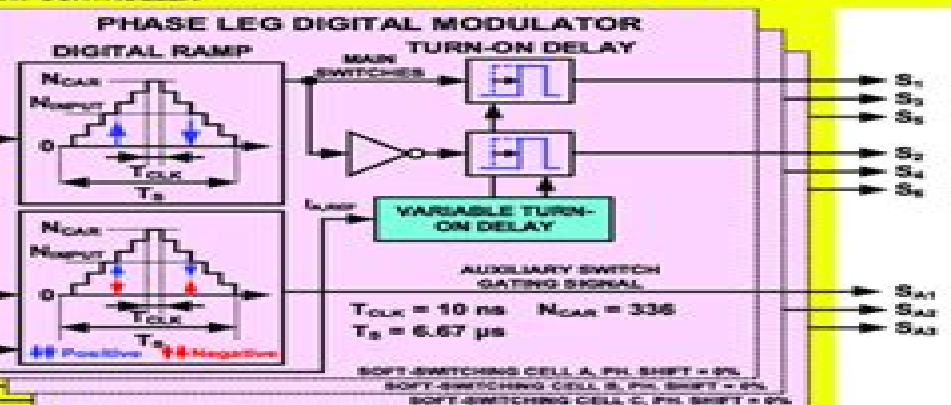
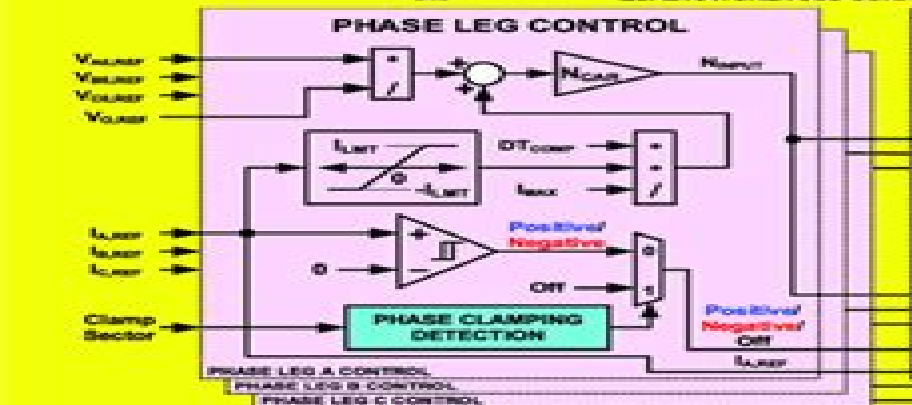
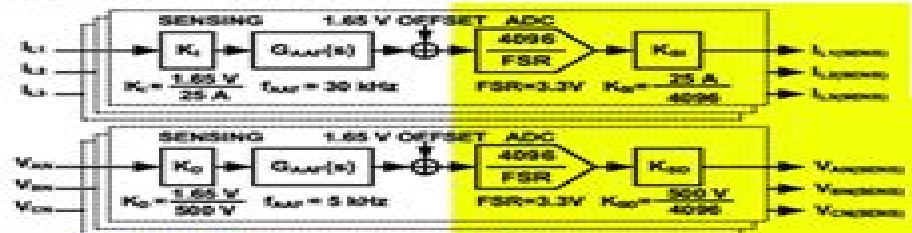


# COMMON SENSING AND CONTROL



# Digital Control And Implementation

**Robert Istepanian, James F. Whidborne**



## **Digital Control And Implementation:**

Applied Digital Control J. R. Leigh, 2006-06-23 An essential core text this volume develops theoretical foundations and explains how control systems work in real industrial situations Several case histories assist students in visualizing applications 1992 edition

**Digital Controller Implementation and Fragility** Robert Istepanian, James F. Whidborne, 2012-09-03 Written by leading researchers this book collects a number of articles considering the problems of finite precision computing in digital controllers and filters Topics range from analysis of fragility and finite precision effects to the design of low complexity digital controllers

**Digital Control Systems** Ioan Doré Landau, Gianluca Zito, 2007-05-11 The extraordinary development of digital computers microprocessors microcontrollers and their extensive use in control systems in all fields of applications has brought about important changes in the design of control systems Their performance and their low cost make them suitable for use in control systems of various kinds which demand far better capabilities and performances than those provided by analog controllers However in order really to take advantage of the capabilities of microprocessors it is not enough to reproduce the behavior of analog PID controllers One needs to implement specific and high performance model based control techniques developed for computer controlled systems techniques that have been extensively tested in practice In this context identification of a plant dynamic model from data is a fundamental step in the design of the control system The book takes into account the fact that the association of books with software and on line material is radically changing the teaching methods of the control discipline Despite its interactive character computer aided control design software requires the understanding of a number of concepts in order to be used efficiently The use of software for illustrating the various concepts and algorithms helps understanding and rapidly gives a feeling of the various phenomena

Digital Controller Implementation and Fragility Robert Istepanian, James F. Whidborne, 2012-12-06 In the usual process of control system design the assumption is made that the controller is implemented exactly This assumption is usually reasonable since clearly the plant uncertainty is the most significant source of uncertainty in the control system while controllers are implemented with high precision hardware However inevitably there will be some amount of uncertainty in the controller a fact that is largely ignored in existing modern advanced robust control techniques If the controller is implemented by analogue means there are some tolerances in the analogue components More commonly the controller will be implemented digitally and consequently there will be uncertainty involved with the quantization in the analogue digital conversion and rounding in the parameter representation and in the numerical computations A failure to account for these uncertainties in the controller may result in a controller that is fragile A controller is fragile in the sense that very small perturbations in the coefficients of the designed controller destabilize the closed loop control system This book collects a number of articles which consider the problems of finite precision computing in digital controllers and filters Written by leading researchers topics that the book covers include analysis of fragility and finite precision effects design of optimal

controller realizations design of non fragile robust controllers design of low complexity digital controllers analysis of quantization effects in fuzzy controllers     Digital Controller Implementation and Fragility Robert Istepanian,James F. Whidborne,2001-09-26 Written by leading researchers this book collects a number of articles considering the problems of finite precision computing in digital controllers and filters Topics range from analysis of fragility and finite precision effects to the design of low complexity digital controllers     *Applied Digital Control* James R. Leigh,1985 An essential core text this volume develops theoretical foundations and explains how control systems work in real industrial situations Several case histories assist students in visualizing applications 1992 edition     *The 2021 International Conference on Machine Learning and Big Data Analytics for IoT Security and Privacy* John Macintyre,Jinghua Zhao,Xiaomeng Ma,2021-11-02 This book presents the proceedings of the 2020 2nd International Conference on Machine Learning and Big Data Analytics for IoT Security and Privacy SPIoT 2021 online conference on 30 October 2021 It provides comprehensive coverage of the latest advances and trends in information technology science and engineering addressing a number of broad themes including novel machine learning and big data analytics methods for IoT security data mining and statistical modelling for the secure IoT and machine learning based security detecting protocols which inspire the development of IoT security and privacy technologies The contributions cover a wide range of topics analytics and machine learning applications to IoT security data based metrics and risk assessment approaches for IoT data confidentiality and privacy in IoT and authentication and access control for data usage in IoT Outlining promising future research directions the book is a valuable resource for students researchers and professionals and provides a useful reference guide for newcomers to the IoT security and privacy field

**Digital Control Systems--theory, Hardware, Software** Constantine H. Houppis,Gary B. Lamont,1985     **Practical Digital Control** A. M. Zikic,1989     Modern Control Systems Richard C. Dorf,Robert H. Bishop,2008 Written to be equally useful for all engineering disciplines this book is organized around the concept of control systems theory as it has been developed in the frequency and time domains It provides coverage of classical control employing root locus design frequency and response design using Bode and Nyquist plots It also covers modern control methods based on state variable models including pole placement design techniques with full state feedback controllers and full state observers The book covers several important topics including robust control systems and system sensitivity state variable models controllability and observability computer control systems internal model control robust PID controllers and computer aided design and analysis For all types of engineers who are interested in a solid introduction to control systems     **Proceedings of the 1988 American Control Conference** ,1988     *Digital Control Engineering* M. Sami Fadali,Antonio Visioli,2012-08-21 Digital controllers are part of nearly all modern personal industrial and transportation systems Every senior or graduate student of electrical chemical or mechanical engineering should therefore be familiar with the basic theory of digital controllers This new text covers the fundamental principles and applications of digital control engineering with emphasis on engineering

design Fadali and Visioli cover analysis and design of digitally controlled systems and describe applications of digital controls in a wide range of fields With worked examples and Matlab applications in every chapter and many end of chapter assignments this text provides both theory and practice for those coming to digital control engineering for the first time whether as a student or practicing engineer Extensive Use of computational tools Matlab sections at end of each chapter show how to implement concepts from the chapter Frees the student from the drudgery of mundane calculations and allows him to consider more subtle aspects of control system analysis and design An engineering approach to digital controls emphasis throughout the book is on design of control systems Mathematics is used to help explain concepts but throughout the text discussion is tied to design and implementation For example coverage of analog controls in chapter 5 is not simply a review but is used to show how analog control systems map to digital control systems Review of Background Material contains review material to aid understanding of digital control analysis and design Examples include discussion of discrete time systems in time domain and frequency domain reviewed from linear systems course and root locus design in s domain and z domain reviewed from feedback control course Inclusion of Advanced Topics In addition to the basic topics required for a one semester senior graduate class the text includes some advanced material to make it suitable for an introductory graduate level class or for two quarters at the senior graduate level Examples of optional topics are state space methods which may receive brief coverage in a one semester course and nonlinear discrete time systems Minimal Mathematics Prerequisites The mathematics background required for understanding most of the book is based on what can be reasonably expected from the average electrical chemical or mechanical engineering senior This background includes three semesters of calculus differential equations and basic linear algebra Some texts on digital control require more

**Embedded Digital Control with Microcontrollers** Cem Unsalan,Duygun E. Barkana,H. Deniz Gurhan,2021-03-19 EMBEDDED DIGITAL CONTROL WITH MICROCONTROLLERS Explore a concise and practical introduction to implementation methods and the theory of digital control systems on microcontrollers Embedded Digital Control with Microcontrollers delivers expert instruction in digital control system implementation techniques on the widely used ARM Cortex M microcontroller The accomplished authors present the included information in three phases First they describe how to implement prototype digital control systems via the Python programming language in order to help the reader better understand theoretical digital control concepts Second the book offers readers direction on using the C programming language to implement digital control systems on actual microcontrollers This will allow readers to solve real life problems involving digital control robotics and mechatronics Finally readers will learn how to merge the theoretical and practical issues discussed in the book by implementing digital control systems in real life applications Throughout the book the application of digital control systems using the Python programming language ensures the reader can apply the theory contained within Readers will also benefit from the inclusion of A thorough introduction to the hardware used in the book including STM32 Nucleo Development Boards

and motor drive expansion boards An exploration of the software used in the book including Python MicroPython and Mbed Practical discussions of digital control basics including discrete time signals discrete time systems linear and time invariant systems and constant coefficient difference equations An examination of how to represent a continuous time system in digital form including analog to digital conversion and digital to analog conversion Perfect for undergraduate students in electrical engineering Embedded Digital Control with Microcontrollers will also earn a place in the libraries of professional engineers and hobbyists working on digital control and robotics systems seeking a one stop reference for digital control systems on microcontrollers

**Systems and Control Encyclopedia Supplementary Volume 1** M.G. Singh,1990 A compendium of systems ideas methods and applications that emphasizes on the role of computers

**Computer Aided Design in Control Systems** International Federation of Automatic Control,1992 Hardbound The tone of the Proceedings is set by the three Plenary papers and the remaining papers are arranged under the coherent themes of environment computational methods modelling and simulation design methods and applications The papers in the Proceedings represent the state of the art in the rapidly changing technology of computer aided design in control systems They clearly show how that technology is absorbing the most recent developments in computer science and adapting them to its requirements The reader will find that the emphasis in the technology is shifting towards open environments with object oriented databases and modern graphical user interfaces supporting a whole range of tools for modelling analysis and design

**Advances in Instrumentation** ,1985 Proceedings of the ISA Conference and Exhibit

*Bioavailability Control by Drug Delivery System Design* Victor F. Smolen,LuAnn Ball,1985

Control and Computers ,1990

**Guidance and Control 1980** Louis A. Morine,1980

Proceedings IECON. ,1989

The Enthralling Realm of Kindle Books: A Detailed Guide Unveiling the Benefits of E-book Books: A Realm of Ease and Versatility E-book books, with their inherent mobility and ease of access, have liberated readers from the constraints of hardcopy books. Gone are the days of carrying bulky novels or carefully searching for particular titles in shops. Kindle devices, stylish and lightweight, effortlessly store an extensive library of books, allowing readers to immerse in their favorite reads anytime, anywhere. Whether commuting on a bustling train, lounging on a sunny beach, or simply cozying up in bed, Kindle books provide an unparalleled level of ease. A Literary Universe Unfolded: Discovering the Wide Array of Kindle Digital Control And Implementation Digital Control And Implementation The Kindle Store, a virtual treasure trove of bookish gems, boasts an extensive collection of books spanning varied genres, catering to every reader's taste and preference. From gripping fiction and thought-provoking non-fiction to timeless classics and contemporary bestsellers, the E-book Store offers an unparalleled variety of titles to explore. Whether looking for escape through immersive tales of imagination and adventure, diving into the depths of historical narratives, or expanding one's understanding with insightful works of science and philosophy, the Kindle Store provides a doorway to a bookish universe brimming with endless possibilities. A Game-changing Force in the Bookish Landscape: The Persistent Impact of E-book Books Digital Control And Implementation The advent of E-book books has certainly reshaped the bookish landscape, introducing a model shift in the way books are released, distributed, and consumed. Traditional publication houses have embraced the digital revolution, adapting their strategies to accommodate the growing need for e-books. This has led to a rise in the availability of E-book titles, ensuring that readers have entry to a wide array of literary works at their fingertips. Moreover, Kindle books have equalized access to literature, breaking down geographical limits and offering readers worldwide with similar opportunities to engage with the written word. Irrespective of their location or socioeconomic background, individuals can now immerse themselves in the intriguing world of books, fostering a global community of readers. Conclusion: Embracing the E-book Experience Digital Control And Implementation Kindle books Digital Control And Implementation, with their inherent convenience, flexibility, and vast array of titles, have certainly transformed the way we experience literature. They offer readers the freedom to discover the limitless realm of written expression, whenever, everywhere. As we continue to navigate the ever-evolving digital landscape, Kindle books stand as testament to the lasting power of storytelling, ensuring that the joy of reading remains reachable to all.

[https://autodiscover.cruiselady.com/files/browse/HomePages/Aquatic\\_Chemistry\\_Introduction\\_Emphasizing\\_Chemical\\_Equality\\_In\\_Natural\\_Waters.pdf](https://autodiscover.cruiselady.com/files/browse/HomePages/Aquatic_Chemistry_Introduction_Emphasizing_Chemical_Equality_In_Natural_Waters.pdf)

## **Table of Contents Digital Control And Implementation**

1. Understanding the eBook Digital Control And Implementation
  - The Rise of Digital Reading Digital Control And Implementation
  - Advantages of eBooks Over Traditional Books
2. Identifying Digital Control And Implementation
  - Exploring Different Genres
  - Considering Fiction vs. Non-Fiction
  - Determining Your Reading Goals
3. Choosing the Right eBook Platform
  - Popular eBook Platforms
  - Features to Look for in an Digital Control And Implementation
  - User-Friendly Interface
4. Exploring eBook Recommendations from Digital Control And Implementation
  - Personalized Recommendations
  - Digital Control And Implementation User Reviews and Ratings
  - Digital Control And Implementation and Bestseller Lists
5. Accessing Digital Control And Implementation Free and Paid eBooks
  - Digital Control And Implementation Public Domain eBooks
  - Digital Control And Implementation eBook Subscription Services
  - Digital Control And Implementation Budget-Friendly Options
6. Navigating Digital Control And Implementation eBook Formats
  - ePub, PDF, MOBI, and More
  - Digital Control And Implementation Compatibility with Devices
  - Digital Control And Implementation Enhanced eBook Features
7. Enhancing Your Reading Experience
  - Adjustable Fonts and Text Sizes of Digital Control And Implementation
  - Highlighting and Note-Taking Digital Control And Implementation
  - Interactive Elements Digital Control And Implementation

8. Staying Engaged with Digital Control And Implementation
  - Joining Online Reading Communities
  - Participating in Virtual Book Clubs
  - Following Authors and Publishers Digital Control And Implementation
9. Balancing eBooks and Physical Books Digital Control And Implementation
  - Benefits of a Digital Library
  - Creating a Diverse Reading Collection Digital Control And Implementation
10. Overcoming Reading Challenges
  - Dealing with Digital Eye Strain
  - Minimizing Distractions
  - Managing Screen Time
11. Cultivating a Reading Routine Digital Control And Implementation
  - Setting Reading Goals Digital Control And Implementation
  - Carving Out Dedicated Reading Time
12. Sourcing Reliable Information of Digital Control And Implementation
  - Fact-Checking eBook Content of Digital Control And Implementation
  - Distinguishing Credible Sources
13. Promoting Lifelong Learning
  - Utilizing eBooks for Skill Development
  - Exploring Educational eBooks
14. Embracing eBook Trends
  - Integration of Multimedia Elements
  - Interactive and Gamified eBooks

### **Digital Control And Implementation Introduction**

Digital Control And Implementation Offers over 60,000 free eBooks, including many classics that are in the public domain. Open Library: Provides access to over 1 million free eBooks, including classic literature and contemporary works. Digital Control And Implementation Offers a vast collection of books, some of which are available for free as PDF downloads, particularly older books in the public domain. Digital Control And Implementation : This website hosts a vast collection of scientific articles, books, and textbooks. While it operates in a legal gray area due to copyright issues, its a popular resource

for finding various publications. Internet Archive for Digital Control And Implementation : Has an extensive collection of digital content, including books, articles, videos, and more. It has a massive library of free downloadable books. Free-eBooks Digital Control And Implementation Offers a diverse range of free eBooks across various genres. Digital Control And Implementation Focuses mainly on educational books, textbooks, and business books. It offers free PDF downloads for educational purposes. Digital Control And Implementation Provides a large selection of free eBooks in different genres, which are available for download in various formats, including PDF. Finding specific Digital Control And Implementation, especially related to Digital Control And Implementation, might be challenging as they're often artistic creations rather than practical blueprints. However, you can explore the following steps to search for or create your own Online Searches: Look for websites, forums, or blogs dedicated to Digital Control And Implementation, Sometimes enthusiasts share their designs or concepts in PDF format. Books and Magazines Some Digital Control And Implementation books or magazines might include. Look for these in online stores or libraries. Remember that while Digital Control And Implementation, sharing copyrighted material without permission is not legal. Always ensure you're either creating your own or obtaining them from legitimate sources that allow sharing and downloading. Library Check if your local library offers eBook lending services. Many libraries have digital catalogs where you can borrow Digital Control And Implementation eBooks for free, including popular titles. Online Retailers: Websites like Amazon, Google Books, or Apple Books often sell eBooks. Sometimes, authors or publishers offer promotions or free periods for certain books. Authors Website Occasionally, authors provide excerpts or short stories for free on their websites. While this might not be the Digital Control And Implementation full book, it can give you a taste of the authors writing style. Subscription Services Platforms like Kindle Unlimited or Scribd offer subscription-based access to a wide range of Digital Control And Implementation eBooks, including some popular titles.

### **FAQs About Digital Control And Implementation Books**

How do I know which eBook platform is the best for me? Finding the best eBook platform depends on your reading preferences and device compatibility. Research different platforms, read user reviews, and explore their features before making a choice. Are free eBooks of good quality? Yes, many reputable platforms offer high-quality free eBooks, including classics and public domain works. However, make sure to verify the source to ensure the eBook credibility. Can I read eBooks without an eReader? Absolutely! Most eBook platforms offer web-based readers or mobile apps that allow you to read eBooks on your computer, tablet, or smartphone. How do I avoid digital eye strain while reading eBooks? To prevent digital eye strain, take regular breaks, adjust the font size and background color, and ensure proper lighting while reading eBooks. What the advantage of interactive eBooks? Interactive eBooks incorporate multimedia elements, quizzes, and activities,

enhancing the reader engagement and providing a more immersive learning experience. Digital Control And Implementation is one of the best book in our library for free trial. We provide copy of Digital Control And Implementation in digital format, so the resources that you find are reliable. There are also many Ebooks of related with Digital Control And Implementation. Where to download Digital Control And Implementation online for free? Are you looking for Digital Control And Implementation PDF? This is definitely going to save you time and cash in something you should think about.

### **Find Digital Control And Implementation :**

~~aquatic chemistry introduction emphasizing chemical equilibria in natural waters~~

**approches textuelles des memoires de saintsimon**

aquele estranho dia que nunca chega

applique art original ideas and designs using simple techniques

*aquaculture sector planning and management*

**applied petroleum reservoir engineering**

~~archaeologische mitteilungen aus iran~~

*applying technology data cd intro to business*

~~applied psychology in spain a special issue of applied psychology~~

approaches to high throughput toxicity screening

aqui viven las hadas

**aprenda windows 2000 profesional visualmente teach yourself windows 2000 profesional teach yourself visually spanish ed**

**applied harmony 2vol**

~~aprende a escribir with magnetic board~~

applied time series modelling and forecasting

### **Digital Control And Implementation :**

chemical kinetics chemistry neet practice questions mcqs - Oct 05 2022

web chemical kinetics chemistry practice questions mcqs past year questions pyqs ncert questions question bank class 11 and class 12 questions ncert exemplar questions and pdf questions with answers solutions explanations ncert reference and difficulty level

**thermodynamics questions practice questions of chemical kinetics** - Nov 06 2022

web many chemical reactions exhibit the same behaviour q3 write the rate equation for the reaction  $2a + b \rightarrow c$  if the order of the reaction is zero answer the rate equation for the reaction  $2a + b \rightarrow c$  in the zero order reaction is rate  $k a^0 b^0$  k q4 although the reaction between  $h_2$  and  $o_2$  is highly feasible leaving the

**chemical kinetics mastery of fundamentals questions pdf** - Sep 04 2022

web chemical kinetics mastery of fundamentals questions outlines of theoretical chemistry analysis of kinetic reaction mechanisms advances in atmospheric chemistry fundamentals of aqueous metallurgy bioinformatics for systems biology fundamental aspects of plasma chemical physics fundamentals of low emission flameless

**chemical kinetics mastery of fundamentals questions pdf app** - May 12 2023

web chemical kinetics mastery of fundamentals questions chemical kinetics the foundations of chemical kinetics bioinformatics for systems biology comprehensive chemical kinetics fundamentals of low emission flameless combustion and its applications chemical kinetic methods principles of fast reaction techniques and

**chemical kinetics mastery of fundamentals questions** - Jul 02 2022

web jun 18 2023 chemical kinetics mastery of fundamentals questions join that we have the finances for here and check out the link by exploring the title publisher or authors of instruction you in in fact want you can discover them promptly just mentioned the chemical kinetics mastery of fundamentals questions is universally consistent with

important questions for class 12 chemistry chapter 4 chemical kinetics - Dec 07 2022

web dec 6 2019 chemical kinetics class 12 important questions short answer type ii sa ii question 42 a first order reaction has a rate constant of  $0.0051 \text{ min}^{-1}$  if we begin with  $0.10 \text{ M}$  concentration of the reactant what concentration of reactant will remain in solution after 3 hours delhi all india 2009 answer given  $r = 0.010 \text{ M t} = 3 \text{ hrs}$

**chemical kinetics mastery of fundamentals questions** - Aug 03 2022

web get the chemical kinetics mastery of fundamentals questions associate that we pay for here and check out the link you could purchase lead chemical kinetics mastery of fundamentals questions or get it as soon as feasible you could quickly download this chemical kinetics mastery of fundamentals questions after getting deal so as

**chemical kinetics mastery of fundamentals answers campus** - Jul 14 2023

web here are some questions to test your mastery of the fundamentals of chemical kinetics once you've mastered the material you should be able to answer these questions without reference to your notes or textbook for chemical kinetics i rate laws 1

*chemical kinetics mastery of fundamentals questions* - Jun 01 2022

web solely expressed the chemical kinetics mastery of fundamentals questions is internationally consistent with any devices

to download finally you will categorically discover a complementary background and action by investing extra funds if you associate routine such a referred chemical kinetics mastery of fundamentals

**chemical kinetics mastery of fundamentals questions** - Jan 28 2022

web april 6th 2018 questions to test your mastery of the fundamentals of chemical kinetics problems in chemical kinetics solved part 1 the kinetic data on the the basics of reaction kinetics for chemical reaction

**chemical kinetics mastery of fundamentals questions pdf** - Apr 11 2023

web may 6 2023 chemical kinetics mastery of fundamentals questions 1 9 downloaded from uniport edu ng on may 6 2023 by guest chemical kinetics mastery of fundamentals questions this is likewise one of the factors by obtaining the soft documents of this chemical kinetics mastery of fundamentals questions by online

*chemical kinetics mastery of fundamentals questions pdf* - Feb 26 2022

web introduction chemical kinetics mastery of fundamentals questions pdf pdf cold chemistry olivier dulier 2017 12 06

recent years have seen tremendous progress in research on cold and controlled molecular

**chemical kinetics mastery of fundamentals questions pdf** - Jan 08 2023

web chemical kinetics mastery of fundamentals questions non equilibrium thermodynamics and physical kinetics feb 26 2022 this graduate textbook covers contemporary directions of non equilibrium statistical mechanics as well as classical methods of kinetics starting from phenomenological non equilibrium thermodynamics

*kinetics mastery answers pdf reaction rate chemical kinetics* - Jun 13 2023

web chemical kinetics mastery of fundamentals answers ch353 prof wu here are some questions to test your mastery of the fundamentals of chemical kinetics once youve mastered the material you should be able to answer these questions without reference to your notes or textbook for chemical kinetics i rate laws 1

**chemical kinetics mastery of fundamentals questions** - Dec 27 2021

web chemical kinetics mastery of fundamentals questions 1 chemical kinetics mastery of fundamentals questions chemistry calculations in chemical kinetics for undergraduates conference proceedings new perspectives in science education an audience of one fundamentals of aqueous metallurgy protein actions principles and

*chemical kinetics mastery of fundamentals questions* - Apr 30 2022

web jul 30 2023 this one merely said the chemical kinetics mastery of fundamentals questions is universally compatible gone any devices to read stochasticity in processes peter schuster 2016 10 14 this book has developed over the past fifteen years from a modern course on stochastic chemical kinetics for graduate students in physics

**chemical kinetics questions practice questions of chemical kinetics** - Mar 10 2023

web chemical kinetics questions and answers practice questions mcqs pyqs ncert questions question bank class 11 and class

---

12 questions ncert exemplar questions and pdf questions with answers solutions explanations ncert reference and difficulty level in chemical kinetics chemistry

**free chemical kinetics mastery of fundamentals questions** - Mar 30 2022

web chemical kinetics mastery of fundamentals questions learning leadership jun 18 2020 from the bestselling authors of the leadership challenge and over a dozen award winning leadership books james m kouzes and barry z posner have written a new book that examines a fundamental question how do people learn leadership

**chemical kinetics mastery of fundamentals questions campus** - Aug 15 2023

web here are some questions to test your mastery of the fundamentals of chemical kinetics once you ve mastered the material you should be able to answer these questions without reference to your notes or textbook for chemical kinetics i rate laws 1

**chemical kinetics practice test questions chapter exam study** - Feb 09 2023

web chemical kinetics chapter exam free practice test instructions choose your answer to the question and click continue to see how you did then click next question to answer the next question

**klett die deutsch helden das große Übungsbuch für deutsch helden 1 klasse** - Dec 27 2021

web klett die deutsch helden das große Übungsbuch für deutsch helden 1 klasse deutsch in der grundschule buch format 17 1 x 24 0 cm 157 seiten isbn 978 3 12 949561 2 informationen für lehrer innen und referendar innen 12 95 lieferung bei online bestellwert ab 9 95 versandkostenfrei innerh

*klett rechnen bis 20 1 klasse kaufinbw* - Mar 30 2022

web klett rechnen bis 20 1 klasse jetzt online kaufen bei kaufinbw im geschäft in sinsheim vorrätig online bestellen versandkostenfrei ab 25 00

klett die mathe helden rechnen bis 20 1 klasse mathematik - Jun 13 2023

web in diesem Übungsheft können kinder selbständig alle wichtigen lerninhalte zum thema rechnen bis 20 in der 1 klasse wiederholen und üben kleine lernportionen sorgen für schnelle erfolgserlebnisse und überfordern grundschul Kinder zeitlich nicht

klett die mathe helden das große Übungsbuch für mathe helden 3 klasse - Feb 26 2022

web klett die mathe helden das große Übungsbuch für mathe helden 3 klasse im buch blättern klett die mathe helden das große Übungsbuch für mathe helden 3 klasse mathematik in der grundschule buch format 17 2

klett rechnen bis 20 1 klasse 109493392 6 95 moluna de - Apr 30 2022

web unser laden 02571 5 69 89 33 persönlicher kundenservice anmelden 0 artikel 0 00 menu menu romane

*klett knobelaufgaben für mathe helden 1 klasse grundschule* - Jan 08 2023

[web klett knobelaufgaben für mathe helden 1 klasse mathematik in der grundschule buch format 16 9 x 24 0 cm 64 seiten isbn 978 3 12 949607 7](#) informationen für lehrer innen und referendar innen 6 95 in den warenkorb denk und knobelspaß für kleine mathe helden Üben üben üben

**klett die mathe helden rechnen bis 20 1 klasse bücher de** - Feb 09 2023

web so wirst du zum helden in mathe in jedem heft gibt es ein spannendes abenteuer du kannst üben üben üben und wirst so zum meister für richtige aufgaben gibt es belohnungs sticker diese verraten dir am schluss durch das große lösungsbild wie das abenteuer ausgeht

*klett die mathe helden rechnen bis 20 1 klasse thalia* - May 12 2023

web jan 11 2016 90 000 schulbücher lernhilfen bei thalia klett die mathe helden rechnen bis 20 1 klasse jetzt bestellen

**klett rechnen bis 100 2 klasse mathematik Übungsheft für die** - Jan 28 2022

web klett die mathe helden rechnen bis 20 1 klasse mathematik grundschule mit stickern 6 95 auf lager

[klett rechnen bis 20 1 klasse hugendubel fachinformationen](#) - Nov 06 2022

web klett rechnen bis 20 1 klasse von jetzt online bestellen portofrei schnell zuverlässig kein mindestbestellwert individuelle rechnung 20 millionen titel

[klett die mathe helden kopfrechnen 1 klasse mathematik in der](#) - Sep 04 2022

web klett die mathe helden kopfrechnen 1 klasse mathematik in der grundschule mit stickern amazon de bücher

**klett rechnen bis 20 1 klasse sander manon ernster** - Jul 02 2022

web mathematik in der grundschule die mathe helden buch geheftet sander manon 64 seiten

[klett rechnen bis 20 1 klasse grundschule](#) - Mar 10 2023

web alle wichtigen lerninhalte im fach rechnen der 1 klasse werden geübt und wiederholt plus und minusaufgaben bis 20 umgang mit mengen richtig viel üben auch auf zwei levels basis und förderseiten für individuellen lernfortschritt extra mit großem sticker lösungsbild für den sichtbaren lernerfolg

**klett die mathe helden rechnen bis 20 1 klasse orell füssli** - Dec 07 2022

web die mathe helden 1 klasse klett die mathe helden rechnen bis 20 1 klasse schulbuch geheftet

**klett die mathe helden mathe testblock 1 klasse rechnen und** - Aug 03 2022

web klett die mathe helden mathe testblock 1 klasse rechnen und mathematik in der grundschule für tests klassenarbeiten lernzielkontrollen und lernzielkontrollen und schulaufgaben amazon de bücher

[klett die mathe helden rechnen bis 20 1 klasse bei hugendubel](#) - Apr 11 2023

web klett die mathe helden rechnen bis 20 1 klasse buch geheftet bei hugendubel de online bestellen oder in der filiale abholen

**klett die mathe helden rechnen bis 20 1 klasse 2016** - Jun 01 2022

web entdecken sie klett die mathe helden rechnen bis 20 1 klasse 2016 pamphlet in der großen auswahl bei ebay klett die mathe helden rechnen bis 20 1 klasse 2016 pamphlet schreiben sie die erste rezension Über dieses produkt aktuelle folie current slide von total slides top artikel brandneu eur 5 99

klett die mathe helden rechnen bis 20 1 klasse wällermarkt - Oct 05 2022

web klett die mathe helden rechnen bis 20 1 klasse jetzt online kaufen bei wällermarkt im geschäft im wällermarkt vorrätig online bestellen versandkostenfrei ab 20 00 klasse wällermarkt

**klett die mathe helden rechnen bis 20 1 klasse müller** - Jul 14 2023

web alle wichtigen lerninhalte im fach rechnen der 1 klasse werden geubt und wiederholt plus und minusaufgaben bis 20 umgang mit mengen richtig viel uben auch auf zwei levels basis und forderseiten für individuellen lernfortschritt

klett rechnen bis 20 1 klasse grundschule - Aug 15 2023

web so wirst du zum helden in mathe in jedem heft gibt es ein spannendes abenteuer du kannst üben üben üben und wirst so zum meister für richtige aufgaben gibt es belohnungs sticker diese verraten dir am schluss durch das große lösungsbild wie das abenteuer ausgeht alle wichtigen lerninhalte im fach rechnen der 1

**best plumber singapore 1 rated affordable plumbing services** - Jul 10 2023

web we are a team of reliable plumbers who will handle all your plumbing services in singapore be it 1 plumbing chokes 2 plumbing installation replacement repair or 3 plumbing leakage pipe leak repair we have plumbers team ready everyday to solve your plumbing repair problems effectively and immediately message us via

**best plumber singapore reliable plumber singapore sg plumbing** - Jun 09 2023

web about us at sg plumbing we deliver efficient and reliable services to meet all our customer s need with over 30 years of experience in this industry we are dedicated to deliver quality workmanship and superior service to guarantee customer satisfaction we provide range of services to ensure that your plumbing needs are being addressed

**plumbing basics howstuffworks** - Apr 07 2023

web oct 6 2021 plumbing follows the basic laws of nature gravity pressure and water seeking its own level knowing this you can understand its mysteries and make dozens of fixes to your home s plumbing system you can save yourself time trouble and money the plumbing system in your home is composed of two separate subsystems one

**home plumbers singapore recommended 24 7 plumbing service** - Feb 05 2023

web expert plumbing services home plumbers are singapore s leading plumbing service company with a team of highly experienced tradesmen all at the top of their trade we provide top quality maintenance and new construction services if you re looking for reliable plumbing drain cleaning or bathroom and kitchen sanitary services look for us

plumbing wikipedia - Sep 12 2023

web plumbing is any system that conveys fluids for a wide range of applications plumbing uses pipes valves plumbing fixtures tanks and other apparatuses to convey fluids heating and cooling hvac waste removal and potable water delivery are among the most common uses for plumbing but it is not limited to these applications

*24 hours plumber singapore affordable licensed plumber* - Aug 11 2023

web 24 hour emergency plumbing top trusted plumber singapore toilet bowl servicing and repairs we are a team of licensed plumbers in singapore that specializes with all types of plumbing solutions working in the plumbing industry for over 20 years we offer a reasonable rate for our excellent workmanship and services solving 100 of plumbing

*16 trustworthy plumbing services in singapore 2023* - May 08 2023

web oct 23 2023 services repairing installation and replacement of sanitary plumbing fixtures for residential commercial and industrial buildings plugging of pipe leakage pipe installation clearing of choked pipes basin toilet bowls floor traps manholes etc by manual labour or machine assisted repair and replacement of water taps mixer taps

**expert plumbing repair and services in singapore offer 24** - Jan 04 2023

web with hw singapore plumbing you can expect great work down right at a fair and fixed price the price we agree on up front is the price you ll pay and not a penny more though we have over 20 years of plumbing expertise our real business is customer service call us today at 90371121 and you ll understand why

the 10 most reliable plumbing services in singapore 2023 - Oct 13 2023

web oct 19 2023 24 hour emergency plumbing service ps plumber singapore is available for plumbing work 24 7 no matter when a plumbing issue occurs their team still can respond quickly to assist you with your needs short response time it can be as fast as 30 minutes when there is an emergency 30 day labor warranty this plumber offers a 30 day

commercial plumber singapore kc plumbing - Mar 06 2023

web commercial plumber singapore we provide commercial plumbing for retail stores offices schools restaurants gyms stadiums and more in commercial buildings all pipes are used much more frequently than residential properties as a result durable pipes coupled with frequent maintenance by trained commercial plumbers must be carried out