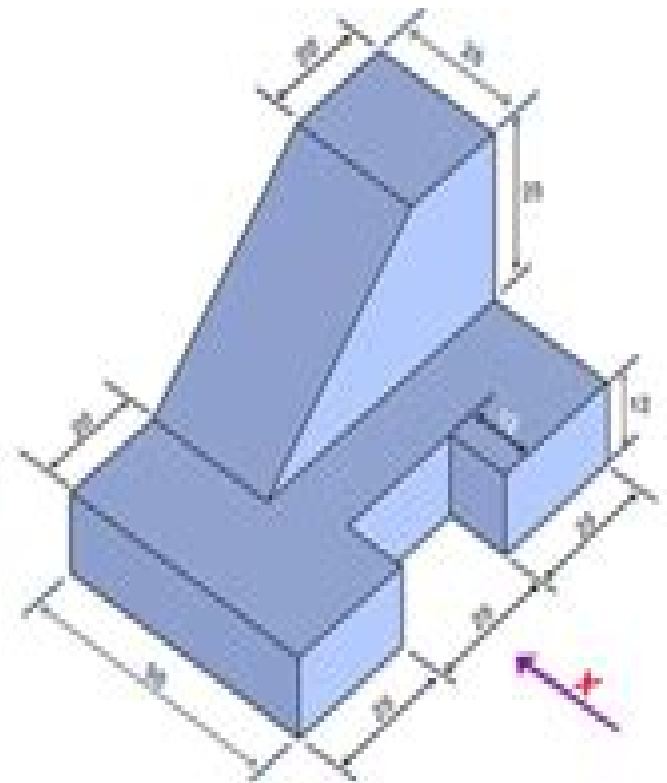
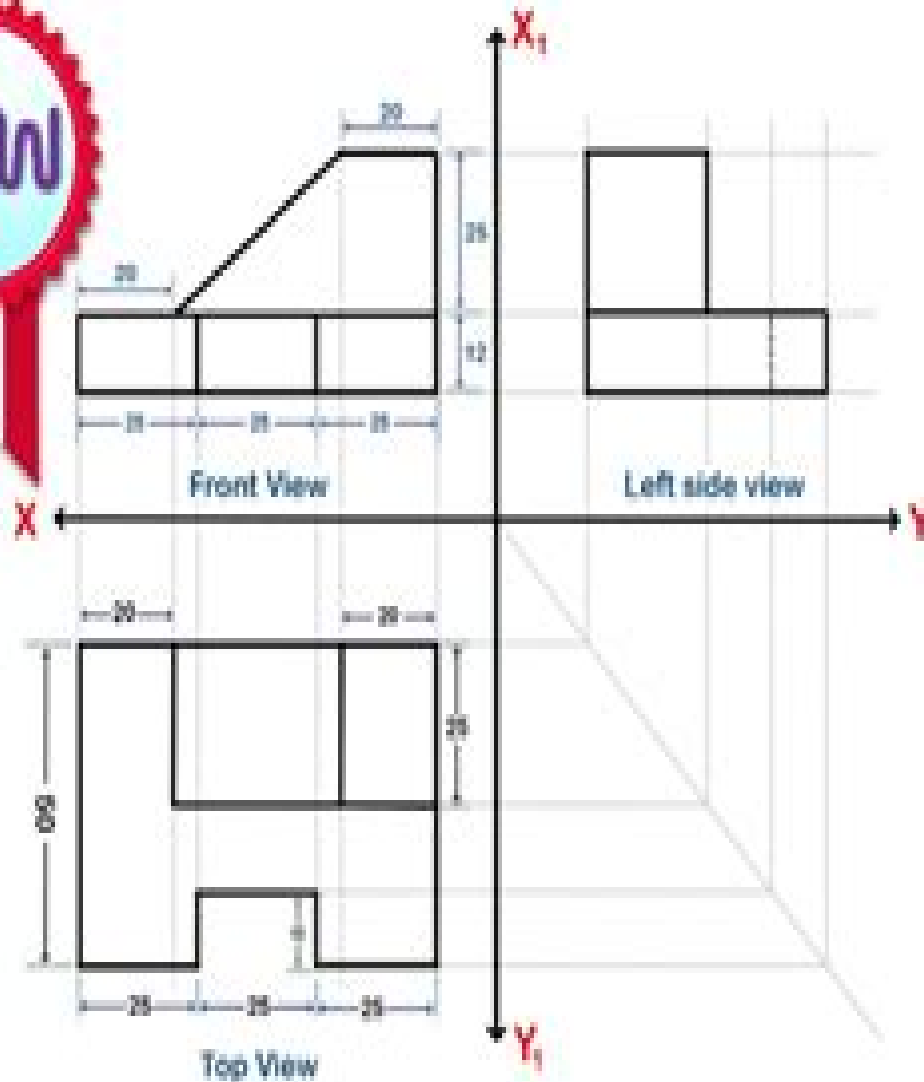


Orthographic Projection



Isometric View

Drawing Masterclab

Lauren Gardner



Drawing Masterclab:

Drawing Masterclab Book Review: Unveiling the Magic of Language

In an electronic digital era where connections and knowledge reign supreme, the enchanting power of language has become apparent than ever. Its capability to stir emotions, provoke thought, and instigate transformation is really remarkable. This extraordinary book, aptly titled "**Drawing Masterclab**," written by a highly acclaimed author, immerses readers in a captivating exploration of the significance of language and its profound affect our existence. Throughout this critique, we shall delve into the book's central themes, evaluate its unique writing style, and assess its overall influence on its readership.

https://autodiscover.cruiselady.com/files/publication/Documents/Austin_Weddings_The_Coopwood_And_Fields_Planning_Guide.pdf

Table of Contents Drawing Masterclab

1. Understanding the eBook Drawing Masterclab
 - The Rise of Digital Reading Drawing Masterclab
 - Advantages of eBooks Over Traditional Books
2. Identifying Drawing Masterclab
 - Exploring Different Genres
 - Considering Fiction vs. Non-Fiction
 - Determining Your Reading Goals
3. Choosing the Right eBook Platform
 - Popular eBook Platforms
 - Features to Look for in an Drawing Masterclab
 - User-Friendly Interface
4. Exploring eBook Recommendations from Drawing Masterclab
 - Personalized Recommendations
 - Drawing Masterclab User Reviews and Ratings
 - Drawing Masterclab and Bestseller Lists

5. Accessing Drawing Masterclub Free and Paid eBooks
 - Drawing Masterclub Public Domain eBooks
 - Drawing Masterclub eBook Subscription Services
 - Drawing Masterclub Budget-Friendly Options
6. Navigating Drawing Masterclub eBook Formats
 - ePub, PDF, MOBI, and More
 - Drawing Masterclub Compatibility with Devices
 - Drawing Masterclub Enhanced eBook Features
7. Enhancing Your Reading Experience
 - Adjustable Fonts and Text Sizes of Drawing Masterclub
 - Highlighting and Note-Taking Drawing Masterclub
 - Interactive Elements Drawing Masterclub
8. Staying Engaged with Drawing Masterclub
 - Joining Online Reading Communities
 - Participating in Virtual Book Clubs
 - Following Authors and Publishers Drawing Masterclub
9. Balancing eBooks and Physical Books Drawing Masterclub
 - Benefits of a Digital Library
 - Creating a Diverse Reading Collection Drawing Masterclub
10. Overcoming Reading Challenges
 - Dealing with Digital Eye Strain
 - Minimizing Distractions
 - Managing Screen Time
11. Cultivating a Reading Routine Drawing Masterclub
 - Setting Reading Goals Drawing Masterclub
 - Carving Out Dedicated Reading Time
12. Sourcing Reliable Information of Drawing Masterclub
 - Fact-Checking eBook Content of Drawing Masterclub
 - Distinguishing Credible Sources
13. Promoting Lifelong Learning

- Utilizing eBooks for Skill Development
 - Exploring Educational eBooks
14. Embracing eBook Trends
- Integration of Multimedia Elements
 - Interactive and Gamified eBooks

Drawing Masterclab Introduction

Drawing Masterclab Offers over 60,000 free eBooks, including many classics that are in the public domain. Open Library: Provides access to over 1 million free eBooks, including classic literature and contemporary works. Drawing Masterclab Offers a vast collection of books, some of which are available for free as PDF downloads, particularly older books in the public domain. Drawing Masterclab : This website hosts a vast collection of scientific articles, books, and textbooks. While it operates in a legal gray area due to copyright issues, its a popular resource for finding various publications. Internet Archive for Drawing Masterclab : Has an extensive collection of digital content, including books, articles, videos, and more. It has a massive library of free downloadable books. Free-eBooks Drawing Masterclab Offers a diverse range of free eBooks across various genres. Drawing Masterclab Focuses mainly on educational books, textbooks, and business books. It offers free PDF downloads for educational purposes. Drawing Masterclab Provides a large selection of free eBooks in different genres, which are available for download in various formats, including PDF. Finding specific Drawing Masterclab, especially related to Drawing Masterclab, might be challenging as theyre often artistic creations rather than practical blueprints. However, you can explore the following steps to search for or create your own Online Searches: Look for websites, forums, or blogs dedicated to Drawing Masterclab, Sometimes enthusiasts share their designs or concepts in PDF format. Books and Magazines Some Drawing Masterclab books or magazines might include. Look for these in online stores or libraries. Remember that while Drawing Masterclab, sharing copyrighted material without permission is not legal. Always ensure youre either creating your own or obtaining them from legitimate sources that allow sharing and downloading. Library Check if your local library offers eBook lending services. Many libraries have digital catalogs where you can borrow Drawing Masterclab eBooks for free, including popular titles. Online Retailers: Websites like Amazon, Google Books, or Apple Books often sell eBooks. Sometimes, authors or publishers offer promotions or free periods for certain books. Authors Website Occasionally, authors provide excerpts or short stories for free on their websites. While this might not be the Drawing Masterclab full book , it can give you a taste of the authors writing style. Subscription Services Platforms like Kindle Unlimited or Scribd offer subscription-based access to a wide range of Drawing Masterclab eBooks, including some popular titles.

FAQs About Drawing Masterclab Books

How do I know which eBook platform is the best for me? Finding the best eBook platform depends on your reading preferences and device compatibility. Research different platforms, read user reviews, and explore their features before making a choice. Are free eBooks of good quality? Yes, many reputable platforms offer high-quality free eBooks, including classics and public domain works. However, make sure to verify the source to ensure the eBook credibility. Can I read eBooks without an eReader? Absolutely! Most eBook platforms offer webbased readers or mobile apps that allow you to read eBooks on your computer, tablet, or smartphone. How do I avoid digital eye strain while reading eBooks? To prevent digital eye strain, take regular breaks, adjust the font size and background color, and ensure proper lighting while reading eBooks. What the advantage of interactive eBooks? Interactive eBooks incorporate multimedia elements, quizzes, and activities, enhancing the reader engagement and providing a more immersive learning experience. Drawing Masterclab is one of the best book in our library for free trial. We provide copy of Drawing Masterclab in digital format, so the resources that you find are reliable. There are also many Ebooks of related with Drawing Masterclab. Where to download Drawing Masterclab online for free? Are you looking for Drawing Masterclab PDF? This is definitely going to save you time and cash in something you should think about. If you trying to find then search around for online. Without a doubt there are numerous these available and many of them have the freedom. However without doubt you receive whatever you purchase. An alternate way to get ideas is always to check another Drawing Masterclab. This method for see exactly what may be included and adopt these ideas to your book. This site will almost certainly help you save time and effort, money and stress. If you are looking for free books then you really should consider finding to assist you try this. Several of Drawing Masterclab are for sale to free while some are payable. If you arent sure if the books you would like to download works with for usage along with your computer, it is possible to download free trials. The free guides make it easy for someone to free access online library for download books to your device. You can get free download on free trial for lots of books categories. Our library is the biggest of these that have literally hundreds of thousands of different products categories represented. You will also see that there are specific sites catered to different product types or categories, brands or niches related with Drawing Masterclab. So depending on what exactly you are searching, you will be able to choose e books to suit your own need. Need to access completely for Campbell Biology Seventh Edition book? Access Ebook without any digging. And by having access to our ebook online or by storing it on your computer, you have convenient answers with Drawing Masterclab To get started finding Drawing Masterclab, you are right to find our website which has a comprehensive collection of books online. Our library is the biggest of these that have literally hundreds of thousands of different products represented. You will also see that there are specific sites catered to different categories or niches related with Drawing Masterclab So depending on what exactly you are searching, you will be able to choose ebook to suit your own need. Thank you for reading Drawing Masterclab. Maybe

you have knowledge that, people have search numerous times for their favorite readings like this Drawing Masterclab, but end up in harmful downloads. Rather than reading a good book with a cup of coffee in the afternoon, instead they juggled with some harmful bugs inside their laptop. Drawing Masterclab is available in our book collection an online access to it is set as public so you can download it instantly. Our digital library spans in multiple locations, allowing you to get the most less latency time to download any of our books like this one. Merely said, Drawing Masterclab is universally compatible with any devices to read.

Find Drawing Masterclab :

[austin weddings the coopwood and fields planning guide](#)

[aus dreihundert jahren deutscher kadettenkorps](#)

autobiography of wilhelm stekel the life story of a pioneer psychoanalyst

[australian rainforest plants 6](#)

[auto boys big six](#)

australian parrots

autism is not a life sentence how one family took on autism and won

[australia library of nations](#)

[australia continents](#)

[aus der wichtelkache kochen far kinder](#)

[australian colonial policy](#)

[autodesk inventor 6 essentials](#)

[auto body repairing and repainting; modern simplified methods](#)

australian native gardening made easy

automatic golf the complete illustrated method for longer straighter shots

Drawing Masterclab :

benutzerhandbuch 400 lagoon sam arabtravelers com - Jun 07 2022

web benutzerhandbuch 400 lagoon 1 benutzerhandbuch 400 lagoon benutzerhandbuch 400 lagoon downloaded from sam arabtravelers com by guest randall elle title benutzerhandbuch 400 lagoon pdf sam arabtravelers com author randall elle created date 9 17 2023 3 20 35 am

lagoon 400 manualzz - Jan 02 2022

web benutzerhandbuch cata lagoon com was wir mit ihnen gemeinsam haben ist die leidenschaft für die see wir wir freuen uns sie in der großen familie der lagoon bootseigner willkommen zu heißen und möchten ihnen zu ihrem kauf herzlich gratulieren

wir teilen die liebe zum meer und zum segeln wir von lagoon - Aug 09 2022

web diese bedienungsanleitung wurde erstellt um sie bei der sicheren handhabung ihres schiffes zu unterstützen und zu ihrer freude und ihrem komfort beizutragen sie enthält einzelheiten zum schiff mitgelieferten und eingebauten geräten und systemen und gibt hilfreiche hinweise zur

lagoon 400 benutzerhandbuch seite 53 von 122 manualslib - Dec 13 2022

web ansicht und herunterladen lagoon 400 benutzerhandbuch online lagoon 400 boote pdf anleitung herunterladen ausstattunla g e o p t i o n a l die klimaanlage wird mit 110 v 220 v betrieben inbetriebnahme der klimaanlage Öffnen sie die pumpenwasserversorgungsventile eines in

lagoon 400 benutzerhandbuch pdf herunterladen - Aug 21 2023

web ansicht und herunterladen lagoon 400 benutzerhandbuch online lagoon 400 boote pdf anleitung herunterladen

benutzerhandbuch 400 lagoon home rightster com - Jul 08 2022

web benutzerhandbuch 400 lagoon keywords 400 lagoon benutzerhandbuch created date 4 18 2023 1 01 42 am

lagoon 400 benutzerhandbuch seite 4 von 122 manualslib - Jan 14 2023

web ansicht und herunterladen lagoon 400 benutzerhandbuch online lagoon 400 boote pdf anleitung herunterladen die see und das wasser sind nicht die natürliche umgebung des mens chen und man sollte deren gesetze und deren kräfte mit ehrfurcht be trachten passen sie die benutzung ihres

lagoon 400 benutzerhandbuch seite 3 von 122 manualslib - Feb 15 2023

web ansicht und herunterladen lagoon 400 benutzerhandbuch online lagoon 400 boote pdf anleitung herunterladen was wir mit ihnen gemeinsam haben ist die leidenschaft für die see wir bei lagoon weil wir bootsbauer sind sie weil das wasser sie unwi derstehlich anzieht

lagoon 400 owner s manual pdf download manualslib - Apr 17 2023

web view and download lagoon 400 owner s manual online 400 boat pdf manual download

lagoon 400 benutzerhandbuch seite 60 von 122 manualslib - Nov 12 2022

web ansicht und herunterladen lagoon 400 benutzerhandbuch online lagoon 400 boote pdf anleitung herunterladen sicherungen installation hinter elektrischer schalttafel elektrizität 58 douche vhf hifi aux 1 aux 3 douche aux 2 aux 4 installation kajüte hinten backbord 1 nebenschluss

lagoon 400 benutzerhandbuch seite 45 von 122 manualslib - Mar 16 2023

web ansicht und herunterladen lagoon 400 benutzerhandbuch online lagoon 400 boote pdf anleitung herunterladen
inhaltsverzeichnis instandhaltung innenraum seite 47 decksluken und bullaugen seite 49 waschmaschine optionen seite 51
klimaanlage optional seite 52

benutzerhandbuch 400 lagoon sam arabtravelers com - May 06 2022

web benutzerhandbuch 400 lagoon 3 3 computational fluid dynamics and environmental impact assessments as well as
hydrologists and bridge coastal and dam engineers guiding readers from fundamental theory to the more advanced topics in
the application of the finite element method and the telemac system this book is a key reference for a

lagoon lagoon 400 handbücher manualslib - May 18 2023

web lagoon lagoon 400 handbücher anleitungen und benutzerhandbücher für lagoon lagoon 400 wir haben 1 lagoon lagoon
400 anleitung zum kostenlosen pdf download zur verfügung benutzerhandbuch

lagoon katamaran nord exklusiv händler in norddeutschland lagoon 400 - Sep 10 2022

web die lagoon 400 s2 ist das ergebnis jenes know hows das die lagoon werft seit 1984 gesammelt hat so besticht sie sowohl
in der 3 als auch in 4 kabinenversion durch ihre ausgewogenheit das gilt gleichwohl für das verhältnis vom rumpfvolumen
zur leistung für das platzangebot auf und unter deck im salon im cockpit in den kabinen und in

benutzerhandbuch 400 lagoon uniport edu ng - Feb 03 2022

web aug 2 2023 benutzerhandbuch 400 lagoon 1 1 downloaded from uniport edu ng on august 2 2023 by guest
benutzerhandbuch 400 lagoon thank you entirely much for downloading benutzerhandbuch 400 lagoon most likely you have
knowledge that people have see numerous period for their favorite books later than this

benutzerhandbuch 400 lagoon uniport edu ng - Apr 05 2022

web aug 12 2023 benutzerhandbuch 400 lagoon 1 13 downloaded from uniport edu ng on august 12 2023 by guest
benutzerhandbuch 400 lagoon this is likewise one of the factors by obtaining the soft documents of this benutzerhandbuch
400 lagoon by online you might not require more get older to spend to go to the ebook establishment as

lagoon400 ma 02c lagoon catamaran de - Jul 20 2023

web dieses handbuch ist erstellt worden damit sie freude an ihrem boot ha ben und bequem und sicher damit segeln können
es enthält eine de taillierte beschreibung ihres bootes seiner mitgelieferten oder montierten ausstattung sowie hinweise für
den betrieb und die instand haltung wir empfehlen ihnen das handbuch gründlich zu studieren be

lagoon 400 manuals manualslib - Jun 19 2023

web lagoon 400 manuals manuals and user guides for lagoon 400 we have 1 lagoon 400 manual available for free pdf
download owner s manual lagoon 400 owner s manual 122 pages brand lagoon category boat size 5 58 mb table of contents

table of contents 5 navigation 8 getting under way 9 visibility in navigation 9 navigation under
benutzerhandbuch 400 lagoon 50storiesfortomorrow ilfu com - Mar 04 2022

web book benutzerhandbuch 400 lagoon a literary masterpiece that delves deep to the significance of words and their effect
 on our lives written by a renowned author this captivating work takes readers

lagoon 400 s2 01 2013 deutsch pdf kostenfreier download - Oct 11 2022

web deutsch lagoon 52 01 2013 deutsch lagoon 52 01 2013 page 2 aufbau bauweise harzinfusionsverfahren hochqualitative
 polyester und osmoseschutzharze auf balsakern mit glasfaserdecklagen rumpfböden und kiele mehr beschreibung

warrior pose how yoga literally saved my life kindle - Jan 22 2023

web warrior pose is an adventure chronicling some of the most momentous events of our time through a journalist s eyes an
 unforgettable story about the power of love between father

warrior pose how yoga literally saved my life google books - Jul 28 2023

web may 7 2013 warrior pose how yoga literally saved my life brad willis bhava ram benbella books inc may 7 2013 body
 mind spirit 384 pages from covering the

the effects of warrior pose kundalini yoga school - Dec 09 2021

web jun 13 2018 physical mental and spiritual benefits of archer pose warrior pose makes you feel firm and grounded
 strengthening of the nervous system strengthens the

[warrior pose how yoga literally saved my life publishers](#) - Nov 20 2022

web warrior pose how yoga literally saved my life brad willis benbella perseus dist 14 95 trade paper 384p isbn 978
 193785669 4

the ultimate guide to the warrior poses virabhadrasana - Jan 10 2022

web oct 24 2020 the three warrior poses yoga target and open different areas of your body warrior 1 is a heart opening
 pose that expands your chest warrior 2 creates a deep

how to do the warrior pose in yoga 9 steps with pictures - Mar 12 2022

web may 6 2021 warrior pose i or virabhadrasana i is a focusing and strengthening pose meant to build a connection
 grounding you with the earth s energy stand with both feet

warrior pose how yoga literally saved my life alibris - May 14 2022

web buy warrior pose how yoga literally saved my life by brad willis bhava ram online at alibris we have new and used copies
 available in 1 editions starting at 1 45 shop

warrior pose how yoga literally saved my life google books - Apr 25 2023

web may 7 2013 warrior pose how yoga literally saved my life an amazing journey through war zones and global crises and

an inner journey of profound self healing

warrior 1 pose how to practice virabhadrasana i yoga journal - Apr 13 2022

web oct 28 2021 warrior 1 pose is filled with opposing alignments but when all of the opposing movements work together the pose offers a full body experience you will

warrior pose how yoga literally saved my life amazon com - Aug 29 2023

web may 7 2013 he is the author of the memoir warrior pose how yoga literally saved my life deep yoga ancient wisdom for modern times and the eight limbs of yoga

warrior pose how yoga literally saved my life abebooks - Jul 16 2022

web abebooks com warrior pose how yoga literally saved my life 9781937856694 by willis brad ram bhava and a great selection of similar new used and collectible

warrior pose how yoga literally saved my life amazon co uk - Jun 27 2023

web may 23 2013 he is the author of the memoir warrior pose how yoga literally saved my life deep yoga ancient wisdom for modern times and the eight limbs of yoga

editions of warrior pose how yoga literally saved my life by - Oct 19 2022

web editions for warrior pose how yoga literally saved my life 1937856690 paperback published in 2013 kindle edition published in 2013 1937856704

warrior pose how yoga literally saved my life - Aug 17 2022

web warrior pose how yoga literally saved my life paperback 7 may 2013 from covering the front lines of the gulf war to investigating colombian drug lords to living

warrior pose how yoga literally saved my life archive org - Sep 18 2022

web aug 17 2021 warrior pose how yoga literally saved my life by ram bhava publication date 2013 topics ram bhava health throat cancer patients

warrior pose quotes by brad willis goodreads - Jun 15 2022

web yoga has taught me that a fundamental principle of life is that energy follows intention when we create a strong intention and really believe in it the world magically seeks to

fierce warrior pose yoga sequence at home verywell fit - Feb 11 2022

web dec 8 2021 verywell ben goldstein step your left foot toward the back of your mat to come into warrior i bring the left heel to the floor and turn the toes out to about a 45

warrior pose how yoga literally saved my life kindle edition - Feb 23 2023

web may 7 2013 warrior pose how yoga literally saved my life ebook willis brad ram bhava amazon co uk kindle store

warrior pose how yoga literally saved my life goodreads - May 26 2023

web brad willis bhava ram from the front lines of the gulf war to investigating columbian drug lords to living with freedom fighters in the mountains of afghanistan war correspondent

warrior pose how yoga literally saved my life ebook - Nov 08 2021

web warrior pose how yoga literally saved my life ebook willis brad ram bhava amazon in kindle store

warrior pose how yoga literally saved my life google play - Mar 24 2023

web warrior pose how yoga literally saved my life ebook written by brad willis bhava ram read this book using google play books app on your pc android ios devices

warrior pose how yoga literally saved my - Dec 21 2022

web may 7 2013 warrior pose is an adventure chronicling some of the most momentous events of our time through a journalist s eyes an unforgettable story about the power of

tokyo ghoul re 16 volume 16 ishida sui amazon com tr - Apr 11 2023

web birleşik krallık ta 1 mayıs 2020 tarihinde değerlendirildi doğrulanmış alışveriş the 16th and final volume of tokyo ghoul re is here and the collection is finally completed this volume is twice the size of the previous volumes and leaves us with a bittersweet send off

tokyo ghoul re complete box set includes vols 1 16 with - Jul 02 2022

web in the world of tokyo ghoul sometimes the only way to fight monsters is to become one a box set that includes all 16 volumes of the original tokyo ghoul re series with an exclusive double sided poster

tokyo ghoul re vol 16 16 amazon com - Jun 01 2022

web apr 21 2020 save 50 on 1 when you buy 2 shop items in the world of tokyo ghoul sometimes the only way to fight monsters is to become one the commission of counter ghoul is the only organization fighting the ghoul menace and they will use every tool at their disposal to protect humanity from its ultimate predator

re chapter 16 tokyo ghoul wiki fandom - Nov 06 2022

web right □ mihi is the sixteenth chapter of the manga tokyo ghoul re juuzou suzuya hanbee abara tooru mutsuki saiko yonebayashi ginshi shirazu yuukinori shinohara touka kirishima haise sasaki kuki urie akira mado nutcracker the auction mopping up operation begins in one week and juuzou suzuya

tokyo ghoul re 16 ishida sui amazon com tr - Feb 09 2023

web tokyo ghoul re 16 ishida sui amazon com tr Çerez tercihlerinizi seçin alışveriş deneyiminizi geliştirmek hizmetlerimizi sunmak müşterilerin hizmetlerimizi nasıl kullandığını anlayarak iyileştirmeler yapabilmek ve tanıtımları gösterebilmek için çerezler ve benzeri araçları kullanmaktayız

tokyo ghoul re 16 kağıt kapak 26 nisan 2019 amazon com tr - Oct 05 2022

web tokyo ghoul re 16 ishida sui belarra lópez edith amazon com tr kitap Çerez tercihlerinizi seçin Çerez bildirimimizde ayrıntılı şekilde açıklandığı üzere alışveriş yapmanızı sağlamak alışveriş deneyiminizi iyileştirmek ve hizmetlerimizi sunmak için gerekli olan çerezleri ve benzer araçları kullanırız

tokyo ghoul re 16 volume 16 sui ishida fiyat satın al d r - Jul 14 2023

web bir sui ishida eseri olan tokyo ghoul re 16 volume 16 en cazip fiyat ile d r de keşfetmek için hemen tıklayınız

tokyo ghoul re - Mar 30 2022

web tokyo ghoul re 9 14 10 Üzerinden oylamaya 1640 kişi katıldı ccg nin anteiku baskınından bu yana iki yıl geçmiştir tokyo daki atmosfer ccg nin artan nüfusundan ötürü büyük ölçüde değişse de ghoul lar hala bir tehlike unsuru olarak algılanmaktadır özellikle ccg nin kendi varlıklarına kastı olduğunu

tokyo ghoul re myanimelist net - Feb 26 2022

web tokyo ghoul re is one heck of a series from the start you are taken on the world of sasaki haise and the quinx squad the story at the beginning was quite confusing having no context about the actual series at all however the pieces start to fall in much later and the story gets more in depth than before

tokyo ghoul re tokyo ghoul wiki fandom - Jan 08 2023

web dec 19 2014 ████████████████████ re romanized title tōkyō gūru re author sui ishida original run october 16 2014 july 5 2018 published by shueisha english publisher viz media magazine weekly young jump volumes 16 179 chapters genre action drama horror psychological seinen supernatural

tokyo ghoul re vol 16 is a bittersweet ending to the series cbr - Apr 30 2022

web apr 12 2020 comic book reviews tokyo ghoul re vol 16 is a bittersweet ending to the series by maxwell freedman published apr 12 2020 scrambling for a swift conclusion the final volume of tokyo ghoul re wraps up the series well but it could have been so much more writer sui ishida artist sui ishida publisher viz price 12 99 usd release

tokyo ghoul re - Jun 13 2023

web although the atmosphere in tokyo has changed drastically due to the increased influence of the ccg ghouls continue to pose a problem as they have begun taking caution especially the terrorist organization aogiri tree who acknowledge the ccg s growing threat to their existence tokyo ghoul re chapter 180 ishida sui s final message read

tokyo gūl wiki - Dec 27 2021

web tokyo ghoul jack adlı bir önbölüm serisi ağustos eylül 2013 tarihleri arasında jump live uygulamasında çevrimiçi olarak yayınlandı tokyo ghoul re adlı devam serisi ise nisan 2014 aralık 2018 tarihleri arasında weekly young jump

tokyo ghoul re vol 16 sui ishida kitap özeti konusu ve - Mar 10 2023

web jun 29 2023 tokyo ghou re vol 16 kimin eseri tokyo ghou re vol 16 kitabının yazarı kimdir tokyo ghou re vol 16 konusu ve anafikri nedir tokyo ghou re vol 16 kitabı ne anlatıyor tokyo ghou re vol 16 pdf indirme linki var mı tokyo ghou re vol 16 kitabının yazarı sui ishida kimdir İşte tokyo ghou re vol 16 kitabı

viz read a free preview of tokyo ghou re vol 16 - Dec 07 2022

web the ghou ccg alliance secures its first victory when it rescues kaneki from the monster he was entombed within but the creature still poses a dire threat to the city as it continues to birth mutant ghouls some of which are infecting humans with a horrific form of ghouлизм the only cure lies deep in the belly of the beast itself and

re volume 16 tokyo ghou wiki fandom - Sep 04 2022

web the sixteenth and final volume of the manga tokyo ghou re ken kaneki ichika kaneki chapter 165 faded chapter 166 e t chapter 167 see through chapter 168 fragrant but chapter 169 towards the group factors chapter 170 evolution and the stars chapter 171 disappear chapter 172 enough

tokyo ghou re vol 16 tokyo ghou re 16 by sui ishida goodreads - Jan 28 2022

web mar 18 2016 saying all that i think tokyo ghou and its sequel tokyo ghou re will go down as some of my favorite mangas of all time the way sui ishida gave us a tale of kaneki a nerdy kid who gains powers far beyond him and then forced into a world only to try and change the way it is ran was super special for me

tokyo ghou re tome 16 tokyo ghou re 16 ishida sui - Aug 03 2022

web tokyo ghou re tome 16 tokyo ghou re 16 ishida sui amazon com tr Çerez tercihlerinizi seçin alışveriş deneyiminizi geliştirmek hizmetlerimizi sunmak müşterilerin hizmetlerimizi nasıl kullandığını anlayarak iyileştirmeler yapabilmek ve ilgi alanlarına göre özelleştirilmiş reklamlar da dahil olmak üzere reklamları

tokyo ghou re vol 16 16 sui ishida hepsiburada com - May 12 2023

web tokyo ghou re vol 16 16 sui ishida kitabı en iyi fiyatla burada tıkla tokyo ghou re vol 16 16 sui ishida eserini hızlı ve kolay bir şekilde satın al siparişlerim

tokyo ghou re chapter 16 - Aug 15 2023

web you are reading tokyo ghou re chapter 16 in english read chapter 16 000 of tokyo ghou re manga online on ww9 tokyoghoulre com for free there might be spoilers in the comment section so don t read the comments before reading the chapter if chapter is not working broken please comment below