

BASIC RADIO COURSE

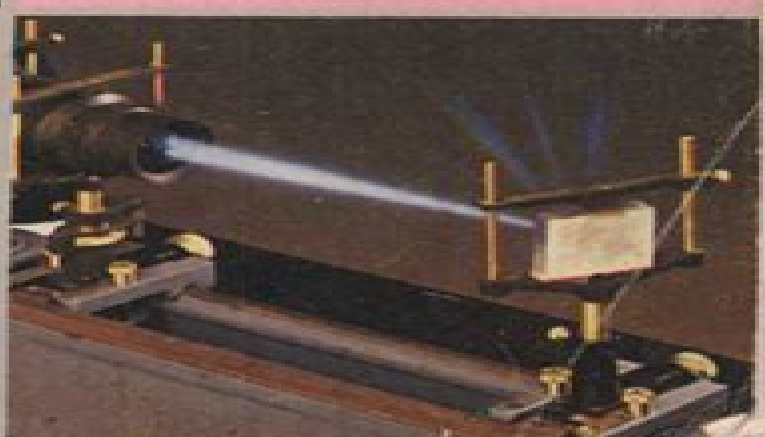
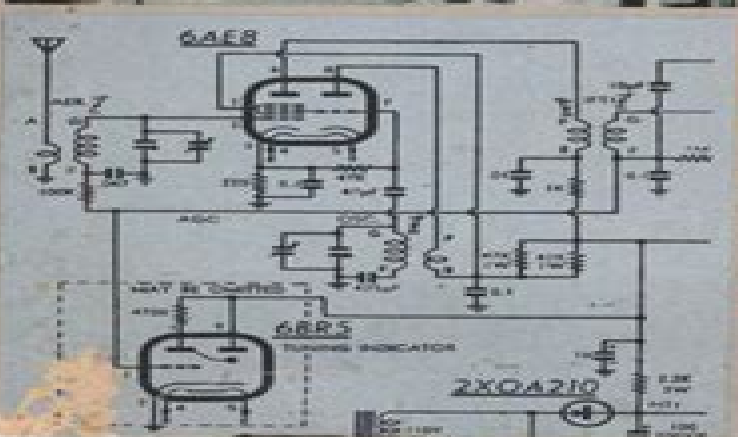
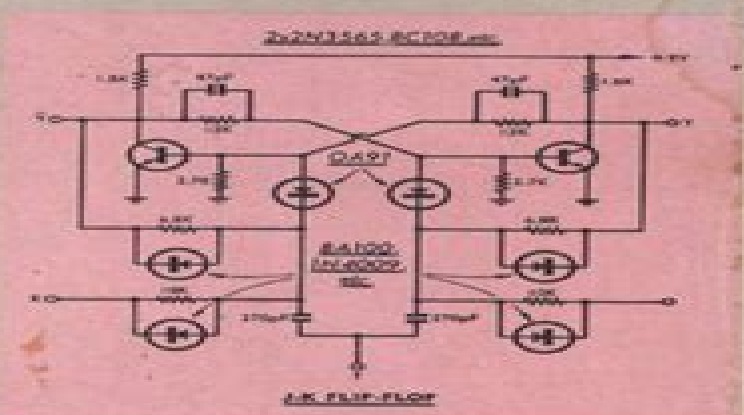


Prepared and published by
ELECTRONICS AUSTRALIA
Incorp. "Radio, Television & Hobbies"

AN
EASY-TO-READ
INTRODUCTION
TO RADIO
AND
ELECTRONICS



1967



\$1.50

Basic Radio Course

Yicheng Fang



Basic Radio Course:

Basic Radio Course John T. Frye,1961 Basic Radio Journalism Paul Chantler,Peter Stewart,2013-08-22 A working manual and practical guide containing all the tools and techniques you need to succeed in radio journalism **Basic Radio Training Manual** New Zealand Association of Radio Transmitters,1976 The Development of a Basic Radio Course for the Seattle High Schools ... Virgil Whitehead,1949 *The Basic Course in Radio* Sherman Paxton Lawton,1939 **The 1984 Guide to the Evaluation of Educational Experiences in the Armed Services** ,1984 Resources in Education ,1975 *The 1980 Guide to the Evaluation of Educational Experiences in the Armed Services: Coast Guard, Marine Corps, Navy, Dept. of Defense* American Council on Education,1980 Basic Radio Training Manual ,1980 **Catalog** United States Armed Forces Institute,1971 The 1980 Guide to the Evaluation of Educational Experiences in the Armed Services: Army American Council on Education,1980 Service Bulletin of the FREC Federal Radio Education Committee,1939 **Radio-electronics** ,1963 **The 1984 Guide to the Evaluation of Educational Experiences in the Armed Services** American Council on Education,1984 **The Publishers Weekly** ,1945-03 The 2002 Guide to the Evaluation of Educational Experiences in the Armed Services American Council on Education,2002 Long considered to be the standard reference work in this area this three volume set describes more than 8 000 courses offered between January 1990 and the present by various service branches and the Department of Defense Long considered to be the standard reference work in this area this three volume set describes more than 8 000 courses offered between January 1990 and the present by various service branches and the Department of Defense Updated every two years **Radio Operator: Students manual for all arms. Radio sets** United States. Army. Signal Corps,1924 *Approved Technical Institutes* National Council of Technical Schools,1947 Radio ,1923 *School Shop for Industrial Arts & Vocational Education Teachers* ,1942

Basic Radio Course: Bestsellers in 2023 The year 2023 has witnessed a remarkable surge in literary brilliance, with numerous compelling novels captivating the hearts of readers worldwide. Lets delve into the realm of bestselling books, exploring the fascinating narratives that have charmed audiences this year. The Must-Read : Colleen Hoover's "It Ends with Us" This poignant tale of love, loss, and resilience has captivated readers with its raw and emotional exploration of domestic abuse. Hoover masterfully weaves a story of hope and healing, reminding us that even in the darkest of times, the human spirit can succeed. Uncover the Best : Taylor Jenkins Reids "The Seven Husbands of Evelyn Hugo" This intriguing historical fiction novel unravels the life of Evelyn Hugo, a Hollywood icon who defies expectations and societal norms to pursue her dreams. Reids compelling storytelling and compelling characters transport readers to a bygone era, immersing them in a world of glamour, ambition, and self-discovery. Basic Radio Course : Delia Owens "Where the Crawdads Sing" This evocative coming-of-age story follows Kya Clark, a young woman who grows up alone in the marshes of North Carolina. Owens spins a tale of resilience, survival, and the transformative power of nature, captivating readers with its evocative prose and mesmerizing setting. These bestselling novels represent just a fraction of the literary treasures that have emerged in 2023. Whether you seek tales of romance, adventure, or personal growth, the world of literature offers an abundance of compelling stories waiting to be discovered. The novel begins with Richard Papen, a bright but troubled young man, arriving at Hampden College. Richard is immediately drawn to the group of students who call themselves the Classics Club. The club is led by Henry Winter, a brilliant and charismatic young man. Henry is obsessed with Greek mythology and philosophy, and he quickly draws Richard into his world. The other members of the Classics Club are equally as fascinating. Bunny Corcoran is a wealthy and spoiled young man who is always looking for a good time. Charles Tavis is a quiet and reserved young man who is deeply in love with Henry. Camilla Macaulay is a beautiful and intelligent young woman who is drawn to the power and danger of the Classics Club. The students are all deeply in love with Morrow, and they are willing to do anything to please him. Morrow is a complex and mysterious figure, and he seems to be manipulating the students for his own purposes. As the students become more involved with Morrow, they begin to commit increasingly dangerous acts. The Secret History is a brilliant and gripping novel that will keep you wondering until the very end. The novel is a cautionary tale about the dangers of obsession and the power of evil.

https://autodiscover.cruiselady.com/results/Resources/fetch.php/Allende_Death_Of_A_Marxist_Dream.pdf

Table of Contents Basic Radio Course

1. Understanding the eBook Basic Radio Course
 - The Rise of Digital Reading Basic Radio Course
 - Advantages of eBooks Over Traditional Books
2. Identifying Basic Radio Course
 - Exploring Different Genres
 - Considering Fiction vs. Non-Fiction
 - Determining Your Reading Goals
3. Choosing the Right eBook Platform
 - Popular eBook Platforms
 - Features to Look for in an Basic Radio Course
 - User-Friendly Interface
4. Exploring eBook Recommendations from Basic Radio Course
 - Personalized Recommendations
 - Basic Radio Course User Reviews and Ratings
 - Basic Radio Course and Bestseller Lists
5. Accessing Basic Radio Course Free and Paid eBooks
 - Basic Radio Course Public Domain eBooks
 - Basic Radio Course eBook Subscription Services
 - Basic Radio Course Budget-Friendly Options
6. Navigating Basic Radio Course eBook Formats
 - ePub, PDF, MOBI, and More
 - Basic Radio Course Compatibility with Devices
 - Basic Radio Course Enhanced eBook Features
7. Enhancing Your Reading Experience
 - Adjustable Fonts and Text Sizes of Basic Radio Course
 - Highlighting and Note-Taking Basic Radio Course
 - Interactive Elements Basic Radio Course
8. Staying Engaged with Basic Radio Course

- Joining Online Reading Communities
 - Participating in Virtual Book Clubs
 - Following Authors and Publishers Basic Radio Course
9. Balancing eBooks and Physical Books Basic Radio Course
- Benefits of a Digital Library
 - Creating a Diverse Reading Collection Basic Radio Course
10. Overcoming Reading Challenges
- Dealing with Digital Eye Strain
 - Minimizing Distractions
 - Managing Screen Time
11. Cultivating a Reading Routine Basic Radio Course
- Setting Reading Goals Basic Radio Course
 - Carving Out Dedicated Reading Time
12. Sourcing Reliable Information of Basic Radio Course
- Fact-Checking eBook Content of Basic Radio Course
 - Distinguishing Credible Sources
13. Promoting Lifelong Learning
- Utilizing eBooks for Skill Development
 - Exploring Educational eBooks
14. Embracing eBook Trends
- Integration of Multimedia Elements
 - Interactive and Gamified eBooks

Basic Radio Course Introduction

Basic Radio Course Offers over 60,000 free eBooks, including many classics that are in the public domain. Open Library: Provides access to over 1 million free eBooks, including classic literature and contemporary works. Basic Radio Course Offers a vast collection of books, some of which are available for free as PDF downloads, particularly older books in the public domain. Basic Radio Course : This website hosts a vast collection of scientific articles, books, and textbooks. While it operates in a legal gray area due to copyright issues, its a popular resource for finding various publications. Internet Archive for Basic Radio Course : Has an extensive collection of digital content, including books, articles, videos, and more. It has a massive

library of free downloadable books. Free-eBooks Basic Radio Course Offers a diverse range of free eBooks across various genres. Basic Radio Course Focuses mainly on educational books, textbooks, and business books. It offers free PDF downloads for educational purposes. Basic Radio Course Provides a large selection of free eBooks in different genres, which are available for download in various formats, including PDF. Finding specific Basic Radio Course, especially related to Basic Radio Course, might be challenging as they're often artistic creations rather than practical blueprints. However, you can explore the following steps to search for or create your own Online Searches: Look for websites, forums, or blogs dedicated to Basic Radio Course, Sometimes enthusiasts share their designs or concepts in PDF format. Books and Magazines Some Basic Radio Course books or magazines might include. Look for these in online stores or libraries. Remember that while Basic Radio Course, sharing copyrighted material without permission is not legal. Always ensure you're either creating your own or obtaining them from legitimate sources that allow sharing and downloading. Library Check if your local library offers eBook lending services. Many libraries have digital catalogs where you can borrow Basic Radio Course eBooks for free, including popular titles. Online Retailers: Websites like Amazon, Google Books, or Apple Books often sell eBooks. Sometimes, authors or publishers offer promotions or free periods for certain books. Authors Website Occasionally, authors provide excerpts or short stories for free on their websites. While this might not be the Basic Radio Course full book, it can give you a taste of the authors writing style. Subscription Services Platforms like Kindle Unlimited or Scribd offer subscription-based access to a wide range of Basic Radio Course eBooks, including some popular titles.

FAQs About Basic Radio Course Books

How do I know which eBook platform is the best for me? Finding the best eBook platform depends on your reading preferences and device compatibility. Research different platforms, read user reviews, and explore their features before making a choice. Are free eBooks of good quality? Yes, many reputable platforms offer high-quality free eBooks, including classics and public domain works. However, make sure to verify the source to ensure the eBook credibility. Can I read eBooks without an eReader? Absolutely! Most eBook platforms offer webbased readers or mobile apps that allow you to read eBooks on your computer, tablet, or smartphone. How do I avoid digital eye strain while reading eBooks? To prevent digital eye strain, take regular breaks, adjust the font size and background color, and ensure proper lighting while reading eBooks. What the advantage of interactive eBooks? Interactive eBooks incorporate multimedia elements, quizzes, and activities, enhancing the reader engagement and providing a more immersive learning experience. Basic Radio Course is one of the best book in our library for free trial. We provide copy of Basic Radio Course in digital format, so the resources that you find are reliable. There are also many Ebooks of related with Basic Radio Course. Where to download Basic Radio Course online

for free? Are you looking for Basic Radio Course PDF? This is definitely going to save you time and cash in something you should think about. If you trying to find then search around for online. Without a doubt there are numerous these available and many of them have the freedom. However without doubt you receive whatever you purchase. An alternate way to get ideas is always to check another Basic Radio Course. This method for see exactly what may be included and adopt these ideas to your book. This site will almost certainly help you save time and effort, money and stress. If you are looking for free books then you really should consider finding to assist you try this. Several of Basic Radio Course are for sale to free while some are payable. If you arent sure if the books you would like to download works with for usage along with your computer, it is possible to download free trials. The free guides make it easy for someone to free access online library for download books to your device. You can get free download on free trial for lots of books categories. Our library is the biggest of these that have literally hundreds of thousands of different products categories represented. You will also see that there are specific sites catered to different product types or categories, brands or niches related with Basic Radio Course. So depending on what exactly you are searching, you will be able to choose e books to suit your own need. Need to access completely for Campbell Biology Seventh Edition book? Access Ebook without any digging. And by having access to our ebook online or by storing it on your computer, you have convenient answers with Basic Radio Course To get started finding Basic Radio Course, you are right to find our website which has a comprehensive collection of books online. Our library is the biggest of these that have literally hundreds of thousands of different products represented. You will also see that there are specific sites catered to different categories or niches related with Basic Radio Course So depending on what exactly you are searching, you will be able to choose ebook to suit your own need. Thank you for reading Basic Radio Course. Maybe you have knowledge that, people have search numerous times for their favorite readings like this Basic Radio Course, but end up in harmful downloads. Rather than reading a good book with a cup of coffee in the afternoon, instead they juggled with some harmful bugs inside their laptop. Basic Radio Course is available in our book collection an online access to it is set as public so you can download it instantly. Our digital library spans in multiple locations, allowing you to get the most less latency time to download any of our books like this one. Merely said, Basic Radio Course is universally compatible with any devices to read.

Find Basic Radio Course :

allende death of a marxist dream

all set about with fever trees and other stories

all american rejects move along

all the way home

all fourteen-eightthousanders

alles nur geklaut roman

all about spain

all upon a stone

all blues soloing for jazz guitar scales licks concepts & choruses

all of mont saint michel

all the olympians a biographical portrait of the irish literary renaissance

all real meeting is living select poets series

all my laurels inscribed

all in one college guide

all the worlds a stage bbc bbc radio presents

Basic Radio Course :

engineering decisionmatrix template pdf scribd - Nov 27 2022

web oct 30 2021 a decision matrix can help you evaluate the best option between different choices based on several important factors and their relative importance there are

decision matrix templates for powerpoint slides slideuplift - Dec 17 2021

the decision matrix as a tool for effective student collaboration - Jul 04 2023

web dl design a game decision matrix template pltw engineering dl design a game decision matrix ideas criteria and constraints totals meets size constraints

decision matrix computer science - Jan 18 2022

best powerpoint templates for presenting decision making models - Nov 15 2021

charmed im sure pltw engineering decision matrix - Mar 20 2022

web jul 1 2021 decision tree powerpoint template usually a decision tree needs to be constructed manually however by using the template below you can design a

what is a decision matrix templates examples and - Dec 29 2022

web a scale there is standard scales usually utilized on decision matrices such as 0 to 5 1 to 10 1 to 5 and 1 to 3 every scale functions on its value but most people prefer using the

free decision matrix templates smartsheet - Feb 28 2023

web make decisions confidently and rationally with this decision matrix template when presenting to executives for operations finance strategy and marketing strategy teams

decision matrix template lms content pltw org - Oct 07 2023

web author pltw programs team created date 06 14 2017 06 09 00 title decision matrix template last modified by gerald holt company project lead the way inc

project 2 4 1 decision matrix template wordpress com - Jan 30 2023

web there are many styles of decision matrices out there this is simply the setup that i use with my pltw ied using a decision matrix decision matrix pugh s method a

1 1 5 decision matrix dl design a game decision matrix - May 02 2023

web project 2 4 1 decision matrix template subject ied teacher guidelines support materials unit 2 lesson 2 4 advanced designs author brett handley last modified

7 quick and easy steps to creating a decision matrix with - Jul 24 2022

web pltw engineering decision matrix template criteria and constraints ideas maximum volume less than 3 cubic inches includes 2 of the given ideas from customer the hole

engineering decision matrix rubric s3 amazonaws com - Jun 03 2023

web view decision matrix template docx from engineerin pltw at dulaney high decision matrix template pltw engineering decision matrix template criteria and

[lms content pltw orgcurriculumgatewaydmcaptures1 4](#) - Feb 16 2022

12 best decision matrix templates word excel - Aug 05 2023

web a choice from the list of possible solutions is made but is not supported by the decision making matrix or a choice was not obvious due to misuse or misinterpretation of the

engineering decision matrix pltw pdf course hero - Apr 20 2022

web a decision matrix is usually an inverted l shape having one list of values on the left most column and one on the top most row establish a rating scale that is suitable for your

19 free decision matrix templates and examples - Aug 25 2022

web decision matrix template docx file size 53 kb file type docx ied pltw engineering classes this video is made for other teachers and explains what a decision matrix is

pltw ied using a decision matrix youtube - Sep 06 2023

web am ashley puopolo am here to help you can find me at apuopolo stonehamschools org bit ly magatewaymatrix what is a decision matrix a tool for comparing design

[simplified decision matrix google sheets](#) - May 22 2022

web decision matrix decision making matrix taking a close look at preliminary ideas developed by project lead the way develop a decision matrix a decision matrix is

[decision matrix template docx decision matrix template pltw](#) - Apr 01 2023

web engineering decisionmatrix template docx free download as word doc doc docx pdf file pdf text file txt or read online for free scribd is the world s largest social

[engineering decision matrix pltw 1 pdf course hero](#) - Sep 25 2022

web to copy edit and make changes from the menu select file make a copy purchase laptop home file insert page layout

[decision matrix template free excel word pdf](#) - Jun 22 2022

web oct 22 2018 pltw video for using a decision matrix

decision matrix template powerslides - Oct 27 2022

web oct 13 2019 what is a decision matrix template flipping a coin for every decision you make is not always very efficient you can t always procrastinate and hope someone else

for the love of white the white neutral home by chrissie - Jul 24 2022

web sep 10 2019 for the love of white white neutral home by chrissie rucker 9781784725563 booktopia create calming peaceful spaces in your home with white

[for the love of white the white and neutral home rucker](#) - Feb 16 2022

web nov 7 2023 flashback sanders served as trump s first white house press secretary from 2017 to 2019 earlier this year trump was reportedly frustrated with sanders for her

for the love of white white neutral home by chrissie rucker - Apr 20 2022

web whether you live in a tiny city apartment a rambling country cottage or an elegant town house for the love of white offers the definitive book on decorating with white and

for the love of white the white and neutral home hardcover - Jun 22 2022

web for the love of white the white and neutral home rucker chrissie amazon com tr Çerez tercihlerinizi seçin Çerez bildirimimizde detaylandırıldığı üzere satın alın

[for the love of white the white and neutral home](#) - Mar 20 2022

web for the love of white the white neutral home create calming peaceful spaces in your home with white and neutral tones with the first home decorating book from the

[for the love of white the white neutral home amazon com](#) - Feb 28 2023

web hardcover 74 94 11 new from 74 94 create calming peaceful spaces in your home with white and neutral tones with the first home decorating book from the white company

arkansas gov sanders will endorse trump after all axios - Oct 15 2021

for the love of white the white neutral home - Nov 27 2022

web oct 22 2019 hardcover 40 00 ebook 25 99 view all available formats editions ship this item qualifies for free shipping choose expedited shipping at checkout for

[for the love of white the white and neutral home hardcover](#) - Sep 25 2022

web oct 22 2019 for the love of white the white and neutral home hardcover 22 oct 2019 by chrissie rucker author 4 7 3 241 ratings book 1 of 2 for the love of white

for the love of white the white and neutral home hardcover - Jan 18 2022

[for the love of white the white and neutral home amazon ca](#) - May 22 2022

web create calming peaceful spaces in the home with white and neutral tones with the first home decorating book from the white company published as this much loved brand

for the love of white the white and neutral home - Dec 29 2022

web details select delivery location in stock quantity buy now secure transaction ships from and sold by amazon ca add gift options buy used 44 99 have one to sell see all 7

for the love of white creating a home with white neutrals - Aug 05 2023

web from the founder of the white company chrissie rucker comes for the love of white the white neutral home a visual feast with a passion for all things white at its heart

for the love of white the white neutral home google books - Apr 01 2023

web sep 5 2019 hardcover 29 99 23 used from 24 25 30 new from 29 43 a capsule of calm this ode to pale interiors by the white company s founder chrissie rucker is

for the love of white the white neutral home projektowanie - Nov 15 2021

[for the love of white the white neutral home hardcover](#) - May 02 2023

web octopus sep 5 2019 architecture 256 pages 0 reviews reviews aren t verified but google checks for and removes fake content when it s identified a capsule of calm this

for the love of white the white and neutral home - Oct 07 2023

web oct 22 2019 graphic design enjoy fast free delivery exclusive deals and award winning movies tv shows with prime try prime and start saving today with fast

for the love of white the white neutral home - Sep 06 2023

web sep 5 2019 for the love of white the white neutral home chrissie rucker the white company 4 06 103 ratings9 reviews a capsule of calm this ode to pale interiors

for the love of white the white and neutral home hardcover - Aug 25 2022

web chrissie rucker obe started the white company in 1994 when unable to find welldesigned beautiful quality white bed linens that were also affordable she decided

for the love of white the white neutral home for the love of - Oct 27 2022

web mitchell beazley for the love of white the white neutral home chrissie rucker the company 2 reviews interior design decor style guides hardback sep 10 2019

for the love of white the white neutral home goodreads - Jun 03 2023

web home improvement design buy new 42 25 rrp 55 00 details save 12 75 23 free delivery on first order select delivery location in stock quantity add to cart buy

for the love of white the white neutral home kindle - Jan 30 2023

web for the love of white the white neutral home by chrissie rucker the white company author 3 003 a capsule of calm this ode to pale interiors by the white

the white company for the love of white the white - Jul 04 2023

web sep 5 2019 for the love of white the white neutral home chrissie white company 5 00 1 rating0 reviews the thing about white is that it goes with everything it is a canvas

for the love of white the white and neutral home hardcover - Dec 17 2021

impa catalogue 5th edition by marshawilson2538 issuu - Aug 23 2023

web aug 3 2017 impa catalogue 5th edition save this book to read impa catalogue 5th edition pdf ebook at our online library get impa catalogue 5th edition pdf file for free from our online library impa

book marine stores guide - Oct 13 2022

web advertise in the msg 8 th edition book limited slots available book now we are pleased to release the latest edition of the catalogue more than 6 000 codes have been added to the new edition meaning the msg now contains over 50 000 codes from suppliers around the world

[impa marine store guide 5th edition denizmagaza.com](#) - Jun 21 2023

web product details with over 39 000 codes the impa marine stores guide is the world s leading reference guide for maritime purchasing and supply the marine stores guide in its various forms has been in circulation since 1978 and during that time more than 70 000 copies have been printed

[impa catalogue 5th edition ead3 archivists.org](#) - Jun 09 2022

web oct 17 2023 impa catalogue 5th edition radio production robert mcleish 2015 09 16 radio production is for professionals and students interested in understanding the radio industry in today s ever changing world this book features up to date coverage of the purpose and use of radio with detailed coverage of current production

[impa catalogue 5th edition pivotid uvu.edu](#) - Feb 17 2023

web impa catalogue 5th edition decoding impa catalogue 5th edition revealing the captivating potential of verbal expression in an era characterized by interconnectedness and an insatiable thirst for knowledge the captivating potential of verbal expression has emerged as a formidable force

impa catalogue 5th edition post gazette blogs - May 08 2022

web reading this impa catalogue 5th edition will offer you more than people admire it will guide to know more than the people staring at you even now there are many sources to learning reading a collection yet becomes the first other as a good way why should be reading taking into consideration more it will

download pdf impa catalogue pdf klzz81x0eelg documents - Jan 16 2023

web download impa catalogue pdf type pdf date november 2019 size 705 5kb author danikakaurodrigues this document was uploaded by user and they confirmed that they have the permission to share it if you are author or own the copyright of this book please report to us by using this dmca report form report dmca

[impa 5th edition pdf pipe fluid conveyance rope scribd](#) - Jul 22 2023

web impa 5th edition free ebook download as pdf file pdf text file txt or read book online for free

[impa impa marine stores guide](#) - May 20 2023

web widely considered to be the world s leading reference source for maritime purchasing and supply the marine stores guide or msg is available in print and digital formats and helps purchasers and suppliers match and supply goods easily by using a unique six digit code to identify products exactly to an individual description

[impa catalogue full version download pdf pdf digital](#) - Nov 14 2022

web download google docs impa marine stores 5th edition impa marine stores guide 3rd ed free download as pdf file pdf text file txt or read of the catalogue now includes availability of materials under impa catalogue free download free impa catalogue free download software downloads full master resell

pub impa catalogue 5th edition free pdf pareng mik pte - Mar 06 2022

web aug 16 2023 impa catalogue 5th edition is easy to get to in our digital library an online access to it is set as public in view of that you can download it instantly our digital library saves in merged countries allowing you to get the most less latency period to download any of our books when this one

impa search all impa products impa consumables - Sep 24 2023

web the impa category products based on impa catalogue that split into sections for easy reference and these include many category of products this impa catalogue helps purchasers and suppliers match and supply goods easily by using a unique six digit code to identify products exactly to an individual description

home marine stores guide - Sep 12 2022

web first published in 1978 more than 110 000 copies in circulation used by 5 000 vessels 300 shipping companies includes 50 000 codes that have remained unchanged in 40 years a digital version u0003of the catalogue ms excel format updated every u0003six months simple quick and effective more than 50 000 products provided by suppliers

impa catalogue pdf fill online printable fillable blank pdffiller - Aug 11 2022

web impa catalogue pdf is an online catalogue of the international marine purchasing association impa which contains over 40 000 products and services from suppliers around the world the catalogue features detailed product information images and pricing information as well as contact information for suppliers

pdf impa marine stores guide pdf free download pdf - Jul 10 2022

web jul 17 2017 impa marine stores guide pdf jul 17 2017 author eldos777 category adhesive corrosion epoxy lubricant galvanization report this link download pdf

impa catalogue 5th edition doc download treca - Mar 18 2023

web impa catalogue 5th edition cutting edge heat transfer principles and design applications apply advanced heat transfer concepts to your chemical petrochemical and refining equipment designs using the detailed information contained in this comprehensive volume

impa code search by shipserv - Dec 15 2022

web free impa marine stores guide database look up or browse the code hierarchy

impa catalogue 5th edition pdf s3 vdocuments mx - Apr 19 2023

web feb 27 2018 read online now impa catalogue 5th edition ebook pdf at our library get impa catalogue 5th edition pdf file for free from ouronline library pdf file impa catalogue 5th edition here is the access download page of impa catalogue 5th edition pdf click this link todownload or read online impa catalogue 5th

get the free impa catalogue download pdf form pdffiller - Feb 05 2022

web 01 open the impa catalogue website in your preferred web browser 02 locate the download pdf button or link on the website 03 click on the button or link to initiate the download process 04 save the downloaded pdf file

impa catalogue 5th edition pdf old sectionvtrack - Apr 07 2022

web impa catalogue 5th edition unveiling the magic of words a report on impa catalogue 5th edition in a global defined by information and interconnectivity the enchanting power of words has acquired unparalleled significance their capability to kindle emotions provoke contemplation and ignite transformative change is really awe inspiring