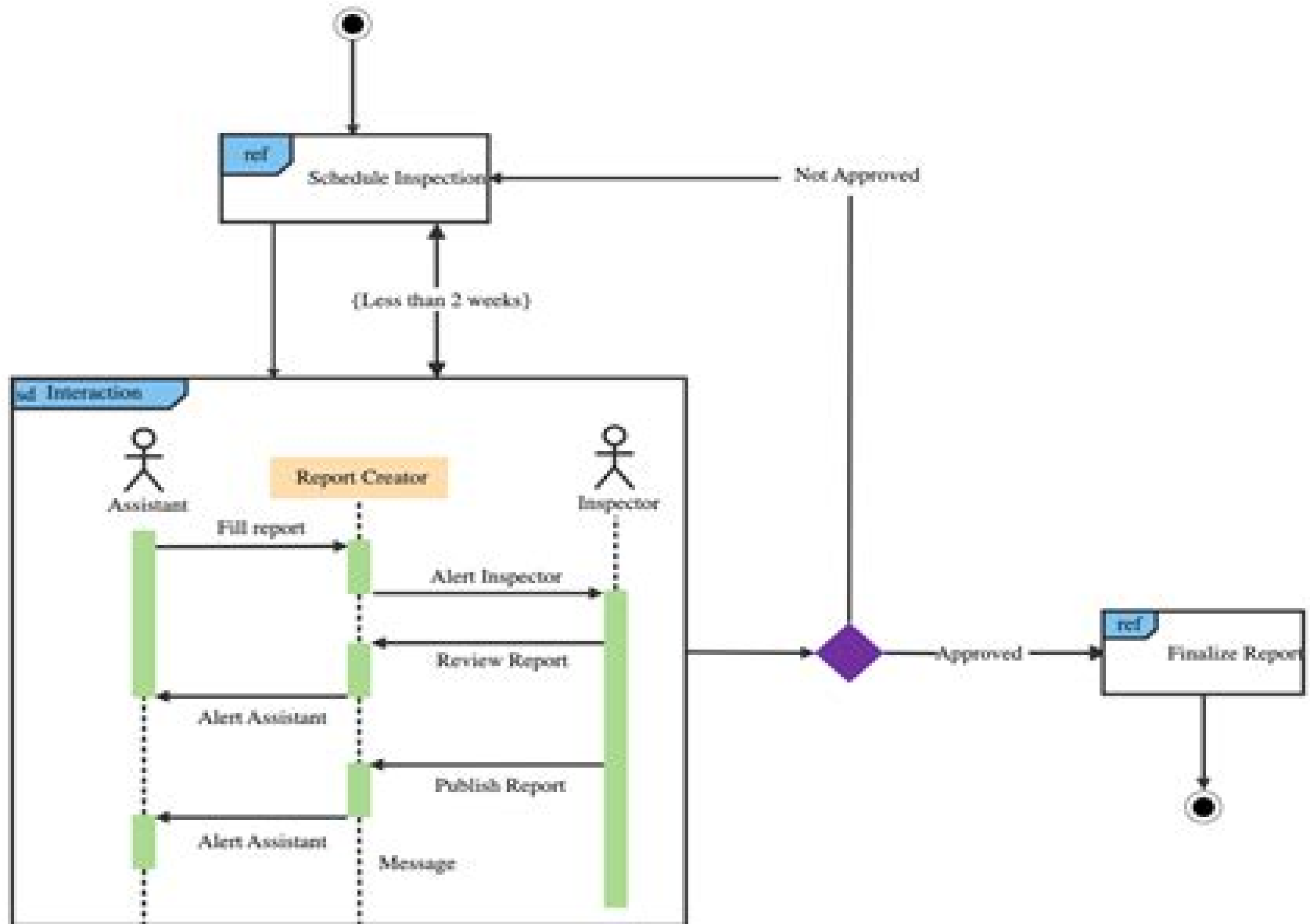


Dynamic Behaviour UML Interaction Diagram



Dynamic Behavior Of Processes

Christian G. Meyer



Dynamic Behavior Of Processes:

Process Dynamics D.P. Campbell,1963 **Dynamic Behavior of Processes** John C. Friedly,1972 Also about unsteady states conservation laws nonlinear responses partial differential equations **Process dynamics** Donald P. Campbell,1958

Process Dynamics Donald Pierce Campbell,1958 **Journal of Industrial Engineering and Management - Vol 2, No 3 (2009) , Dynamic Decision and Adjustment Processes in Commuter Behavior Under Real-time Information** Karthik K. Srinivasan,Hani S. Mahmassani,2002 Advanced Traveler Information Systems ATIS by providing real time traffic information can assist trip makers in selecting efficient travel choices and aid the attainment of desirable system goals including reduced costs and increased efficiencies The success of ATIS in achieving such goals critically depends on user behavior in response to information This research focuses on investigating dynamic aspects in commuter behavior under real time information A dynamic interactive travel behavior simulator that enables a consistent representation of the nonlinear time dependent interactions between network performance trip makers choices and information is used to observe trip maker behavior Using the simulator interactive experiments are conducted where a range of experimental factors including network loading day to day traffic evolution and ATIS information strategies are varied and the consequent trip maker behavior is observed Constituent models are proposed to analyze the choice dimensions of route departure time and compliance The dynamic kernel logit DKL formulation is presented for analyzing these data and its theoretical and computational suitability established The results confirm the significance of compliance and inertia as key mechanisms influencing route choice Departure time adjustments appear to be based on a sequential heuristic search Calibrated models also provide evidence of learning adjustment perception judgment and updating processes in trip maker behavior Empirical results indicate that real time information and time dependent network conditions are strong determinants of trip maker behavior in a commuting context The nature and quality of ATIS information accuracy and reliability the magnitude of network loading and its day to day evolution and users past traffic experience are important influences on how commuters select routes and departure times At the unobserved level general dynamic and stochastic patterns including heterogeneity state dependence habit persistence and correlations are present in trip makers decisions These substantive results have important implications for network state prediction travel demand forecasting design and evaluation of ATIS services and deployment of Intelligent Transportation System ITS programs User behavior models developed here can be integrated with dynamic network traffic assignment models to obtain more accurate system performance modeling capabilities with considerable applications in tactical and strategic system planning and traffic operations *Introduction to Process Control* Jose A. Romagnoli,Ahmet Palazoglu,2005-07-25 Improvements in software instrumentation and feedback control as well as deepening linkages between fundamental aspects of process technology have vastly changed the practice of industrial process control Newcomers to the field must have a strong understanding of the new demands and capabilities of modern

process control operations Reflecting these changes Introduction to Process Control infuses traditional topics with industry based practices that provide more integrated process operation control and information systems The authors adopt a thoughtfully conceived approach that follows a Continuing Problem throughout the text adding new concepts and strategies to the example which culminates in a complete control design strategy This fully realized system is implemented in MATLAB with software downloads available from the CRC Web site This approach not only provides seamless continuity but also addresses the plantwide control problem and engenders hands on step by step understanding of how the concepts apply to real processes The book introduces data processing and reconciliation along with process monitoring as integral components of overall control system architecture Along with an introduction to modern architectures of industrial computer control systems Introduction to Process Control offers unique and unparalleled coverage of the expanded role of process control in modern industry from modeling the process to implementing a plant wide system

Oxford Handbook of Personality Assessment James N. Butcher, 2009-07-14 One of the oldest of all psychological disciplines the field of personality assessment has seen no shortage of scientific study or scientific literature This Oxford Handbook provides a comprehensive perspective on the contemporary practice of personality assessment including its historical developments underlying methods applications contemporary issues and assessment techniques The Oxford Handbook of Personality Assessment details both the historical roots of personality assessment and the evolution of its contemporary methodological tenets This provides the foundation for the handbook s other major focus the application of personality assessment in clinical personnel and forensic assessments This handbook will serve as an authoritative and field encompassing resource for researchers and clinicians from across the medical health and psychology disciplines i e clinical psychology psychiatry social work etc and would be an ideal text for any graduate course on the topic of personality assessment

Advances in Abstract Intelligence and Soft Computing Wang, Yingxu, 2012-12-31 Continuous developments in software and intelligence sciences have brought together the studies of both natural and machine intelligence and the relationship between the function of the brain and the abstract soft mind creating a new multidisciplinary field of study Advances in Abstract Intelligence and Soft Computing brings together the latest research in computer science theoretical software engineering cognitive science and informatics and also their influence on the processes of natural and machine intelligence This book is a collection of widespread research in the constant expansions on this emerging discipline

An Introduction to Process Dynamics and Control Thomas W. Weber, 1973 A Wiley Interscience publications

Intelligent Systems for Engineering Ram D. Sriram, 2012-12-06 When men of knowledge impart this knowledge I do not mean they will convince your reason I mean they will awaken in you the faith that it is so Sri Krishna Bhagavadgita BACKGROUND The use of computers has led to significant productivity increases in the engineering industry Most of the computer aided engineering applications were restricted to algorithmic computations such as finite element programs and circuit analysis programs However a number of problems encountered in engineering

are not amenable to purely algorithmic solutions These problems are often ill structured the term ill structured problems is used here to denote problems that do not have a clearly defined algorithmic solution An experienced engineer deals with these ill structured problems using his/her judgment and experience The knowledge based systems KBS technology which emerged out of research in artificial intelligence AI offers a methodology to solve these ill structured engineering problems The emergence of the KBS technology can be viewed as the knowledge revolution other important events that led to increased productivity are the industrial revolution 17th century the invention of the transistor and associated developments first half of the 20th century and the world wide web towards the end of the 20th century Kurzweil in a lecture at MIT on December 3 1987 linked the progress of automation to two industrial revolutions the first industrial revolution leveraged our physical capabilities whereas the second industrial revolution the knowledge revolution is expected to leverage our mental capabilities

Process Dynamics B. Wayne Bequette, 1998 Suitable as a text for Chemical Process Dynamics or Introductory Chemical Process Control courses at the junior/senior level This book aims to provide an introduction to the modeling analysis and simulation of the dynamic behavior of chemical processes *Process Dynamics and Control* Dale E. Seborg, Duncan A. Mellichamp, Thomas F. Edgar, Francis J. Doyle, III, 2010-04-12 This third edition provides chemical engineers with process control techniques that are used in practice while offering detailed mathematical analysis Numerous examples and simulations are used to illustrate key theoretical concepts New exercises are integrated throughout several chapters to reinforce concepts Up to date information is also included on real time optimization and model predictive control to highlight the significant impact these techniques have on industrial practice And chemical engineers will find two new chapters on biosystems control to gain the latest perspective in the field

Heliophysical Processes and Magnetospheric Dynamics N. Gopalswamy, M. A. Shea, 2008 AICHE Symposium Series American Institute of Chemical Engineers, 1971 The Handbook of Brain Theory and Neural Networks Michael A. Arbib, 2003 This second edition presents the enormous progress made in recent years in the many subfields related to the two great questions how does the brain work and How can we build intelligent machines This second edition greatly increases the coverage of models of fundamental neurobiology cognitive neuroscience and neural network approaches to language Midwest

U.S. Government Research & Development Reports, 1970 *Dynamics for Process and System Control* Wen-Jei Yang, Masami Masubuchi, 1970 May 1991 Proceedings of Rutgers' Conference on Computer Integrated Manufacturing in the Process Industries Thomas O. Boucher, M. A. Jafari, Elsayed A. Elsayed, 1994 Dynamic Behavior of Linear, Coupled, Chemical Processes John Ulrich Beusch, 1962

Dynamic Behavior Of Processes Book Review: Unveiling the Power of Words

In a global driven by information and connectivity, the power of words has become more evident than ever. They have the capacity to inspire, provoke, and ignite change. Such is the essence of the book **Dynamic Behavior Of Processes**, a literary masterpiece that delves deep in to the significance of words and their affect our lives. Published by a renowned author, this captivating work takes readers on a transformative journey, unraveling the secrets and potential behind every word. In this review, we shall explore the book is key themes, examine its writing style, and analyze its overall affect readers.

https://autodiscover.cruiselady.com/book/book-search/Download_PDFS/Chip%20Hilton%20Starter%20Pack%20Touchdown%20Pass%20Championship%20Ball%20And%20Strike%20Three%203%20Set.pdf

Table of Contents Dynamic Behavior Of Processes

1. Understanding the eBook Dynamic Behavior Of Processes
 - The Rise of Digital Reading Dynamic Behavior Of Processes
 - Advantages of eBooks Over Traditional Books
2. Identifying Dynamic Behavior Of Processes
 - Exploring Different Genres
 - Considering Fiction vs. Non-Fiction
 - Determining Your Reading Goals
3. Choosing the Right eBook Platform
 - Popular eBook Platforms
 - Features to Look for in an Dynamic Behavior Of Processes
 - User-Friendly Interface
4. Exploring eBook Recommendations from Dynamic Behavior Of Processes
 - Personalized Recommendations
 - Dynamic Behavior Of Processes User Reviews and Ratings
 - Dynamic Behavior Of Processes and Bestseller Lists

5. Accessing Dynamic Behavior Of Processes Free and Paid eBooks
 - Dynamic Behavior Of Processes Public Domain eBooks
 - Dynamic Behavior Of Processes eBook Subscription Services
 - Dynamic Behavior Of Processes Budget-Friendly Options
6. Navigating Dynamic Behavior Of Processes eBook Formats
 - ePub, PDF, MOBI, and More
 - Dynamic Behavior Of Processes Compatibility with Devices
 - Dynamic Behavior Of Processes Enhanced eBook Features
7. Enhancing Your Reading Experience
 - Adjustable Fonts and Text Sizes of Dynamic Behavior Of Processes
 - Highlighting and Note-Taking Dynamic Behavior Of Processes
 - Interactive Elements Dynamic Behavior Of Processes
8. Staying Engaged with Dynamic Behavior Of Processes
 - Joining Online Reading Communities
 - Participating in Virtual Book Clubs
 - Following Authors and Publishers Dynamic Behavior Of Processes
9. Balancing eBooks and Physical Books Dynamic Behavior Of Processes
 - Benefits of a Digital Library
 - Creating a Diverse Reading Collection Dynamic Behavior Of Processes
10. Overcoming Reading Challenges
 - Dealing with Digital Eye Strain
 - Minimizing Distractions
 - Managing Screen Time
11. Cultivating a Reading Routine Dynamic Behavior Of Processes
 - Setting Reading Goals Dynamic Behavior Of Processes
 - Carving Out Dedicated Reading Time
12. Sourcing Reliable Information of Dynamic Behavior Of Processes
 - Fact-Checking eBook Content of Dynamic Behavior Of Processes
 - Distinguishing Credible Sources
13. Promoting Lifelong Learning

- Utilizing eBooks for Skill Development
 - Exploring Educational eBooks
14. Embracing eBook Trends
- Integration of Multimedia Elements
 - Interactive and Gamified eBooks

Dynamic Behavior Of Processes Introduction

Free PDF Books and Manuals for Download: Unlocking Knowledge at Your Fingertips In today's fast-paced digital age, obtaining valuable knowledge has become easier than ever. Thanks to the internet, a vast array of books and manuals are now available for free download in PDF format. Whether you are a student, professional, or simply an avid reader, this treasure trove of downloadable resources offers a wealth of information, conveniently accessible anytime, anywhere. The advent of online libraries and platforms dedicated to sharing knowledge has revolutionized the way we consume information. No longer confined to physical libraries or bookstores, readers can now access an extensive collection of digital books and manuals with just a few clicks. These resources, available in PDF, Microsoft Word, and PowerPoint formats, cater to a wide range of interests, including literature, technology, science, history, and much more. One notable platform where you can explore and download free Dynamic Behavior Of Processes PDF books and manuals is the internet's largest free library. Hosted online, this catalog compiles a vast assortment of documents, making it a veritable goldmine of knowledge. With its easy-to-use website interface and customizable PDF generator, this platform offers a user-friendly experience, allowing individuals to effortlessly navigate and access the information they seek. The availability of free PDF books and manuals on this platform demonstrates its commitment to democratizing education and empowering individuals with the tools needed to succeed in their chosen fields. It allows anyone, regardless of their background or financial limitations, to expand their horizons and gain insights from experts in various disciplines. One of the most significant advantages of downloading PDF books and manuals lies in their portability. Unlike physical copies, digital books can be stored and carried on a single device, such as a tablet or smartphone, saving valuable space and weight. This convenience makes it possible for readers to have their entire library at their fingertips, whether they are commuting, traveling, or simply enjoying a lazy afternoon at home. Additionally, digital files are easily searchable, enabling readers to locate specific information within seconds. With a few keystrokes, users can search for keywords, topics, or phrases, making research and finding relevant information a breeze. This efficiency saves time and effort, streamlining the learning process and allowing individuals to focus on extracting the information they need. Furthermore, the availability of free PDF books and manuals fosters a culture of continuous learning. By removing financial barriers, more people can access educational resources and pursue lifelong learning, contributing to

personal growth and professional development. This democratization of knowledge promotes intellectual curiosity and empowers individuals to become lifelong learners, promoting progress and innovation in various fields. It is worth noting that while accessing free Dynamic Behavior Of Processes PDF books and manuals is convenient and cost-effective, it is vital to respect copyright laws and intellectual property rights. Platforms offering free downloads often operate within legal boundaries, ensuring that the materials they provide are either in the public domain or authorized for distribution. By adhering to copyright laws, users can enjoy the benefits of free access to knowledge while supporting the authors and publishers who make these resources available. In conclusion, the availability of Dynamic Behavior Of Processes free PDF books and manuals for download has revolutionized the way we access and consume knowledge. With just a few clicks, individuals can explore a vast collection of resources across different disciplines, all free of charge. This accessibility empowers individuals to become lifelong learners, contributing to personal growth, professional development, and the advancement of society as a whole. So why not unlock a world of knowledge today? Start exploring the vast sea of free PDF books and manuals waiting to be discovered right at your fingertips.

FAQs About Dynamic Behavior Of Processes Books

How do I know which eBook platform is the best for me? Finding the best eBook platform depends on your reading preferences and device compatibility. Research different platforms, read user reviews, and explore their features before making a choice. Are free eBooks of good quality? Yes, many reputable platforms offer high-quality free eBooks, including classics and public domain works. However, make sure to verify the source to ensure the eBook credibility. Can I read eBooks without an eReader? Absolutely! Most eBook platforms offer webbased readers or mobile apps that allow you to read eBooks on your computer, tablet, or smartphone. How do I avoid digital eye strain while reading eBooks? To prevent digital eye strain, take regular breaks, adjust the font size and background color, and ensure proper lighting while reading eBooks. What the advantage of interactive eBooks? Interactive eBooks incorporate multimedia elements, quizzes, and activities, enhancing the reader engagement and providing a more immersive learning experience. Dynamic Behavior Of Processes is one of the best book in our library for free trial. We provide copy of Dynamic Behavior Of Processes in digital format, so the resources that you find are reliable. There are also many Ebooks of related with Dynamic Behavior Of Processes. Where to download Dynamic Behavior Of Processes online for free? Are you looking for Dynamic Behavior Of Processes PDF? This is definitely going to save you time and cash in something you should think about. If you trying to find then search around for online. Without a doubt there are numerous these available and many of them have the freedom. However without doubt you receive whatever you purchase. An alternate way to get ideas is always to check another Dynamic Behavior Of Processes.

This method for see exactly what may be included and adopt these ideas to your book. This site will almost certainly help you save time and effort, money and stress. If you are looking for free books then you really should consider finding to assist you try this. Several of Dynamic Behavior Of Processes are for sale to free while some are payable. If you arent sure if the books you would like to download works with for usage along with your computer, it is possible to download free trials. The free guides make it easy for someone to free access online library for download books to your device. You can get free download on free trial for lots of books categories. Our library is the biggest of these that have literally hundreds of thousands of different products categories represented. You will also see that there are specific sites catered to different product types or categories, brands or niches related with Dynamic Behavior Of Processes. So depending on what exactly you are searching, you will be able to choose e books to suit your own need. Need to access completely for Campbell Biology Seventh Edition book? Access Ebook without any digging. And by having access to our ebook online or by storing it on your computer, you have convenient answers with Dynamic Behavior Of Processes To get started finding Dynamic Behavior Of Processes, you are right to find our website which has a comprehensive collection of books online. Our library is the biggest of these that have literally hundreds of thousands of different products represented. You will also see that there are specific sites catered to different categories or niches related with Dynamic Behavior Of Processes So depending on what exactly you are searching, you will be able to choose ebook to suit your own need. Thank you for reading Dynamic Behavior Of Processes. Maybe you have knowledge that, people have search numerous times for their favorite readings like this Dynamic Behavior Of Processes, but end up in harmful downloads. Rather than reading a good book with a cup of coffee in the afternoon, instead they juggled with some harmful bugs inside their laptop. Dynamic Behavior Of Processes is available in our book collection an online access to it is set as public so you can download it instantly. Our digital library spans in multiple locations, allowing you to get the most less latency time to download any of our books like this one. Merely said, Dynamic Behavior Of Processes is universally compatible with any devices to read.

Find Dynamic Behavior Of Processes :

chip hilton starter pack touchdown pass championship ball and strike three 3 set

chinese studies

choose your own mantra

[choose costa rica for retirement](#)

[choice theory a very short introduction](#)

chinese flora and fauna designs

chocolate covered cherries esther prices memoirs

choix de fabliaux les clabiques franasais du moyen age

choy lay fut kungfu

christ our life we worship perform a text 5

choosing a faith

chocolate choices universal principles of managin

~~choice recipes~~

chogun wang ja prince korean

~~choix rationnel et vie publique~~

Dynamic Behavior Of Processes :

intellectual disability in the twentieth century google books - Nov 27 2022

web jan 20 2021 walmsley jan jarrett simon policy press jan 20 2021 social science 224 pages with contributions from distinguished authors in 14 countries across 5 continents this book provides a

intellectual disability in the twentieth century de gruyter - Feb 28 2023

web intellectual disability in the twentieth century transnational perspectives on people policy and practice disability age and sexuality cover design by robin hawes front cover image istock by cpi group uk ltd croydon cr0 4yy policy press uses environmentally responsible print partners title intellectual disability in the

four intellectual disability in twentieth century ghana - Feb 16 2022

web apr 27 2022 recognition of intellectual disability and lack of visible presence of people with intellectual disability in ghana throughout the twentieth century there seems to have been little visible presence of persons with intellectual disability

full article intellectual disability in the twentieth century - Jul 04 2023

web sep 27 2021 this book offers a unique opportunity to have a double perspective of the history of intellectual disability in the period studied on the one hand it allows us to explore specific practices aimed at people with intellectual disabilities according to the historical political and cultural context of each country on the other hand it helps to

intellectual disability in the twentieth century transnational - Jun 03 2023

web may 23 2019 this book provides a transnational perspective on intellectual disability in the twentieth century with contributions from distinguished authors in 14 countries across 5 continents each chapter outlines policies and practice from the featured nation

policy press intellectual disability in the twentieth century - Aug 25 2022

web intellectual disability in the twentieth century transnational perspectives on people policy and practice bringing together

accounts of how intellectual disability was viewed managed and experienced in countries across the globe the book examines the origins and nature of contemporary attitudes policy and practice and sheds light on the

intellectual disability in the twentieth century transnational - Dec 29 2022

web with contributions from distinguished authors in 14 countries across 5 continents this book provides a unique transnational perspective on intellectual disability

intellectual disability policy and practice in twentieth century - Jul 24 2022

web the story of intellectual disability in the uk in the twentieth century mirrors other english speaking countries the century began with a loud clamour about a eugenic threat and a consensus that segregation in institutions was the answer

intellectual disability in the twentieth century transnational - May 02 2023

web with contributions from distinguished authors in 14 countries across 5 continents this book provides a unique transnational perspective on intellectual disability in the twentieth century each chapter outlines different policies and practices and details real life accounts from those living with intellectual disabilities to illustrate their

introduction intellectual disability in the twentieth century - Jan 30 2023

web apr 27 2022 six intellectual disability in hong kong then and now seven people with intellectual disabilities in the european semi periphery the case of hungary eight people with intellectual disabilities in iceland in the twentieth century sterilisation social role valorisation and normal life nine institutionalisation in twentieth century new

intellectual disability in the twentieth century transnational - Sep 06 2023

web gertraud kremsner oliver koenig and tobias buchner jstor org stable j.ctvh9w18w.6 this chapter focuses on how historical and contemporary influences have affected the development of policy and practice of services for people with intellectual disabilities in austria

introduction intellectual disability in the twentieth century - Oct 27 2022

web no history of intellectual disability in the twentieth century can be written without acknowledgement of the influence of the science of eugenics meaning well born in greek first framed by darwin's half cousin francis galton in 1863 it advocated that degeneration of the racial stock in advanced countries was caused by

project muse intellectual disability in the twentieth century - Sep 25 2022

web with contributions from distinguished authors in 14 countries across 5 continents this book provides a unique transnational perspective on intellectual disability in the twentieth century each chapter outlines different policies and practices and details real life accounts from those living with intellectual disabilities to illustrate their

paradoxical lives intellectual disability policy and practice in - May 22 2022

web apr 27 2022 one paradoxical lives intellectual disability policy and practice in twentieth century australia two tracing

the historical and ideological roots of services for people with intellectual disabilities in austria three time of paradoxes what the twentieth century was like for people with intellectual disabilities living in czechoslovakia

intellectual disability in the twentieth century - Oct 07 2023

web select eight people with intellectual disabilities in iceland in the twentieth century sterilisation social role valorisation and normal life

intellectual disability policy and practice in twentieth century - Jun 22 2022

web this chapter attempts an overview of the dense and complex history of intellectual disability in the united kingdom in the twentieth century inevitably much of it focuses on legislation and policy emanating from the dominant westminster parliament and its civil service apparatus

chapter 5 history of intellectual disabilities emerald insight - Apr 20 2022

web jan 28 2011 we open with a brief prologue of the representations of the intellectual disability in popular culture and its potential impact on perceptions of persons with intellectual disability citation mutua k siders j and bakken j p 2011 chapter 5 history of intellectual disabilities rotatori a f obiakor f e and bakken j p ed

intellectual disability in the twentieth century sciencegate - Mar 20 2022

web find the latest published papers in intellectual disability in the twentieth century top authors related hot topics the most cited papers and related journals

intellectual disability in the twentieth century transnational - Aug 05 2023

web oct 18 2022 intellectual disability in the twentieth century transnational perspectives on people policy and practice by jan walmsley and simon jarrett eds bristol policy press 2019 224 pages 26 99 pbk 79 99 hcv 26 99 ebk isbn 978 1447344599

intellectual disability in the twentieth century transnational - Apr 01 2023

web oct 24 2023 semantic scholar extracted view of intellectual disability in the twentieth century transnational perspectives on people policy and practice by janwalmsley and simonjarrett london policy press 2021 isbn 978 1447344599 by shu wan

libros de texto historia del arte ecir milanuncios com - Dec 26 2021

web a 15 libro de historia del arte de la editorial ecir de 2 de bachillerato solo acepto pago por bizum o en metalico y no hago envio

historia del arte 2 bachillerato ecir pdf ams istanbul edu - Aug 14 2023

web historia del arte 2 bachillerato ecir 1 historia del arte 2 bachillerato ecir historia del arte 2º bachillerato domingo roa mi magnifico profesor hist del arte 2º

historia del arte 2 bachillerato ecir pdf uniport edu - Dec 06 2022

web jul 23 2023 historia del arte 2 bachillerato ecir 2 5 downloaded from uniport edu ng on july 23 2023 by guest political life of spain from prehistoric times to the present host

programación didáctica 2º bachillerato historia - Jan 07 2023

web ies la serna departamento de geografía e historia 2º bachillerato historia del arte curso 2020 2021 1 introducción marco legal a la hora de

historia del arte 2 bachillerato ecir pdf ams istanbul edu - Jun 12 2023

web historia del arte 2 2º bachillerato vv aa comprar historia del arte para 2º de bachillerato rediris pdf historia del arte 2 bachillerato santillana 2016

historia del arte 2 bachillerato ecir full pdf ams istanbul edu - Apr 10 2023

web historia del arte 2 bachillerato ecir historia del arte 2 bachillerato andalucía materia de letras historia del arte libro historia del arte bachillerato aula 3d

historia del arte 2 bachillerato ecir pdf download only - Aug 02 2022

web historia del arte 2 bachillerato ecir pdf upload mita k murray 1 4 downloaded from voto uncal edu br on august 30 2023 by mita k murray historia del arte 2 bachillerato

historia del arte 2 bachillerato ecir pdf uniport edu - Nov 05 2022

web jul 22 2023 historia del arte 2 bachillerato ecir 2 5 downloaded from uniport edu ng on july 22 2023 by guest s oferta es insuficient no es pot entendre i viure el món hui des

historia del arte 2 bachillerato ecir copy mcf strathmore - Feb 25 2022

web isbn 8467587180 nombre de archivo historia del arte 2 bachillerato savia 9788467587180 pdf fecha de lanzamiento august 24 2016 nombre de las páginas

historia del arte 2º de bachillerato contenidos para - Jan 27 2022

web en esta sección encontrarás todo el contenido de la materia el programa de la asignatura los bloques y los temas del contenido correspondiente al temario de historia del arte

historia del arte 2º de bachillerato bachillerato a distancia - Oct 24 2021

web este libro pensado para el estudio de las materias de historia del arte del bachillerato y especialmente dirigido al alumnado de la modalidad a distancia enseña a percibir el

2023 exámenes historia del arte 2 bachillerato prueba de - Nov 24 2021

web exámenes historia del arte 2 bachillerato resueltos soluciones se deja para descargar en pdf y abrir online exámenes historia del arte 2 bachillerato con todas las

historia del arte 2º bach ecir con isbn - Jul 13 2023

web compra el libro historia del arte 2º bach ecir con isbn 9788470654985 al mejor precio en casa del libro descubre envíos gratis y rápidos

historia del arte 2 bachillerato ecir - Feb 08 2023

web historia del arte 2 bachillerato ecir vle bristolfreeschool org uk download resources libros españoles 1979 el modelo fractal holográfico alejandro troyán 2015 09 03 es

historia del arte 2 bachillerato ecir - May 31 2022

web historia del arte 2 bachillerato ecir historia del arte 2º bach apr 07 2022 el libro y el cd rom que componen este material incluyen todos los contenidos de la asignatura

historia del arte 2 bachillerato ecir copy opendoors cityandguilds - Jul 01 2022

web nombre de archivo historia del arte 2 bachillerato savia 9788467587180 pdf fecha de lanzamiento august 24 2016

nombre de las páginas 472 pages autor fernando de

historia del arte 2 bachillerato ecir palletized like - Sep 03 2022

web historia del arte 2 bachillerato ecir pdf historia del arte 2 bachillerato santillana 2016 historia del arte 2º de bachillerato contenidos para 2020

historia del arte 2 bachillerato ecir thor byteorbit - Oct 04 2022

web isbn 8467587180 nombre de archivo historia del arte 2 bachillerato savia 9788467587180 pdf fecha de lanzamiento august 24 2016 nombre de las páginas

apuntes arte 2º bachillerato antonio calero google - May 11 2023

web 2 arte de la prehistoria 3 arte egipcio 4 arte griego 4 bis arte griego curso 17 18 5 arte romano 5 bis arte romano curso 17 18 6 arte paleocristiano y bizantino 6 bis arte

historia del arte 2 bach 2013 9788498266474 librería - Apr 29 2022

web may 1 2013 el autor de historia del arte 2 bach 2013 con isbn 978 84 9826 647 4 es aavv esta publicación tiene quinientas diecinueve páginas este título lo edita

temario historia del arte 2 bachillerato 2023 - Mar 09 2023

web temario historia del arte 2 bachillerato hemos subido para descargar o consultar online temario historia del arte 2 bachillerato actualizados completos con explicaciones

historia del arte 2 bachillerato ecir julie reeves - Mar 29 2022

web historia del arte 2 bachillerato ecir right here we have countless book historia del arte 2 bachillerato ecir and collections to check out we additionally have enough

historia del arte 2 bachillerato ecir mcf strathmore - Sep 22 2021

web arte historia del arte 2 bachillerato artes escénicas 2º bachillerato ministerio de educación este libro consta de 12 unidades divididas en cuatro bloques teórico

marriage built to last dvd pdf wp publish - Sep 20 2022

web jun 21 2023 a marriage built to last 12 studies on 6 dvd s many marriages today are under severe strain and if we re honest with ourselves most of us can easily identify with

get a life media ministries watch video - Apr 27 2023

web find helpful customer reviews and review ratings for marriage built to last kit at amazon com read honest and unbiased product reviews from our users

amazon com marriage built to last vol 1 trailer youtube - Mar 27 2023

web built to last the courtship that leads to a lasting marriage by aggrey solomon derek aggrey solomon selgelia and a great selection of related books marriage built to

amazon com customer reviews marriage built to last kit - Feb 23 2023

web marriage built to last dvd 1 10 downloaded from staging friends library org on december 2 2022 by guest marriage built to last dvd eventually you will unquestionably

amazon com a marriage built to last volume 2 save your - Jan 13 2022

marriage built to last dvd help environment harvard edu - Mar 15 2022

web marriage built to last workbook unknown binding 5 0 3 ratings ships directly from amazon publisher bluefish tv isbn 10 1572752084 isbn 13 978 1572752085 see

marriage built to last dvd chip ingram secure4 khronos - May 17 2022

web god never said that it would be easy he just said it s going to take some time and lots of work and if we ll just get back to god s plan for marriage then we re well on our way to

marriage built to last dvd 2023 cyberlab sutd edu sg - Apr 15 2022

web find a marriage built to last volume 2 save your marriage 6 dvd s at amazon com movies tv home of thousands of titles on dvd and blu ray

marriage built to last workbook amazon com - Dec 12 2021

a marriage built to last get a life ministries inc - Feb 11 2022

marriage built to last abebooks - Dec 24 2022

web enter the realm of marriage built to last dvd a mesmerizing literary masterpiece penned by way of a distinguished author guiding readers on a profound journey to

a marriage built to last book dvd combo get a - Sep 01 2023

web because contrary to popular belief marriages aren't made in heaven they're made right here on earth in the light of this truth a marriage built to last is a book that looks at

a marriage built to last the prophecy watchers - Jun 29 2023

web and if we'll just get back to God's plan for marriage then we're well on our way to having a marriage built to last watch video download video listen get the dvd

marriage built to last dvd secure4 khronos - Jun 17 2022

web marriage study guide dvd harvest bible chapel 2017 07 God made marriage and everything he makes is very good the best in marriage only comes through the one

marriage built to last dvd secure4 khronos - Jul 19 2022

web marriage built to last dvd the five temptations of a CEO Jul 09 2020 a commemorative edition of the landmark book from Patrick Lencioni when it was

marriage built to last dvd staging friends library - Nov 22 2022

web marriage built to last dvd chip Ingram Sacred Marriage Bible Study Participant's Guide Sacred Marriage Participant's Guide with dvd saving your marriage before it starts

marriage built to last rightnow media - Oct 02 2023

web amazon.com a marriage built to last volume 1 save your marriage 6 dvd's movies tv

a marriage built to last volume 1 save your marriage 6 dvd's - Jul 31 2023

web buy a marriage built to last volume 2 save your marriage 6 dvd's from Amazon's Movies Store everyday low prices and free delivery on eligible orders a marriage built

marriage built to last dvd chip Ingram copy helpdesk bricksave - Aug 20 2022

web marriage built to last dvd chip Ingram and countless books assortments from fictions to scientific research in any way it is your surely own age to demonstrate assessing tradition

marriage built to last text book centre - Jan 25 2023

web Mar 1 2001 immersion dvd author's note when I first got my hands on immersion the new dvd audio from the Colorado based Starkland I was disappointed to find that there

a marriage built to last volume 2 save your marriage 6 dvd's - May 29 2023

web Jul 30 2009 a marriage built to last vol 1 volume 1 6 dvd set many marriages today are under severe strain if we'll just

get back to gods original plan for marriage th

new music and dvd audio a marriage built to last - Oct 22 2022

web jun 22 2023 marriage built to last dvd marriage built to last dvd along with tutorials you could relish the now is

marriage built to last dvd below our electronic library